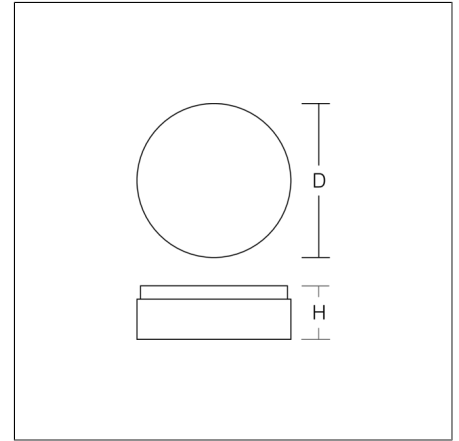


Ceiling and wall luminaires
4010319025942
D 230, H 110

Ceiling mounting, Wall (surface)
white



Round surface-mounted luminaire in classic design. Base: plastic. Opal glass: mouth-blown, satin finish. Diffuser fastening: spring system. Suitable for Ceiling mounting, Wall (surface). IP 43 ceiling mounting, IP 44 wall mounting.

Product specifications

Diameter D	230 mm
Height H	110 mm
Weight	0.98 kg
Light source	1 x A60 max. 75 W, E27
Rated luminous flux	570 lm
System power	57 W
System efficiency	10 lm/W
Glare evaluation UGR (4H 8H)	16,7
Beam angle	down 154° up 180°
Driver	Not necessary
Control	on/off
Voltage	0 - 250 V / 0 - 60 Hz
CIE Flux Code / CEN Flux Code	34 63 85 71 62
Type of protection	IP 43 ceiling mounting IP 44 wall mounting
Protection class	II
Filament test	960°C - 30 seconds
Impact resistance	IK02
Ambient temperature	25 °C
Test marks	ENEC, VDE
Conformity mark	CE, EAC

Spareparts



05-21101
Replacement glass