

# PHILIPS

UID8470/10

Wireless switch, dim



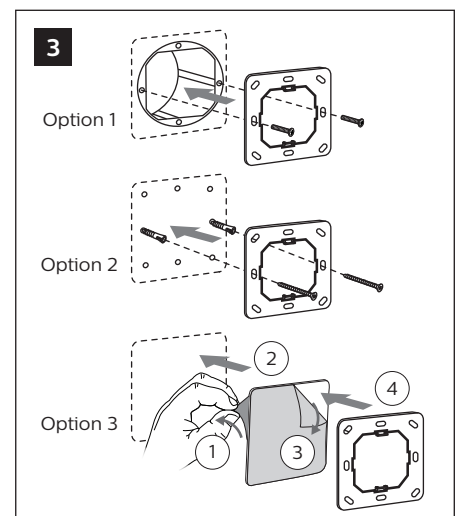
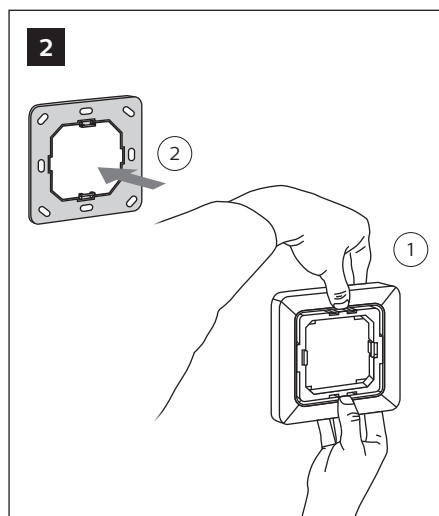
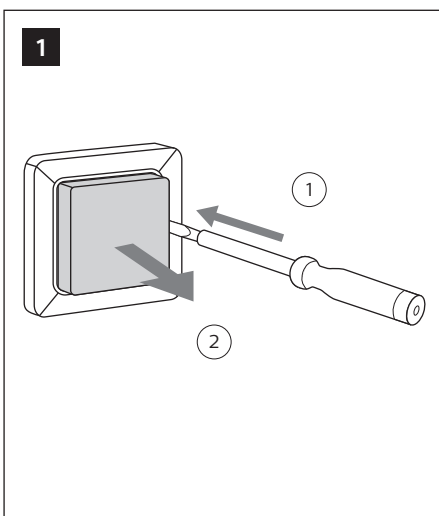
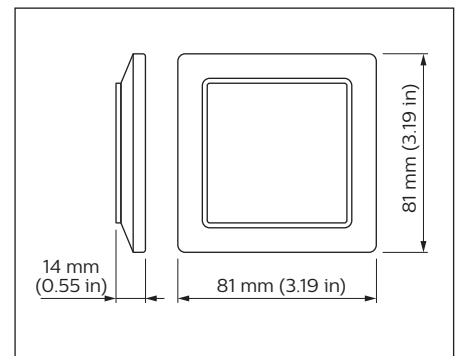
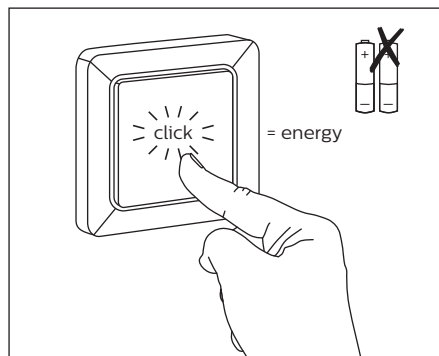
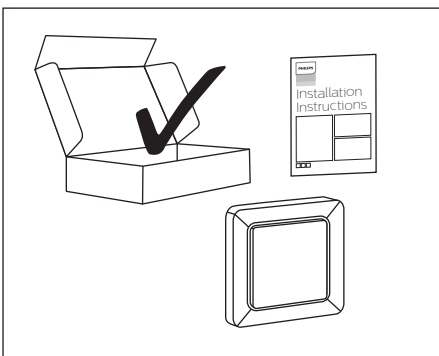
## Installation Instructions

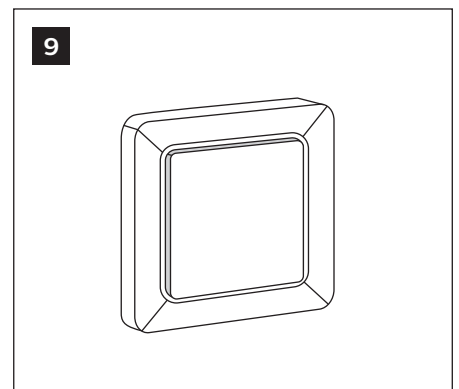
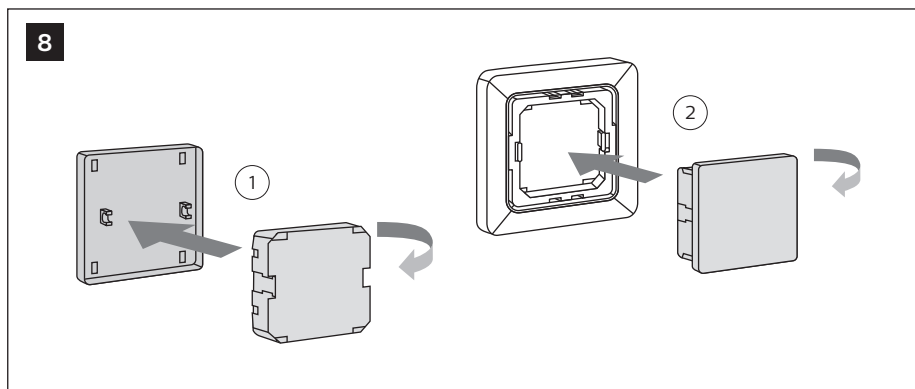
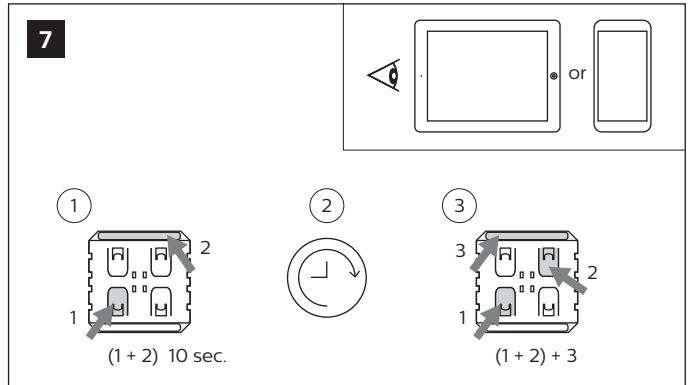
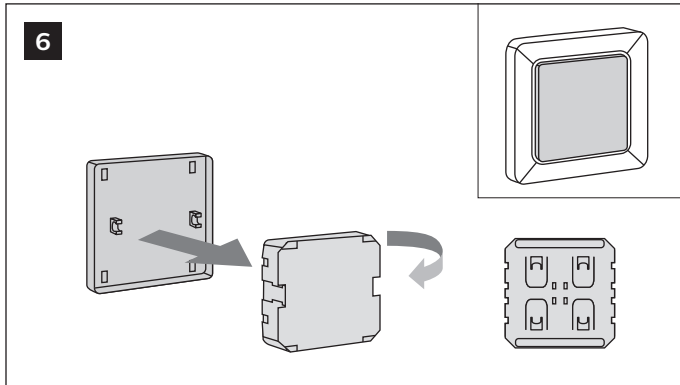
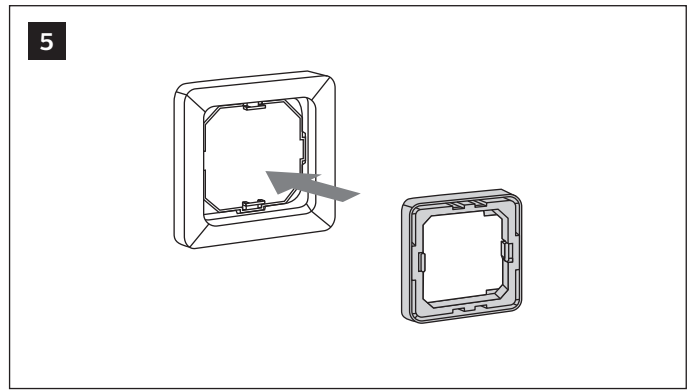
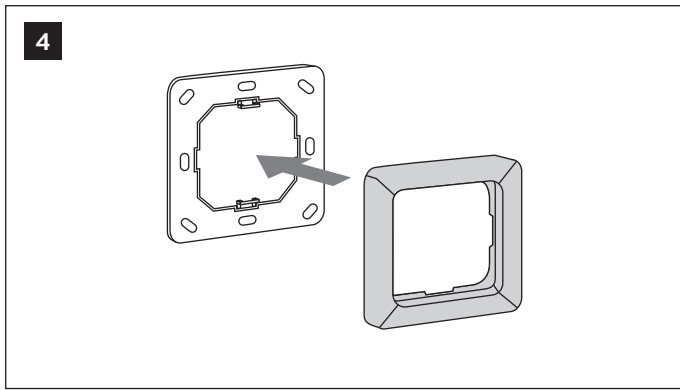
Instructions d'installation  
Instrucciones de instalación

Istruzioni per l'installazione  
Installatie-instructies

Installationsanweisungen  
インストール手順

安裝指示书  
إرشادات التركيب





Hereby, Signify declares that the radio equipment type UID8470/10 is in compliance with Directive 2014/53/EU. The full text of the EU declaration of conformity is available at the following Internet address:  
<http://www.philips.com/red>

