

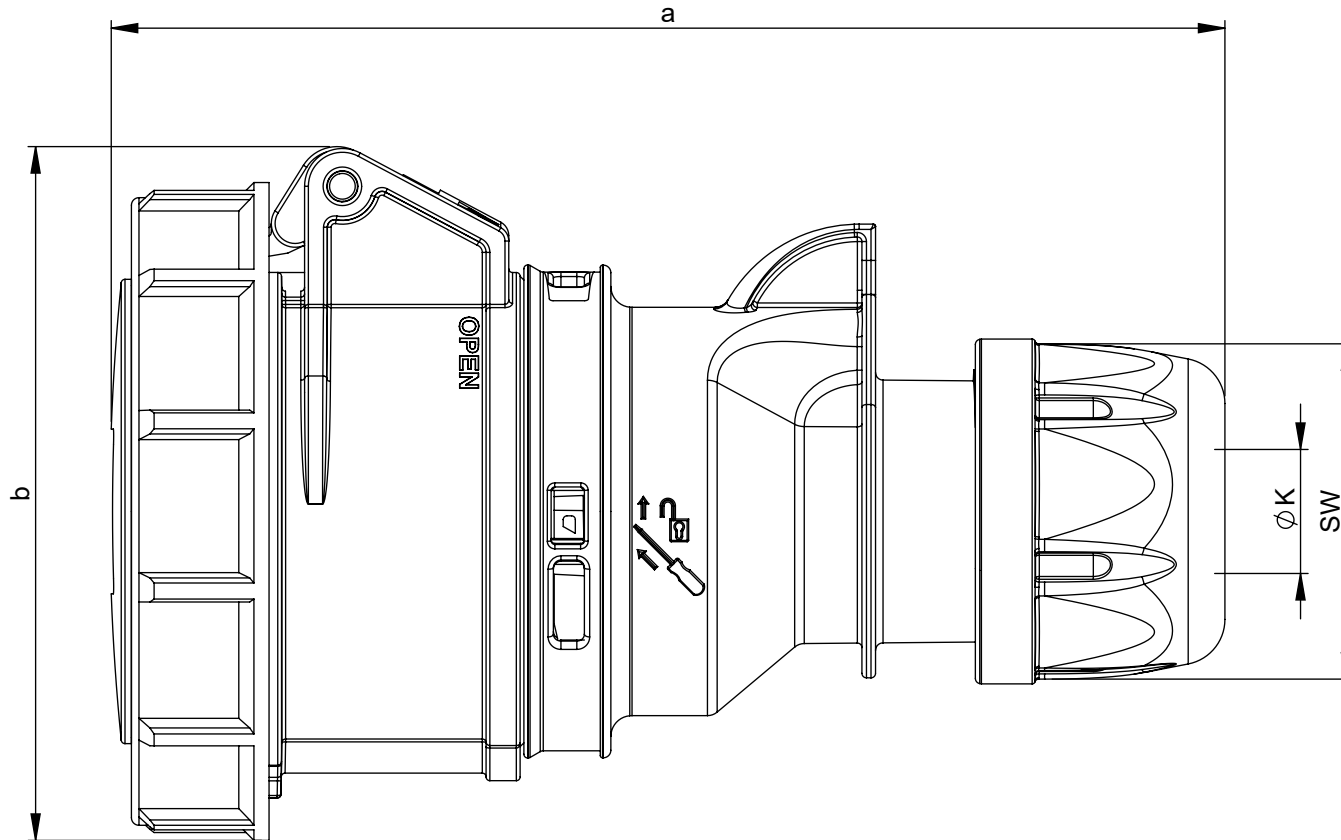
# Maßskizze / dimensional drawing

Benennung: Kupplung IP67 SHARK UL

description: Connector IP67 SHARK UL

Teilenummer / part number: 21392-\*, 21492-\*, 21592-\*, 22392-\*, 22492-\*, 22592-\*

PCE



Ampere	20			30		
Poles	2P3W (3p)	3P4W (4p)	4P5W (5p)	2P3W (3p)	3P4W (4p)	4P5W (5p)
a [mm] / [inch]	132 / 5.20	139 / 5.47	147 / 5.79	163 / 6.42	163 / 6.42	171 / 6.73
b [mm] / [inch]	78 / 3.07	84 / 3.31	92 / 3.62	96 / 3.78	96 / 3.78	102 / 4.02
K [mm] / [inch]	9-15 / 0.35-0.59	9-15 / 0.35-0.59	9-16 / 0.35-0.63	13.3-19.3 / 0.52-0.76	13.3-19.3 / 0.52-0.76	13.3-19.3 / 0.52-0.76
SW [mm] / [inch]	42 / 1.65	42 / 1.65	42 / 1.65	50 / 1.97	50 / 1.97	50 / 1.97