



CoreLine Projector gen2

ST151T LED30S/940 MB BK

- 25 degree(s) - 940 neutral white - Power supply unit (ON/OFF)

The well-known CoreLine Projector with its latest generation has undergone important design and performance improvement, raising the bar even higher and setting a new standard for track projectors used in retail and hospitality applications.

Warnings and Safety

- The luminaire should be mounted outside of arm's reach
- The luminaire should be installed by a qualified electrician and wired in accordance with the latest IEE electrical regulations or the national requirements

Product data

General Information		Operating and Electrical	
Light source replaceable	No	Beam angle of light source	25 degree(s)
Number of gear units	1 unit	Light source color	940 neutral white
Driver included	Yes	Optic type	Medium beam
Lighting Technology	LED	Luminaire light beam spread	25°
Value ladder	Value	Unified glare rating CEN	20
Light Technical		Input Voltage	220 to 240 V
Luminous Flux	3,000 lumen	Line Frequency	50 or 60 Hz
Saturated Red (R9)	>50	Input Frequency	50 or 60 Hz
Correlated Color Temperature (Nom)	4000 K	Initial CLO power consumption	27 W
Luminous Efficacy (rated) (Nom)	110 lm/W	Average CLO power consumption	27 W
Color rendering index (CRI)	>90	Power Consumption	27 W

CoreLine Projector gen2

Inrush current	43.8 A
Inrush time	0.0115 ms
Power Factor (Fraction)	0.9
Connection	3C Track
Cable	-
Number of products on MCB of 16 A type B	30

Temperature

Ambient temperature range	-20 to +40 °C
---------------------------	---------------

Controls and Dimming

Dimmable	No
Driver/power unit/transformer	Power supply unit (ON/OFF)
Control interface	-
Constant light output	Yes

Mechanical and Housing

Housing Material	Aluminum
Reflector material	-
Optic material	Polycarbonate
Optical cover/lens material	Polycarbonate
Fixation material	-
Housing Color	Black
Optical cover/lens finish	-
Overall length	207 mm
Overall width	87 mm
Overall height	125 mm
Overall diameter	80 mm
Dimensions (Height x Width x Depth)	125 x 87 x 207 mm

Approval and Application

Ingress protection code	IP20 [Finger-protected]
Mech. impact protection code	IK03 [0.3 J]
Sustainability rating	-
Protection class IEC	Safety class I
Glow-wire test	Temperature 650 °C, duration 30 s
Flammability mark	-

CE mark	Yes
ENEC mark	ENEC mark
Warranty period	5 years
Photobiological risk	Photobiological risk group 0 @200mm to EN62778
Photobiological risk specification	0.2 m
EU RoHS compliant	Yes

Initial Performance (IEC Compliant)

Luminous flux tolerance	+/-10%
Initial chromaticity	(0.3837, 0.3828) SDCM <4
Power consumption tolerance	+/-10%

Over Time Performance (IEC Compliant)

Control gear failure rate at median useful life 50000 h	0.05 %
Lumen maintenance at median useful life* 50000 h	L70

Application Conditions

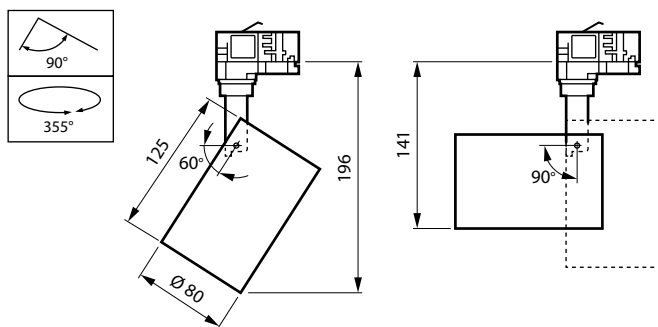
Performance ambient temperature Tq	25 °C
Maximum dim level	Not applicable
Suitable for random switching	No

Product Data

Full product code	871951452856799
Order product name	ST151T LED30S/940 MB BK
Order code	911401846682
Numerator - Quantity Per Pack	1
Numerator - Packs per outer box	10
Material number (12NC)	911401846682
Full product name	ST151T LED30S/940 MB BK
EAN/UPC - Case	8719514528642



Dimensional drawing



CoreLine Projector gen2

