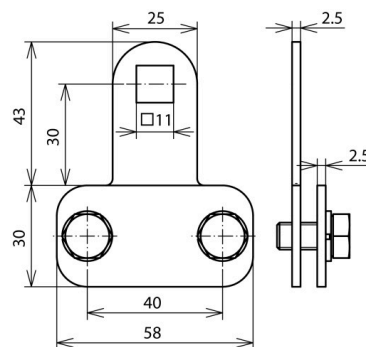


KS 200 B11.11 FL30X4 V2A (380 209)



Figure without obligation



Clamping piece with spring washer for connecting flat material to construction components. Lightning current carrying capability 200 kA (10/350 µs)



Type	KS 200 B11.11 FL30X4 V2A
Part No.	380 209
Material	StSt
Clamping range Fl	30 x 4 mm
Fixing	square hole 11 x 11 mm
Screw	☛ M8 x 16 mm
Material of screw	StSt
Distance of screws	40 mm
Material thickness	2.5 mm
Lightning current carrying capability (10/350 µs)	^{*)}
Standard	based on EN 62561-1
Weight	102 g
Customs tariff number	85389099
GTIN	4013364158269
PU	1 Stk

^{*)} For exact classification, see test certificate.

We reserve the right to introduce changes in performance, configuration and technology, dimensions, weights and materials in the course of technical progress. The figures are shown without obligation.