

ATyS C25

ATS Controller simple functions



ATyS C25

Function

ATyS C25 is an entry level ATSE controller with communications. It can be used to pilot a remotely operated transfer switch, such as ATyS r, ATyS S and ATyS d M, as well as contactors type transfer switches, for circuit breaker type transfer switches see ATyS C55 and ATyS C65. ATyS C25 ensure the automatic or remotely controlled transfer from one source to another with fixed timers and thresholds.

Advantages

Flexible space saving

The ATyS C25 controller can be mounted on either a DIN rail or to the panel door, offering flexibility and optimising space.

Cost-effective

The ATyS C25 has an integrated DPS, for supplying the motorisation of the switch, and can be door mounted, therefore there's no need for an external DPS or display, reducing installation time and costs.

Fast commissioning & testing

- 8 dip-switches allow very fast commissioning, even offline.
- All main functions such as remote position control, mode selection, lamp test and genset test on load are available on the front of the product allowing quick and easy operation.
- Remote product information is available through RS485 Modbus communication.

General characteristics

- Self-powered from sensing.
- Voltage supply range (184 - 300 VAC).
- DC aux power supply (for optional use).
- Main/Main or Main/Genset networks.
- Fixed I/Os.
- RS485 Modbus communication.
- Voltage sensing on all phases.
- Three-phase + Neutral & Single-phase + Neutral networks.
- Phase rotation checking.
- Door or DIN rail mounting.

The solution for

- > ATS panels
- > Compact transfer enclosures
- > Basic ATS controls



Strong points

- > Self-supplied from sensing circuit
- > Integrated AC Double Power Supply
- > RS485 Communications
- > Multiple mounting options

Conformity to standards

- > IEC 61010-2-201
- > IEC 60947-6-1
- > GB/T 14048.11 Annex C



Compatible with

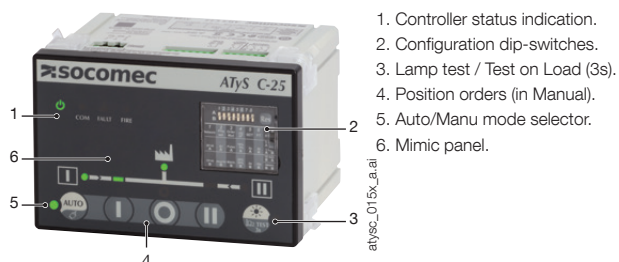
ATyS r
Transfer Switching Equipment

References

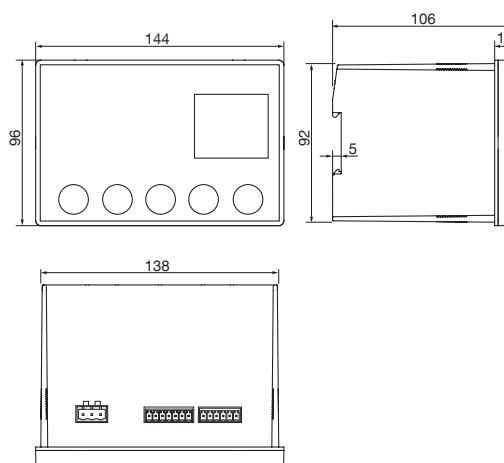
| Description | Reference |
|---|--------------------------|
| ATyS C25 – ATS controller | 1600 0025 |
| ATyS r - Remotely operated Transfer Switching Equipment | 9523 xxxx ⁽¹⁾ |

(1) xxxx variable based on the number of poles and rating.

Front panel



Dimensions (mm)



atysc_001_b_1_x_catal

Characteristics

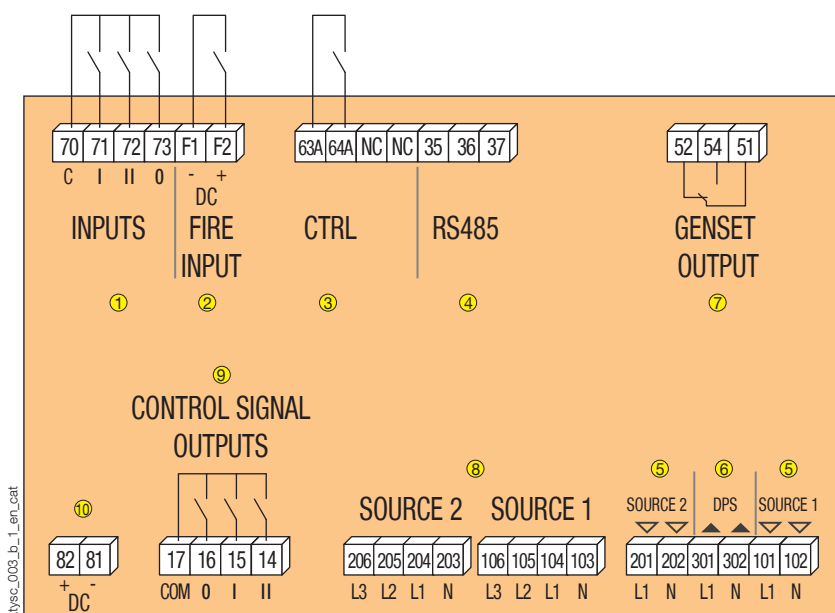
| Electrical characteristics | |
|----------------------------|--|
| AC operating limits | 184 ⁽¹⁾ - 300 VAC |
| Optional DC supply | 10-30 VDC |
| Frequency limits | 45 - 65 Hz |
| Power consumption | < 10 W |
| Inputs | 5 - fixed (auto inhibit & DC fire input, position indication I-0-II) |
| Outputs | 4 - fixed (position control I-0-II & genset start) |
| Impulse withstand | 6/4 kV ⁽²⁾ |
| Overvoltage category | CAT 3 |
| Mechanical characteristics | |
| Weight | 845 gr |
| Door cutout | 138 x 92 mm |
| Operating temperature | -25 ... +70°C |
| Communications | |
| Interface type | RS485. 2 to 3 half duplex wires |
| Protocol | MODBUS RTU |
| Baudrate | 2400-38400 |

| Measurement characteristics | |
|--|---------------------------------|
| Nominal voltage DIP 1 (1PH+N / 3P+N) | 230 / 400 VAC |
| Nominal frequency (fixed) | 50 Hz |
| Voltage threshold settings DIP 4 | 10% / 20% of Nominal voltage |
| Frequency threshold settings DIP 4 | 5% / 10% of nominal frequency |
| Voltage and frequency Hysteresis (fixed) | 20% of ΔU/ΔF |
| Other settings | |
| ODT dead-band timer DIP 5 | 0 / 2 s |
| FT Source 1 and 2 fail timer DIP 6 | 3 / 10s |
| RT Source 1 and 2 return timer DIP 7&8 | 0 (3s) / 3 / 10 / 30 min |
| Source priority DIP 2 | Priority source 1 / No priority |
| Position Output signal DIP 3 | Impulse / Maintained |

(1) 200 VAC in contactor mode.

(2) 6 kV tested between phases of a different source and 4 kV tested between phases of the same source.

Terminals



1. Switch position inputs
2. DC fire input (forces 0 & inhibit)
3. Control inputs
4. RS485 communication
5. DPS input (source 1 and 2)
6. DPS output to motor
7. Genset NO/NC output
8. Voltage sensing S1 & S2
9. Control outputs to transfer device
10. DC aux power supply (for optional use)

atysc_003_b_1_en_cat