

# Product Data Sheet

## GW66872

IB Range



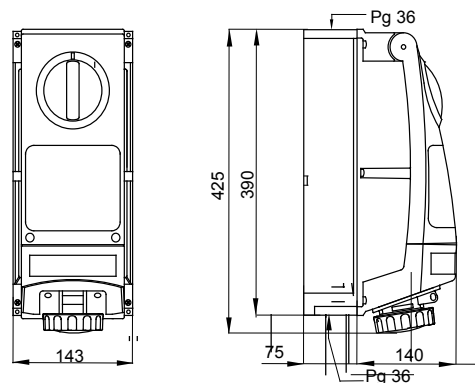
A product range comprising industrial-type socket-outlets conforming to IEC 60309 Standard, with rotary switch mechanical interlock for individual or group applications on modular bases. The robustness of the products and their resistance to the main chemical and atmospheric agents, together with the high IP66 degree of protection, mean they can be installed in tough environments with critical atmospheric, chemical and mechanical (accidental impact) conditions.

|                             |                                 |                                     |            |
|-----------------------------|---------------------------------|-------------------------------------|------------|
| Type                        | Vertical                        | Thermo-pressure with ball           | 80 °C      |
| Impact resistance at -20 °C | 20 J                            | IP degree                           | IP66       |
| No. of poles                | 2P+E                            | Mechanical resistance               | > IK10     |
| Frequency                   | 50/60 Hz                        | Operating temperature               | -25 +40 °C |
| Protection                  | Suitable for modular apps. (6M) | With back-mounting box              | Yes        |
| Electrocod                  | 2222                            | Glow wire test                      | 850 °C     |
| Colour                      | Red                             | IB socket outlet rated current (In) | 58 A       |
| Rated current (A)           | 63                              | Reference h                         | 9          |
| Rated voltage               | 380-415 V                       | Type of use                         | Heavy duty |

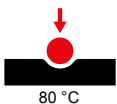
### BEHAVIOUR WITH CHEMICAL AND ATMOSPHERIC AGENTS

| Saline solution | Acids         |                    | Bases         |                    | Solvents  |           |                    |           | Mineral oil | UV rays   |
|-----------------|---------------|--------------------|---------------|--------------------|-----------|-----------|--------------------|-----------|-------------|-----------|
|                 | Concentrated  | Diluted            | Concentrated  | Diluted            | Hexane    | Benzol    | Acetone            | Alcohol   |             |           |
| Resistant       | Not resistant | Limited resistance | Not resistant | Limited resistance | Resistant | Resistant | Limited resistance | Resistant | Resistant   | Resistant |

### DIMENSIONAL



### TECHNICAL SYMBOLOGY



**IP**  
IP66

**IK**  
> IK10



**GWT**  
850 °C

### STANDARDS/APPROVALS

