

FBH ZS 30 M8 V2A (274 030)

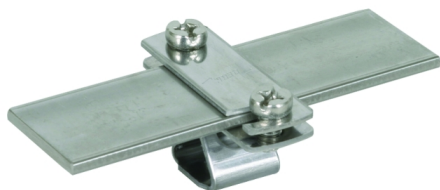
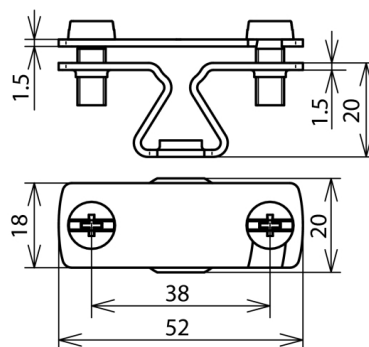


Figure without obligation



| Type | FBH ZS 30 M8 V2A |
|------------------------------|------------------|
| Part No. | 274 030 |
| Material of conductor holder | StSt |
| Conductor support Fl | 30 x 3.5 mm |
| Conductor support Rd | 6-10 mm |
| Height of conductor holder | 20 mm |
| Thread of conductor holder | M8 |
| Conductor routing | fixed |
| Standard | EN 62561-4 |
| Weight | 34 g |
| Customs tariff number | 85389099 |
| GTIN | 4013364130340 |
| PU | 50 Stk |

We reserve the right to introduce changes in performance, configuration and technology, dimensions, weights and materials in the course of technical progress. The figures are shown without obligation.