

# Product End-of-Life Instructions

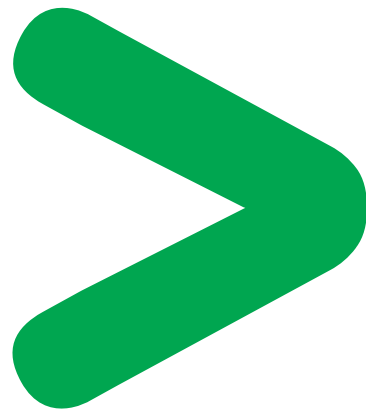
## Modicon Momentum I/O base

### Product Range

Modicon Momentum I/O base

### Marketing Model

170ANR12091, 170AAO12000, 170AAI03000, 170AAI14000, 170AAI52040, 170AAO 92100, 170ADI34000, 170ADI35000, 170ADI54050, 170ADI74050, 170ADM35010, 170ADM35011, 170ADM35015, 170ADM37010, 170ADM39010, 170ADM39030, 170ADM39091, 170ADM54080, 170ADM69051, 170ADM85010, 170ADO34000, 170ADO35000, 170ADO53050, 170ADO54050, 170ADO73050, 170ADO74050, 170ADO83030, 170AEC92000, 170AMM09000, 170AMM09001, 170AMM11030, 170ANR12090, 170ANR12091, 170ARM37030, 170CPS11100



### Size in mm:

H x L x D : 170 x 120 x 40

### Weight (excluding packaging) in g:

200-400

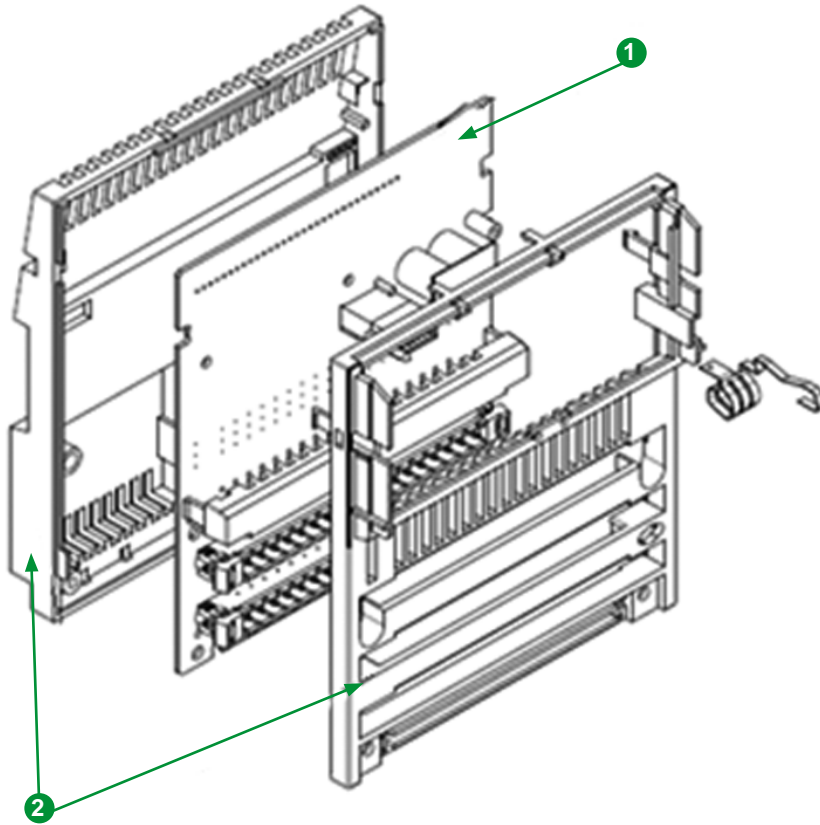


## Operations recommended for the end of life treatment

There are several steps to process the products at the end of life so as to recover components, materials or energy :

Reuse ⇒ Separation for special treatment ⇒ Other Dismantling ⇒ Shredding

The components of the products that optimize the recycling performances are listed, identified and located hereunder.



Recommendation	Number on drawing	Components	Weight (g)	Comment
Special treatment	1	PCBA	107	-
Other dismantling	2	Plastic	88	Polycarbonate

### Schneider Electric Industries SAS

35, rue Joseph Monier  
CS30323  
F - 92506 Rueil Malmaison Cedex

RCS Nanterre 954 503 439  
Capital social 896 313 776 €  
www.schneider-electric.com

The version of the Guide used to create the document: End of Life Instruction Drafting Guide of Schneider Electric version V1.

Publication : Schneider Electric