



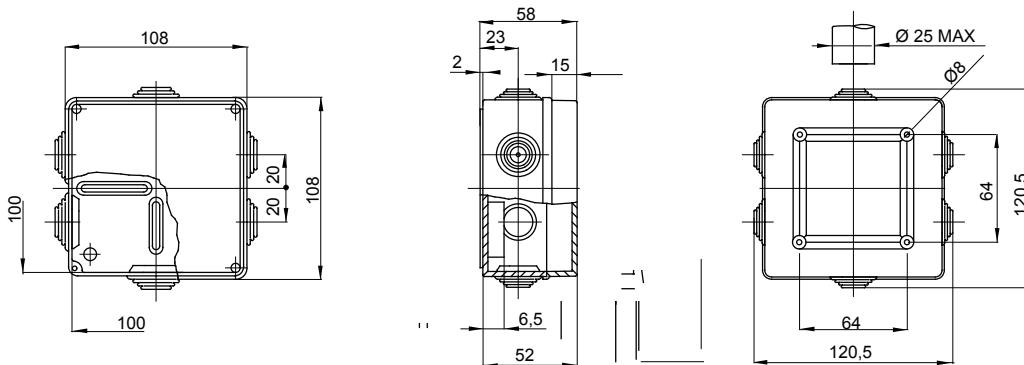
Range 44 CE - Surface-mounting watertight junction boxes in compliance with EN 60670-1 (CEI 23-48) and IEC 60670-22 (CEI 23-94) and made in high-performance technopolymers. The range includes versions with protection degree IP44, IP55, IP56 with smooth walls or with quick entry cable glands and different type of covers: blind / transparent, deep/plain, press-on/screw (in plastic, also 1/4 turn, or in metal). Available in different self-extinguishing materials (up to GWT 960 °C). Suitable for ordinary junctions, for special uses, and for industrial uses.

|                           |  |                                      |                          |
|---------------------------|--|--------------------------------------|--------------------------|
| Insulation class          | II (according to IEC 61140 standards)      | Colour                               | Grey RAL 7035            |
| IP degree                 | IP55                                       | Material                             | Technopolymer GWPLAST 75 |
| Mechanical resistance     | IK08                                       | Internal dim. LxHxD (mm)             | 100x100x50               |
| Entries No. holes / Ø     | 6 / 29                                     | Lid screws (no. and type)            | 4 - Stainless steel      |
| Application               | Ordinary junctions                         | Glow Wire Test                       | 650 °C                   |
| Lid                       | Plain screwed                              | Operating temperature                | -25 +60 °C               |
| Type of material          | Halogen-free in compliance with EN 60754-2 | Electrocod                           | 02210                    |
| Thermo-pressure with ball | 85 °C                                      | Torque screws tightening             | 1 Newton/meter           |
| Walls                     | With cable glands                          | Accessories for insulation restoring | GW44622                  |

#### BEHAVIOUR WITH CHEMICAL AND ATMOSPHERIC AGENTS

| Saline solution | Acids              |           | Bases        |           | Solvents           |               |               |                    | Mineral oil        | UV rays            |
|-----------------|--------------------|-----------|--------------|-----------|--------------------|---------------|---------------|--------------------|--------------------|--------------------|
|                 | Concentrated       | Diluted   | Concentrated | Diluted   | Hexane             | Benzol        | Acetone       | Alcohol            |                    |                    |
| Resistant       | Limited resistance | Resistant | Resistant    | Resistant | Limited resistance | Not resistant | Not resistant | Limited resistance | Limited resistance | Limited resistance |

#### DIMENSIONAL



#### TECHNICAL SYMBOLOGY



#### STANDARDS/APPROVALS

