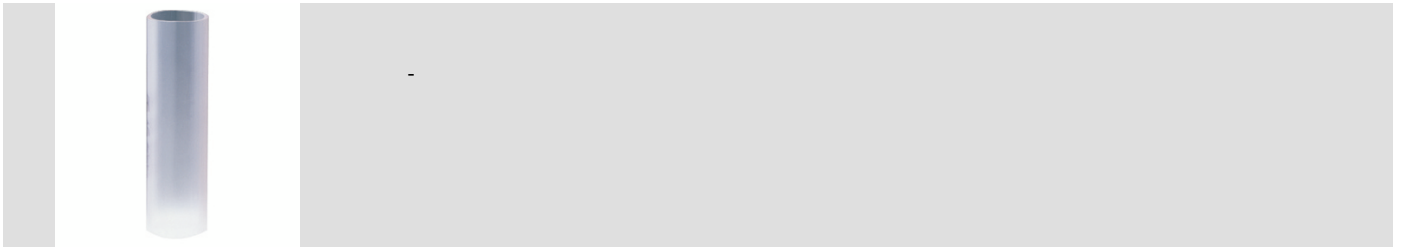


# Product Data Sheet

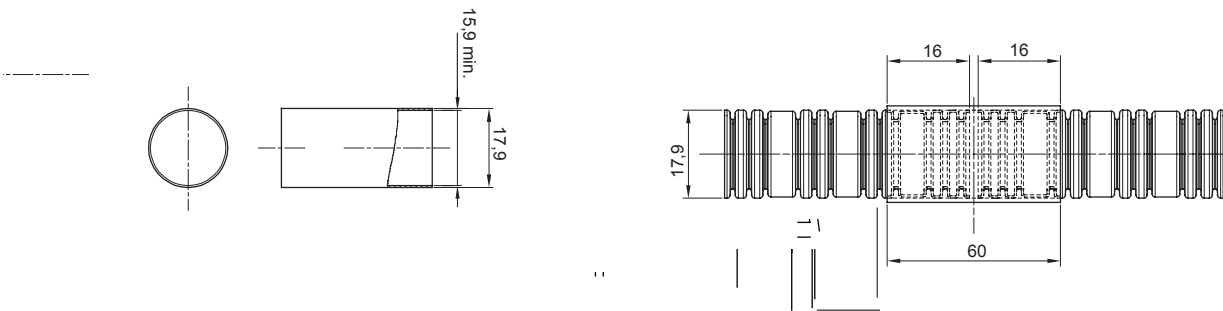
## DX52016

FK Range



Colour	Transparent	Material	PVC
Conduits Ø (mm)	16	Electrocod	210

### DIMENSIONAL



### STANDARDS/APPROVALS

