



MASTER VALUE LEDs pot LV

MAS LED SPOT VLE D 7.5-50W MR16 930 60D

Philips MASTER VALUE MR16 is the series of Low Voltage (12VAC) Halogen MR16 replacements. Not only does it employ Philips' patented solution to guarantee the broadest possible compatibility with standard 12V Halogen electronic transformers. It also delivers beam intensity which is equivalent to the 50W Philips Halogen MR16 lamps. The form-factor of Philips MASTER Value LED MR16 guarantees a 100% form on the back-side of the lamp (exact form with Halogen lamps.)

Warnings and Safety

- Operating temperature range is between -20° C and 45° C ambient
- Only to apply in dry or damp locations and most of open fixtures with lamp-holders that offer sufficient space (10 mm free air space)
- Not intended for use with emergency light fixtures or exit lights

Product data

| General Information | |
|----------------------------|----------------|
| Cap-Base | GU5.3 [GU5.3] |
| Nominal lifetime | 25,000 hour(s) |
| Switching Cycle | 50,000 |
| Lighting Technology | LED |
| Flux measurement reference | Narrow Cone |

| Light Technical | |
|--------------------------|--------------------|
| Color Code | 930 [CCT of 3000K] |
| Beam Angle (Nom) | 60 degree(s) |
| Luminous Flux | 630 lumen |
| Luminous Intensity (Nom) | 800 cd |
| Color Designation | White (WH) |

| | |
|---------------------------------------|------------|
| Correlated Color Temperature (Nom) | 3000 K |
| Luminous Efficacy (rated) (Nom) | 84.00 lm/W |
| Color Consistency | <6 |
| Color rendering index (CRI) | 90 |
| LLMF At End Of Nominal Lifetime (Nom) | 70 % |
| Luminous Flux in 90° Cone (Rated) | 630 lumen |

| Operating and Electrical | |
|--------------------------|--------|
| Line Frequency | - Hz |
| Input Frequency | - Hz |
| Power Consumption | 7.5 W |
| Lamp Current (Nom) | 660 mA |
| Wattage Equivalent | 50 W |

MASTER VALUE LEDspot LV

| | |
|---------------------------|--------------------|
| Starting Time (Nom) | 0.5 s |
| Warm-up time to 60% light | 0.5 s |
| Power Factor (Fraction) | 0.7 |
| Voltage (Nom) | ac electronic 12 V |

Temperature

| | |
|----------------------|-------|
| T-Case Maximum (Nom) | 95 °C |
|----------------------|-------|

Controls and Dimming

| | |
|----------|----------------------------|
| Dimmable | Only with specific dimmers |
|----------|----------------------------|

Mechanical and Housing

| | |
|------------|-------------------|
| Bulb Shape | MR16 [2inch/50mm] |
|------------|-------------------|

Approval and Application

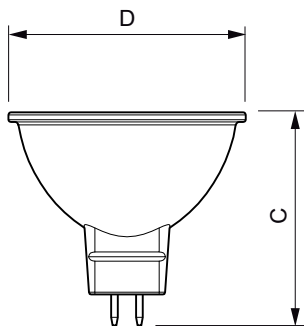
| | |
|------------------------------|-----|
| Suitable For Accent Lighting | Yes |
|------------------------------|-----|

| | |
|-------------------------------|---------|
| Energy Consumption kWh/1000 h | 8 kWh |
| EPREL Registration Number | 453,184 |
| CE mark | Yes |
| EU RoHS compliant | Yes |

Product Data

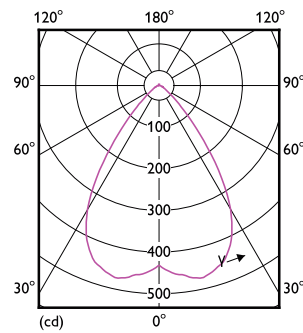
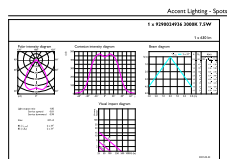
| | |
|---------------------------------|---|
| Full product code | 871951430740700 |
| Order product name | MAS LED SPOT VLE D 7.5-50W MR16 930 60D |
| Order code | 929002493602 |
| Numerator - Quantity Per Pack | 1 |
| Numerator - Packs per outer box | 10 |
| Material number (12NC) | 929002493602 |
| Full product name | MAS LED SPOT VLE D 7.5-50W MR16 930 60D |
| EAN/UPC - Case | 8719514307414 |

Dimensional drawing



| Product | D | C |
|---|---------|---------|
| MAS LED SPOT VLE D 7.5-50W MR16 930 60D | 50.5 mm | 45.5 mm |

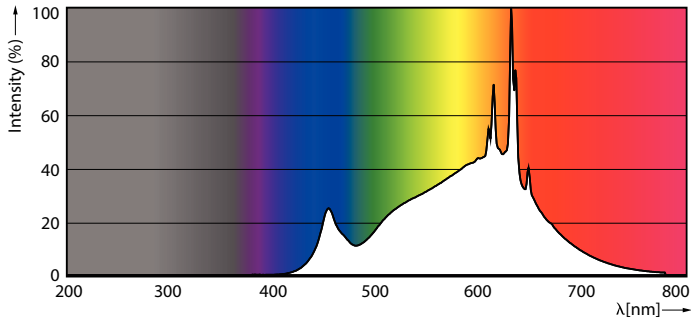
Photometric data



Light Distribution Diagram - MAS LED SPOT VLE D 7.5-50W MR16 930 60D

MASTER VALUE LEDspot LV

Photometric data



Spectral Power Distribution Colour - MAS LED SPOT VLE D 7.5-50W MR16 930 60D

Lifetime



Life Expectancy Diagram - MAS LED SPOT VLE D 7.5-50W MR16 930 60D



Lumen Maintenance Diagram - MAS LED SPOT VLE D 7.5-50W MR16 930 60D

