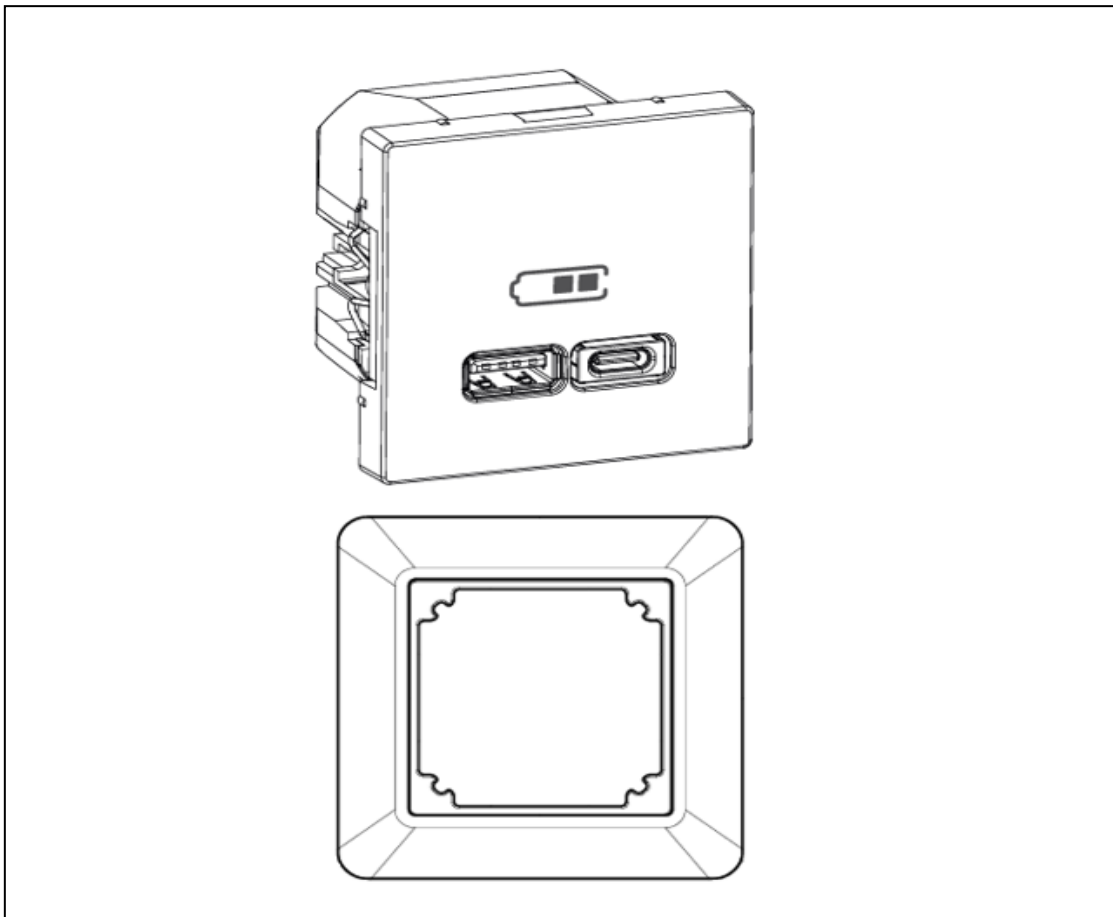


Product End of Life Instructions

Double USB charger type A+C, 45W, white

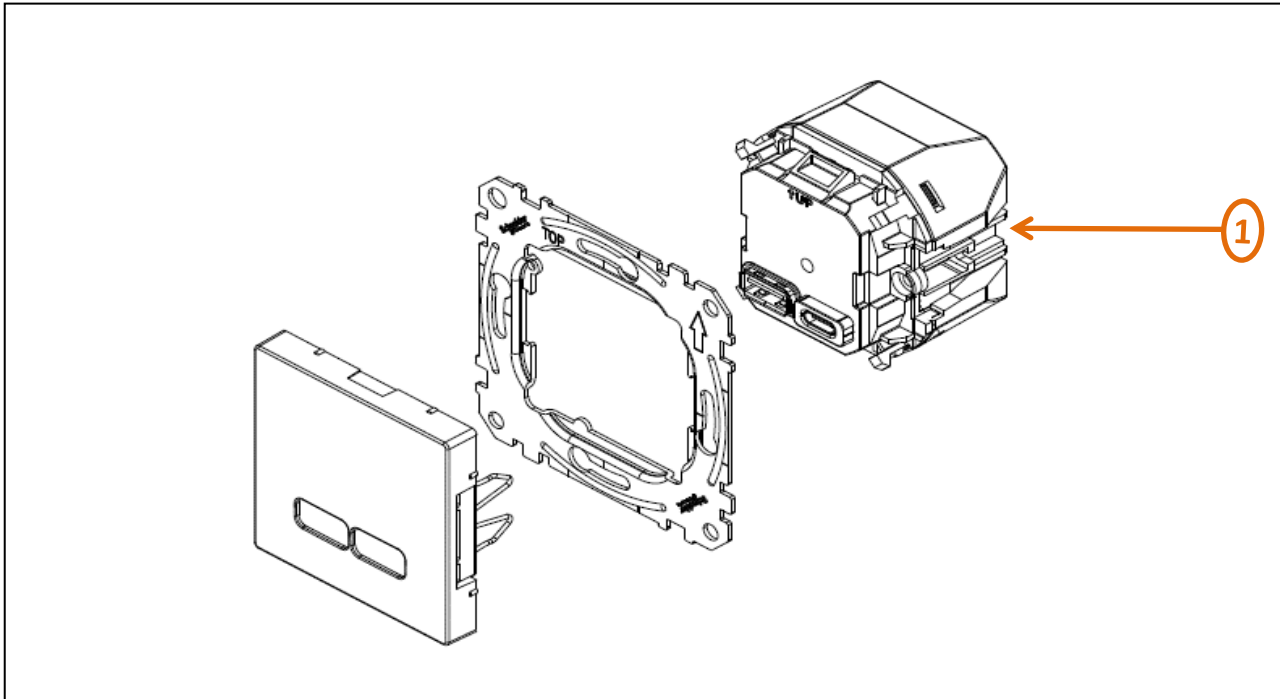
as referent product for:

all USB chargers with power output from 45W to 65W in wiring devices ranges





End of Life Instructions



Recommendation	Number on drawing	Component / Material	Weight (in g)	Comment
To be depolluted		Electronic Board (Communication) > 10cm ²	39,35	

Product description

Manufacturer identification	Schneider Electric Industries SAS
Brand name	Schneider Electric, Merten
Product function	Double USB charger, type A + C, 45W white is a socket that give a solution for charging IT devices through USB ports.This USB charger is OVCIII with service lifetime target 10 years. The stand by consumption is below 0.01W and total output power of the USB charge is 52.5W.
Product reference	WDE002983
Additional similar product references	E831USB65_DG - E831USB65_WE - E831USB65_WG - E832USB45_DG - E832USB45_WE - E832USB45_WG - EPH2700421 - EPH2700471 - INS60526 - INS60527 - MEG4366-0120 - MEG4366-0130 - MTN4366-0120 - MTN4366-0130 - NU501318 - NU501330 - NU501344 - NU501354 - NU501418 - NU501430 - NU501444 - NU501454 - S320403 - S320406 - S325403 - S325403D - S325406 - S325406D - S340403 - S340406 - S345403 - S345403D - S345406 - S345406D - S520403 - S520406 - S530403 - S530406 - S540403 - S540406 - S550403 - S550406 - SDD111404 - SDD112404 - SDD113404 - SDD114404 - SDD180404 - SDD181404 - WDE000942 - WDE002983 - WDE003983 - WDE004983 - WDE011764 - WDE011765 - WDE012U02 - WDE014U02
Total representative product mass	126 g
Representative product dimensions	87mm x 87mm x 41mm
Accessories	0
Date of information release	05/2023

Additional information

<p>Legal information</p>	<p>This product family is in the scope of European Union directive 2012/19/EU on Waste Electrical and Electronic Equipment (WEEE). The product family must be disposed according to the legislation of the country. This document is intended for use by end of life recyclers or treatment facilities. It provides the basic information to assure an appropriate end of life treatment for the components and materials of the product.</p>	
<p>Recyclability potential</p>	<p>42%</p>	<p>Recyclability rate has been calculated based on REEECYLAB tool developed by Ecosystem, for components/materials not covered by the tool, data from the "ECO'DEEE recyclability and recoverability calculation method" was taken. If no data was found a conservative assumption was used (0% recyclability).</p>

Schneider Electric Industries SAS

Country Customer Care Center
<http://www.schneider-electric.com/contact>

35, rue Joseph Monier
 CS 30323
 F- 92500 Rueil Malmaison Cedex
 RCS Nanterre 954 503 439
 Capital social 928 298 51 €

www.se.com

ENVEOLI2304001_V1

Published by Schneider Electric

© 2023 - Schneider Electric – All rights reserved

05/2023