



# Boxes for dusty, wet and tough environments

Catalogue 2017

Mureva surface mounted boxes



[schneider-electric.com](http://schneider-electric.com)

Life Is On

**Schneider**  
Electric

The Mureva  
boxes surpass  
almost anything!

They are all  
halogen-free  
and now are  
offered in the  
Exxact wiring  
devices white





# Mureva

Sometimes you need electricity where it really should be impossible to install it, like in wet or dusty places, or where electricity has not been planned at all. You needn't worry! Since the Mureva boxes from Schneider Electric thoroughly satisfy any high safety requirement that the business might have, all surface mounted installations can be made irrespective of environment or safety needs. The boxes are easy to install, they are stable and they are halogen-free. You can equip them according to your specific needs or buy them as complete junction boxes. With Mureva at hand, no job will be too demanding!



# What makes Mureva outstanding?



Obviously, the Mureva boxes work away as they should, but they have also been designed to facilitate your work! Every installation should be quick and easy, and with a professional final result, too. We have therefore spent much time in adjusting every detail, which you will notice when using the products. In addition, the Mureva range has been thoroughly tested in order to satisfy any requirement that is made for surface mounted boxes in demanding environments.

## A complete range

Mureva includes all the boxes you need for surface mounted installations. Indoor and outdoor junction boxes, enclosed boxes, boxes for cable trays, fire resistant boxes.

### Pre-assembled, yet flexible

All Mureva boxes are available empty or including the terminal block that you need for the installation. They are all part of the same system, which means that for instance terminal blocks and strain relief devices match the different boxes. Thus, you will never feel blocked.

### Adequate fixation – always

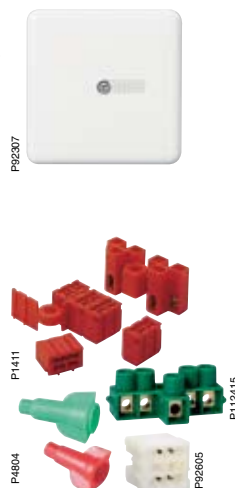
You can mount Mureva wherever it suits you best. On the wall, with a spacer where cables make it necessary, on cable trays using boxes with a pre-assembled cable-tray plate. The same degree of protection applies whichever fixing variant you may chose.

### Smart covers

When you chose Mureva you won't have to keep the screws under control. They are "unlosable" as we like to call it. And they are of course rustproof. The cover is stable and tight-fitting. Some boxes are available with a click-lid without screw.

### Terminal block or twist-on connector?

Let your needs decide how to connect your Mureva box. You can use a screw terminal for large-size cables, a push-in terminal for 1.5-2.5 mm<sup>2</sup> cable, or the TORIX twist-on connector. The push-in terminals are the fastest – just insert the cables and the conductors will be connected! The risk of a loose contact is practically non-existent and you can mix conductors, like solid and rigid stranded and 1.5 och 2.5 mm<sup>2</sup> conductors.



# A surface mounted range

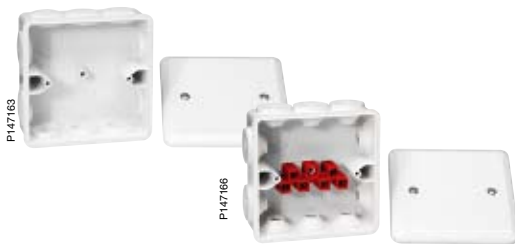
## IP20 page 6

Junction boxes for discreet installations in housing environments.



## IP54 page 8

Tough boxes that can handle dust, moist and impact in rough environments.



## IP65 page 10

Boxes with click-lid or screw-fixed cover for bathrooms, farms and industries. A fire resistant alternative is available.



## IP67 page 12

Waterproof boxes for the toughest environments. A fire resistant alternative is available.



### New white color

The modern white offered in the Exxact range (RAL9003) is now also present in the Mureva boxes.

### Halogen-free

The products in the Mureva range are halogen-free. Good for you and for the environment!



### Thoroughly tested

The products of the Mureva range are based on more than 30 years of experience of installation material and of how they can make your job easier. And everything is tested and standardized.



### Fire classification

Tough requirements on fire resistance are no problem when you go for Mureva. Two fire classified boxes, Mureva U56 and Mureva 350, are included in the range.



### Classification for wet rooms

Our enclosed boxes are the natural choice for bathrooms, pool rooms and other tough, demanding environments.

# IP20

## Junction boxes for housing environments

The degree of protection IP20 means that the box is protected against intrusion of objects bigger than 12 mm, but that it has no protection against water.

Thus, the box is perfectly suited for normal indoor use. You should therefore use an IP20 classified junction box when you update electricity in older housing environments. The box is also excellent when making complementary installations or when you are cramped for space. You always get a safe result, and the box harmonizes discreetly with the housing environment thanks to the modern white (RAL9003).

The Mureva range includes the junction boxes K60, K90, TED-001 and TED-002.



## Mureva junction boxes K60 and K90

You have most certainly seen our small, square junction box K60 (60x60 mm) before, since it implies an aesthetically attractive solution for surface mounted installations. If you should need larger space for the connection, the bigger junction box K90 (90x60 mm) is your obvious choice. The cover of K90 is snap-fitted, providing a fast and neat installation without screws. Pick your choice between a box with pre-assembled terminals or an empty box for use with the TORIX twist-on connector.



P147156

### K60

K60 is available empty or pre-assembled with a 5-pole screw-type terminal. The square shape enables several installation options.

### Approval

SEMKO and FIMKO for 440 V AC. to the IEC standard 60670-1.



P147152

### K90

The rectangular K90 with snap-fitted cover is available empty, with pre-assembled 2x3-pole screw-type terminals, with 2x3-pole screw-type terminals and strain relief, or with five push-in terminals that can be moved around on the bottom plate to suit the installation.

### Approval

SEMKO and NEMKO for 440 V AC. to the IEC standard 60670-1.



P117847

### Strain relief device

If you combine the junction box with a strain relief, you can fix cables of max. Ø 14 mm.



P117846

### Loose terminal blocks

The push-in terminal can take conductors of max. 5x1.5 mm<sup>2</sup> or 5x2.5 mm<sup>2</sup>, and the screw-type terminal max. 6x1.5 mm<sup>2</sup>, 4x2.5 mm<sup>2</sup>, 3x4 mm<sup>2</sup> or 2x6 mm<sup>2</sup>.

## Mureva TED-001 and TED-002

If you need a bigger box with a screw-fixed cover, we recommend one of the five Mureva TED variants. Connections are made through any of the four sides of the cover, or through the box bottom. Among the accessories, a strain relief device is available. Make your choice between a box with pre-assembled terminals or an empty box for connection with the TORIX twist-on connector.



P147167

### TED-001

The box is available in two variants, empty or with five pre-assembled push-in terminals.



P147169

### TED-002

TED-002 is available in three versions: empty, with pre-assembled 6-pole screw-type terminal or with five push-in terminals. Knock-out openings at the bottom minimize the use of tools.

### Approval

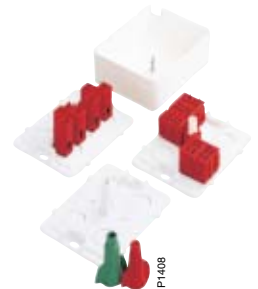
SEMKO, NEMKO, DEMKO and FIMKO for 440 V AC. to the IEC standard 60670-1.



P112887

### Quick and easy

By using the Mureva pliers it will be easy to cut a hole for connection in the cover of IP20 classified boxes.



P1408

### The choice is yours

The boxes are supplied with the type of terminal block that best suits the installation.

# IP54

For protection against dust, moisture and impact in tough environments

The IP54 classification means extra protection against dust and moisture. Products with this classification are suitable for surface mounted installations in unheated premises, schools, sports centres and similar public premises. They can also be used for outdoor installations. Our enclosed IP54 box is Mureva TED-012. It is dust and moisture-proof, has clever screw-fixed covers and is impact resistant.





# Mureva TED-012



Mureva TED-012 can withstand physical strains, dust and moisture, thanks to their screw-fixed covers with unlosable rustproof screws. Make your choice between boxes with pre-assembled terminals or empty boxes for connection with the TORIX twist-on connector. Various accessories are available, like a wire bracket/spacer and strain relief devices.



### TED-012

TED-012 is available empty or with pre-assembled 6-pole screw-type terminal. The cover has an edge that provides a very solid box. The size of the box makes it well suited for installations that require a lot of space.

### Approval

SEMKO, NEMKO, DEMKO and FIMKO for 440 V AC. to the IEC standard 60670-1.



### Strain relief devices

Available for TED boxes from IP20 to IP65. For strain relief of cables up to Ø 14 and Ø 20 mm.



### Wire bracket/spacer

Available for TED boxes with IP54 and IP65.

# IP65

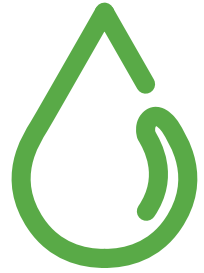
## Bathrooms and farms require extra protection against dust and water

Every bathroom represents an obvious risk of exposing the electric installation to moisture. The boxes used must have a protection against water for instance from a shower. Our box for this purpose is Mureva U56 with a click-lid.

The well-adjusted and slightly rounded design of this box makes it equally suitable in a home setting as in modern industrial premises.

In industrial or farming environments, the installation is exposed both to water and dust. Choose Mureva U56 also in this case, though with a screw-fixed cover.

Mureva U56 is now IP65 in all versions (click-lid or screw-fixed cover).



## Mureva U56 with click-lid



### U56 with click-lid

The box is supplied empty with a glossy and stable click-lid without screw. This box fulfils the safety requirements, read more on page 14.

### Approval

SEMKO, NEMKO and FIMKO for 440 V AC. to the IEC standard 60670-1.



### Degree of protection

Mureva U56 is now a full IP65 range (both versions are IP65).

## Mureva U56 with screw-fixed cover



### U56 with screw-fixed cover

Mureva U56 is available empty, with pre-assembled 5-pole screw-type terminal, with 2x3-pole screw-type terminals or with 6 push-in terminals that can be moved around on the bottom plate to suit the installation.

### Approval

SEMKO, NEMKO and FIMKO for 440 V AC. to the IEC standard 60670-1.

### Fire classification

UL 94-V0 (Ref. numbers IMT36126 and IMT36127).



### Strain relief

Don't forget to add the strain relief (IMT36084) to facilitate your installation.



### In every direction!

Mureva U65 has ten entries, allowing cables to always be connected the shortest way.

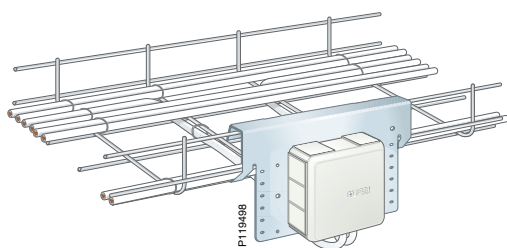
### Exact white color

Mureva U56 is supplied now in the same white than Exact wiring devices range.

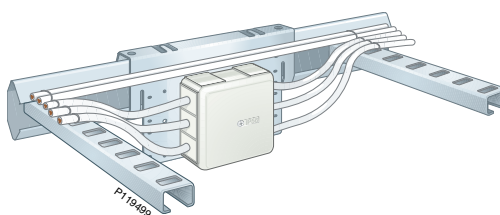


## Easier installations on cable trays

Mureva U56 is a real hit if you want to install a surface mounted box on a cable tray, since Schneider Electric produces them both! Mureva U56 is available pre-assembled on a cable-tray plate that suits our own as well as other standard variants of cable ladders and trays on the market. The plate can also be mounted on rails for electric fittings and on wire.



The cable-tray plate has special fixing edges that suit mounting on mesh trays.

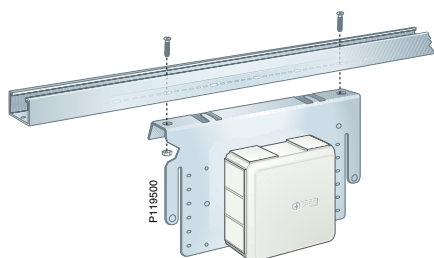


The U56 box on the inner side of a cable ladder. The plate can also be installed upwards if the space is limited in the downward direction because of the ceiling.



**Work away faster!**

When ordering Mureva U56, one single reference number will provide you with cable-tray plate, box and terminal block, pre-assembled and ready.



Cable-tray plate with the U56 box on a rail for electric fittings.



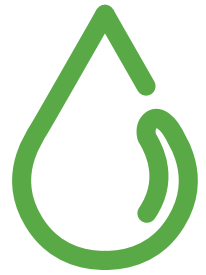
### Approval

SEMKO, NEMKO and FIMKO for 440 V AC. to the IEC standard 60670-1.

# IP67

## Enclosed boxes for the very toughest environments

In the very toughest environments, like in laundries and industrial establishments, the box must withstand water splashing without letting moisture in, i.e. it must be watertight. In addition, it must resist various chemicals and high temperatures without losing its shape. Our IP67 classified boxes are Mureva 350 and Mureva TED-022.



F117673

## Mureva 350, fire-classified, watertight thermoset box



The 350-series was launched more than 60 years ago. The box is a watertight, enclosed box of halogen-free thermoplastic acc. to IP67. It has superior capacity to hold water outside and excellent resistance to fire and chemicals. When burning, the box slowly get charred without an open flame.

The 350-series is frequent in car-wash and laundry establishments, food industries and similar activities, where the electric installation must be kept from water. The box is available with a 5-pole screw terminal and with two, three or four cable glands.

### Approval

SEMKO for 440 V AC. to the IEC standard 60670-1.

### Fire classification

UL 94-V0.



### Fire classified & halogen-free

Mureva 350 does not burn, it slowly get charred. And just like our other boxes it is totally halogen-free, which means that no toxic gases are formed in case of fire.

## Mureva TED-022 – watertight and capacious



If you need a larger enclosed box than Mureva 350, for installations in for instance public baths and car-wash establishments, TED-022 is your best choice. The box is dust and watertight but has no fire classification. The cover is provided with “unlosable” rustproof screws.

The box is supplied with a pre-assembled 6-pole screw terminal, or empty for connection with the TORIX twist-on connector. Various accessories are available, like wire bracket/spacer and strain relief devices.

### Approval

SEMKO, NEMKO and FIMKO for 440 V AC. to the IEC standard 60670-1.

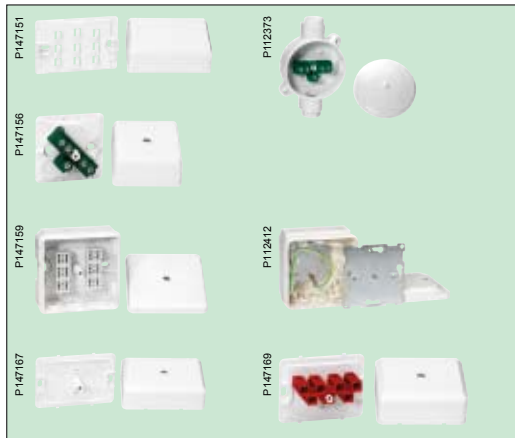


### Mureva TED-022

Is now supplied in white color (RAL9003).



Still a favourite after 30 years – TORIX twist-on connector.



### Description

The Schneider Electric range of surface mounted boxes consists of five sizes of IP20 boxes and five types of water-tight boxes (IP44–67), out of which two boxes conform to the UL 94 V0 fire resistance requirements.

The boxes are suitable for all types of installations, ranging from indoor to outdoor use.

The range also includes a large number of accessories, specially designed to make installations faster, easier and safer.

### Benefits

- Large range of IP classes, from IP20 to IP67
- Same white as Exxact wiring device range (SE white 3 RAL9003)
- Large range of box sizes
- Two types of cover fixings; both snap-fitted covers and screw-fastened covers are available
- Fire-resistant boxes (UL 94 V0).


### Standards & approvals

|           |                            |
|-----------|----------------------------|
| Standards | 60 670-1                   |
|           | UL 94 V0 (Fire resistance) |
| Approvals | Semko, Nemko, Demko, Fimko |

### Technical and Material data

|                      |   |                        |
|----------------------|---|------------------------|
| Material             | ABS (acrylonitrile butadien styrene)                  |                        |
|                      | Density   | 1.05 g/cm <sup>3</sup> |
|                      | Colour  | SE white 3 RAL9003     |
| Material             | PC/ABS (polycarbonate/acrylonitrile butadien styrene) |                        |
|                      | Density   | 1.18 g/cm <sup>3</sup> |
|                      | Colour  | SE white 3 RAL9003     |
| Material             | Ureaformaldehyde                                      |                        |
|                      | Density   | 1.5 g/cm <sup>3</sup>  |
|                      | Colour  | SE white 7 RAL9007     |
| Electrical data      | Approved for 440 V                                    |                        |
| Temperature range    | -25°C – +60°C   |                        |
| Suitable outdoors    | Suitable products are available in the range          |                        |
| Degree of protection | From IP20 to IP67                                     |                        |

## Box K90

|         | Type   | Colour           | Dimensions<br>A/B/C (mm) |  | Qty per<br>package | EAN code      | Ref. No. |
|---------|--|------------------|--------------------------|---|--------------------|---------------|----------|
|         | <b>Without terminal block</b>  |                  |                          |   |                    |               |          |
|         | Surface mounted junction box with snap-fitted cover and fixings for terminal blocks. IP20.<br>Material: PC / ABS.  |                  |                          |   |                    |               |          |
| P147151 | KBS 60   | White<br>RAL9003 | 60/33/90                 |   | 10                 | 3606481166463 | IMT34057 |
|         | <b>With terminal block, screw-type</b>   |                  |                          |   |                    |               |          |
|         | Surface mounted junction box with snap-fitted cover and 6-pole screw-type terminal block. IP20. Max. cable area 4x1.5 mm <sup>2</sup> or 3x2.5 mm <sup>2</sup> . 440 V.<br>Material: PC / ABS. |                  |                          |   |                    |               |          |
| P147152 | KBS66  | White<br>RAL9003 | 60/33/90                 |   | 10                 | 3606481166470 | IMT34058 |


## Box K60, KB65

|         |  |                  |           |  |    |               |          |
|---------|--|------------------|-----------|--|----|---------------|----------|
|         | <b>Without terminal block</b>  |                  |           |  |    |               |          |
|         | Surface mounted junction box with screw-fixed cover. IP20. 440 V.<br>Material: PA6/PP.   |                  |           |  |    |               |          |
| P147155 | K60  | White<br>RAL9003 | 60/30/60  |  | 5  | 3606481166494 | IMT34092 |
|         | K60 Provided with a label<br>with Russian text   | White<br>RAL9003 | 60/30/60  |  | 5  | 3606481166609 | IMT34351 |
|         | <b>With terminal block, screw-type</b>   |                  |           |  |    |               |          |
|         | Surface mounted junction box with screw-fixed cover and 5-pole screw-type terminal block. IP20. Max. cable area 4x1.5 mm <sup>2</sup> or 3x2.5 mm <sup>2</sup> . 440 V.<br>Material: PA6/PP. |                  |           |  |    |               |          |
| P147156 | K60  | White<br>RAL9003 | 60/30/60  |  | 5  | 3606481166500 | IMT34093 |
|         | K60 Provided with a label<br>with Russian text   | White<br>RAL9003 | 60/30/60  |  | 5  | 3606481166616 | IMT34352 |
|         | <b>Without terminal block</b>  |                  |           |  |    |               |          |
|         | Surface mounted junction box with screw-fixed cover and 2x3-pole screw-type terminal blocks. For mounting close to ceilings. IP20.<br>Material: PC / ABS.                                    |                  |           |  |    |               |          |
| P147170 | KB65   | White<br>RAL9003 | 45/32/109 |  | 10 | 3606481166487 | IMT34068 |

## Box U56

|         |  |                  |          |  |   |               |          |
|---------|--|------------------|----------|--|---|---------------|----------|
|         | <b>Without terminal block</b>  |                  |          |  |   |               |          |
|         | Surface mounted junction box with screw-fixed cover. With ten grommets for cables up to Ø14 mm. IP65.<br>Material: ABS.  |                  |          |  |   |               |          |
| P147157 | U56  | White<br>RAL9003 | 87/39/87 |  | 5 | 3606481158086 | IMT34076 |
|         | U56 Provided with a label<br>with Russian text   | White<br>RAL9003 | 87/39/87 |  | 5 | 3606481158192 | IMT34349 |
|         | <b>With terminal block, screw-type</b>   |                  |          |  |   |               |          |
|         | Surface mounted junction box with screw-fixed cover and screw-type terminal blocks. With ten grommets for cables up to Ø14 mm. IP65.<br>Material: ABS.           |                  |          |  |   |               |          |
| P147158 | U56<br>5-pole screw terminal   | White<br>RAL9003 | 87/39/87 |  | 5 | 3606481158093 | IMT34077 |
|         | U56<br>5-pole screw terminal,<br>provided with a label with<br>Russian text  | White<br>RAL9003 | 87/39/87 |  | 5 | 3606481158208 | IMT34350 |
| P147160 | U56<br>2x3-pole screw terminals  | White<br>RAL9003 | 87/39/87 |  | 5 | 3606481158123 | IMT34095 |
|         | <b>With terminal block, push-in type</b>   |                  |          |  |   |               |          |
|         | Surface mounted junction box with screw-fixed cover and 6-pole push-in terminal blocks. With ten grommets for cables up to Ø14 mm. IP65.<br>Material: ABS.       |                  |          |  |   |               |          |
| P147159 | U56  | White<br>RAL9003 | 87/39/87 |  | 5 | 3606481158116 | IMT34094 |
|         | <b>Fire-resistant, without terminal block</b>  |                  |          |  |   |               |          |
|         | Surface mounted junction box with screw-fixed cover. Fire-resistant according to UL 94 V0. With ten grommets for cables up to Ø14 mm. IP65.<br>Material: PC/ABS. |                  |          |  |   |               |          |
| P147157 | U56  | White<br>RAL9003 | 87/39/87 |  | 5 | 3606481158154 | IMT34126 |

## Box U56

|         | Type   | Colour           | Dimensions A/B/C (mm) |  | Qty per package | EAN code      | Ref. No.        |
|---------|--|------------------|-----------------------|---|-----------------|---------------|-----------------|
| P147158 | <b>Fire-resistant, with terminal block, screw-type</b>   |                  |                       |   |                 |               |                 |
|         | Surface mounted junction box with screw-fixed cover and 5-pole screw-type terminal block. Fire-resistant according to UL 94 V0. With ten grommets for cables up to Ø14 mm. IP65. Material: PC/ABS. |                  |                       |   |                 |               |                 |
|         | U56  | White<br>RAL9003 | 87/39/87              |   | 5               | 3606481158161 | <b>IMT34127</b> |
| P147171 | <b>Click-lid box, without terminal block</b>   |                  |                       |   |                 |               |                 |
|         | Surface mounted junction box with click lid. With ten grommets for cables up to Ø14 mm. IP65. Material: ABS.   |                  |                       |   |                 |               |                 |
|         | U56  | White<br>RAL9003 | 87/39/87              |   | 5               | 3606481158178 | <b>IMT34128</b> |
| P147161 | <b>Mounted on cable-tray plate, without terminal block</b>   |                  |                       |   |                 |               |                 |
|         | Surface mounted junction box with screw-fixed cover mounted on a cable-tray plate. With ten grommets for cables up to Ø14 mm. IP65. Material: ABS.   |                  |                       |   |                 |               |                 |
|         | U56  | White<br>RAL9003 | 120/39/180            |   | 5               | 3606481158130 | <b>IMT34096</b> |
| P112372 | <b>Mounted on cable-tray plate, with terminal block, screw-type</b>  |                  |                       |   |                 |               |                 |
|         | Surface mounted junction box with screw-fixed cover and 5-pole screw-type terminal block, mounted on a cable-tray plate. With ten grommets for cables up to Ø14 mm. IP65. Material: ABS.           |                  |                       |   |                 |               |                 |
|         | U56  | White<br>RAL9003 | 120/39/180            |   | 5               | 3606481158147 | <b>IMT34097</b> |

## Box 350

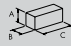
|         | Type  | Colour           | Dimensions A/B/C (mm) |  | Qty per package | EAN code      | Ref. No.        |
|---------|---|------------------|-----------------------|--|-----------------|---------------|-----------------|
| P112373 | <b>With terminal block, screw-type</b>  |                  |                       |  |                 |               |                 |
|         | Surface mounted junction box with screw-fixed cover, 5-pole screw-type terminal block and cable glands. Fire-resistant AC. to UL 94 V0. IP67. Material: Ureaformaldehyde. |                  |                       |  |                 |               |                 |
|         | 350 series<br>1 up/1 down   | White<br>RAL9007 | 126/45/86             |  | 10              | 3606480148279 | <b>IMT36098</b> |
| P112374 |   |                  |                       |  |                 |               |                 |
|         | 350 series<br>1 up/1 down/1 right   | White<br>RAL9007 | 126/45/106            |  | 10              | 3606480148286 | <b>IMT36099</b> |
| P112375 |   |                  |                       |  |                 |               |                 |
|         | 350 series<br>2 up/1 down   | White<br>RAL9007 | 126/45/86             |  | 10              | 3606480148293 | <b>IMT36100</b> |
| P112376 |   |                  |                       |  |                 |               |                 |
|         | 350 series<br>2 up/2 down   | White<br>RAL9007 | 126/45/86             |  | 10              | 3606480148309 | <b>IMT36101</b> |

## Box EL-SAN

|         | Type  | Colour           | Dimensions A/B/C (mm) |  | Qty per package | EAN code      | Ref. No.        |
|---------|---|------------------|-----------------------|--|-----------------|---------------|-----------------|
| P112412 | <b>Without terminal block</b>   |                  |                       |  |                 |               |                 |
|         | Surface mounted junction box with screw-fixed cover, including an earthing system with earth wires and steel plates. To be used where electromagnetic radiation has to be kept low. IP44. Material: ABS, sheet steel. |                  |                       |  |                 |               |                 |
|         | EL-SAN  | White<br>RAL9010 | 82/39/82              |  | 1               | 3606480148590 | <b>IMT36186</b> |
| P112413 |   |                  |                       |  |                 |               |                 |
|         | EL-SAN  | White<br>RAL9010 | 82/55/82              |  | 1               | 3606480148606 | <b>IMT36187</b> |



## Accessories K90, K60, KB65, U56

|                              | Type   | Colour           | Dimensions<br>A/B/C (mm) |  | Qty per<br>package | EAN code      | Ref. No.   |
|------------------------------|--|------------------|--------------------------|---|--------------------|---------------|------------|
| <b>Terminal blocks</b>       |  |                  |                          |   |                    |               |            |
| P112377                      | 3-pole screw-type terminal block for use in U56 junction boxes. Cable range 1.5-2.5 mm <sup>2</sup> . 440 V.<br>Material: PA.  |                  |                          |   |                    |               |            |
|                              | U56 Screw terminal   | Green            | 25/9/31                  |   | 10                 | 3606485135915 | IMT36089   |
| P112415                      | 5-pole screw-type terminal block for use in U56 junction boxes. Max cable area 3x2.5 mm <sup>2</sup> .<br>Material: PA.  |                  |                          |   |                    |               |            |
|                              | U56 Screw terminal   | Green            | 20/25/51                 |   | 10                 | 3606485135885 | IMT36086   |
| P92605                       | 6-pole push-in terminal block approved for max 85°C. Max cable area 6x2.5 mm <sup>2</sup> . For K90/U56 with terminal plate.<br>Material: PA.                                    |                  |                          |   |                    |               |            |
|                              | K90/U56 Push-in terminal   | White            | 15/15/15                 |   | 50                 | 6438054006749 | WDE0000010 |
| <b>Terminal plate</b>        |  |                  |                          |   |                    |               |            |
| P112380                      | Terminal plate for fixation of screw-type or push-in terminal blocks in U56 junction boxes.<br>Material: ABS.  |                  |                          |   |                    |               |            |
|                              | U56 Terminal plate   | White            | 70/5.5/42                |   | 10                 | 3606485135908 | IMT36088   |
| <b>Strain relief devices</b> |  |                  |                          |   |                    |               |            |
| P112378                      | Strain relief for K90 junction boxes. Can also be used with U56 terminal plate in U56 junction box.<br>Material: Thermoplastic.  |                  |                          |   |                    |               |            |
|                              | K90 Strain relief  | White            | 32/9/17                  |   | 10                 | 3606480148316 | IMT36102   |
| P112382                      | Strain relief for U56 junction boxes. Max cable diameter 14 mm <sup>2</sup> .<br>Material: ABS.  |                  |                          |   |                    |               |            |
|                              | U56 Strain relief  | White            | 27/46/56                 |   | 10                 | 3606485135861 | IMT36084   |
| P112388                      | Strain relief for K60 junction boxes. Also suitable for KB65 junction box.<br>Material: PA.  |                  |                          |   |                    |               |            |
|                              | K60 Strain relief  | White            | 42/20/24                 |   | 10                 | 3606480148569 | IMT36109   |
| <b>Mounting plate</b>        |  |                  |                          |   |                    |               |            |
| P112379                      | Mounting plate for wire cables with a maximum cross section of Ø10 mm.<br>Material: Sheet steel.   |                  |                          |   |                    |               |            |
|                              | Mounting plate   | —                | 80/2/210                 |   | 10                 | 3606480148545 | IMT36103   |
| <b>Grommets</b>              |  |                  |                          |   |                    |               |            |
| P112381                      | Replacement grommet for U56 junction boxes.<br>Material: SEBS.   |                  |                          |   |                    |               |            |
|                              | U56 Grommet  | White<br>RAL9003 | 8/23/23                  |   | 10                 | 3606481158109 | IMT34085   |
| P112381                      | Small grommet for U56 junction boxes, fire-resistant.<br>Material: SEBS.   |                  |                          |   |                    |               |            |
|                              | U56 Grommet  | White<br>RAL9003 | 7/22/22                  |   | 10                 | 3606481158185 | IMT34129   |
| <b>Partition wall</b>        |  |                  |                          |   |                    |               |            |
| P112383                      | Partition wall to be used in U56 junction boxes. To divide the box in two separate compartments, for the separation of power and low voltage cables.<br>Material: Thermoplastic. |                  |                          |   |                    |               |            |
|                              | U56 Separation wall  | Green            | 32/-/80                  |   | 5                  | 3606480148323 | IMT36104   |
| <b>Spacer</b>                |  |                  |                          |   |                    |               |            |
| P112386                      | Spacer for surface mounted junction boxes.<br>Material: PA.  |                  |                          |   |                    |               |            |
|                              | Spacer   | White            | 15/14/18                 |   | 10                 | 3606480148552 | IMT36107   |
| <b>Pliers</b>                |  |                  |                          |   |                    |               |            |
| P112387                      | Pliers for cutting holes in junction boxes with IP20 classification.<br>Material: Steel.   |                  |                          |   |                    |               |            |
|                              | Cutting pliers   | Black/green      | 150/60/200               |   | 1                  | 3606480148354 | IMT36108   |

## Box TED-001

| Type  | Colour           | Dimensions<br>A/B/C (mm) | Qty per<br>package | EAN code      | Ref. No.        |
|---|------------------|--------------------------|--------------------|---------------|-----------------|
| <b>Without terminal block</b>   |                  |                          |                    |               |                 |
| Surface mounted junction box with screw-fixed cover. IP20.<br>Material: PC/ABS. |                  |                          |                    |               |                 |
| TED-001   | White<br>RAL9003 | 60/25/91                 | 5                  | 3606481166555 | <b>IMT34115</b> |

## Box TED-002

|   |                  |          |   |               |                 |
|---|------------------|----------|---|---------------|-----------------|
| <b>Without terminal block</b>   |                  |          |   |               |                 |
| Surface mounted junction box with screw-fixed cover. IP20.<br>Material: PC/ABS.   |                  |          |   |               |                 |
| TED-002   | White<br>RAL9003 | 61/31/78 | 5 | 3606481166562 | <b>IMT34117</b> |
| <b>With terminal block, screw-type</b>  |                  |          |   |               |                 |
| Surface mounted junction box with screw-fixed cover and 6-pole screw-type terminal block KP18. IP20.<br>Material: PC/ABS. |                  |          |   |               |                 |
| TED-002   | White<br>RAL9003 | 61/31/78 | 5 | 3606481166579 | <b>IMT34119</b> |


## Box TED-012

|   |                  |            |   |               |                 |
|---|------------------|------------|---|---------------|-----------------|
| <b>Without terminal block</b>   |                  |            |   |               |                 |
| Surface mounted junction box with screw-fixed cover. IP54.<br>Material: ABS.                                      |                  |            |   |               |                 |
| TED-012   | White<br>RAL9003 | 100/49/100 | 5 | 3606481166517 | <b>IMT34111</b> |
| <b>With terminal block, screw-type</b>  |                  |            |   |               |                 |
| Surface mounted junction box with screw-fixed cover and 6-pole screw-type terminal block. IP54.<br>Material: ABS. |                  |            |   |               |                 |
| TED-012   | White<br>RAL9003 | 100/49/100 | 5 | 3606481166524 | <b>IMT34112</b> |

## Box TED-022

|  |                  |            |   |               |                 |
|--|------------------|------------|---|---------------|-----------------|
| <b>Without terminal block</b>  |                  |            |   |               |                 |
| Surface mounted junction box with screw-fixed cover. IP67.<br>Material: ABS.   |                  |            |   |               |                 |
| TED-022  | White<br>RAL9003 | 100/49/100 | 5 | 3606481166531 | <b>IMT34113</b> |
| <b>With terminal block, screw-type</b>   |                  |            |   |               |                 |
| Surface mounted junction box with screw-fixed cover and 6-pole screw-type terminal block KP18. IP67.<br>Material: ABS. |                  |            |   |               |                 |
| TED-022  | White<br>RAL9003 | 100/49/100 | 5 | 3606481166548 | <b>IMT34114</b> |

## Accessories TED

|  | Type                           | Colour           | Dimensions<br>A/B/C (mm) |  | Qty per<br>package | EAN code      | Ref. No. |
|--|--------------------------------|------------------|--------------------------|---|--------------------|---------------|----------|
| <b>Strain relief devices</b>   |                                |                  |                          |   |                    |               |          |
| Strain relief for TED boxes IP20-IP65. For strain relief of cables up to Ø 14 and 20 mm respectively.<br>Material: PA. |                                |                  |                          |   |                    |               |          |
| P112401  | TED-DAV14<br>Up to Ø14 mm      | Grey             | 23/60/31.5               |   | 5                  | 3606485135823 | IMT36080 |
| P112402  | TED-DAV20<br>Up to Ø20 mm      | Grey             | 27.5/61/37               |   | 5                  | 3606485135830 | IMT36081 |
| <b>Grommets</b>  |                                |                  |                          |   |                    |               |          |
| Replacement grommets for surface mounted junction boxes.<br>Material: EBA.   |                                |                  |                          |   |                    |               |          |
| P112408  | TED-NP012<br>For TED-012 boxes | White<br>RAL9003 | Ø27.5/8.8                |   | 10                 | 3606481166586 | IMT34124 |
| P112409  | TED-NP022<br>For TED-022 boxes | White<br>RAL9003 | Ø29/15                   |   | 10                 | 3606481166593 | IMT34125 |
| <b>Screw terminal</b>  |                                |                  |                          |   |                    |               |          |
| 6-pole screw-type terminal block for TED junction boxes. Max cable area 6 mm <sup>2</sup> .<br>Material: PA.           |                                |                  |                          |   |                    |               |          |
| P112410  | TED-KP18                       | Red              | 25/20/55                 |   | 5                  | 3606485135854 | IMT36083 |
| <b>Wire bracket/spacer</b>   |                                |                  |                          |   |                    |               |          |
| Combined wire bracket and spacer for TED junction boxes with IP54 and IP65.<br>Material: PC.                           |                                |                  |                          |   |                    |               |          |
| P112403  | TED-L/D                        | White            | 14/5/87                  |   | 5                  | 3606480148446 | IMT36120 |
| <b>Pliers</b>  |                                |                  |                          |   |                    |               |          |
| Pliers for cutting holes in junction boxes with IP20 degree of protection.<br>Material: Steel.                         |                                |                  |                          |   |                    |               |          |
| P112387  | Cutting pliers                 | Black/green      | 150/60/200               |   | 1                  | 3606480148354 | IMT36108 |

## Compatible products, Thorsman range

|   |             |       |          |  |     |               |         |
|---|-------------|-------|----------|--|-----|---------------|---------|
| <b>Twist-on connector</b>   |             |       |          |  |     |               |         |
| Twist-on connector for the connection of all kinds and combinations of wire. A test hole at the top of the connector ensures quick and easy testing of the connection with ordinary testing instruments.<br>Material: PA.   |             |       |          |  |     |               |         |
| P4604   | TORIX T6    | Red   | 20/14/28 |  | 100 | 7315883000218 | 3000210 |
| <b>Installation screw with cup washer</b>   |             |       |          |  |     |               |         |
| Installation screw with cross-slotted head type PH2. Sharp point, fully threaded. High pitch for quick mounting.<br>Provided with a cup washer for screw-head protection.<br>Material: Hardened steel (electro-zinc), PP.   |             |       |          |  |     |               |         |
| P99119  | TFT-IS5x32  | —     | Ø5/32    |  | 100 | 7332418018203 | 4020210 |
| <b>Wood screw</b>   |             |       |          |  |     |               |         |
| Wood screw with panhead, Philips cross recess. Twin thread, sharp point. Fully threaded. Suitable for wood and wood fibreboard and together with plugs. Mounting with cross-point or power screwdriver.<br>Material: Steel (electro-zinc).  |             |       |          |  |     |               |         |
| P81322  | TGS-52      | —     | Ø4.2/38  |  | 100 | 7315880054849 | 3709855 |
|   | TGS-53      | —     | Ø4.2/45  |  | 100 | 7315883709869 | 3709860 |
| <b>Nail plug</b>  |             |       |          |  |     |               |         |
| Nail plug for all types of through installation, such as electrical trunking, switches, battens, clamps, boxes, door/window frames. Suitable for concrete, stone, low density concrete, expanded clay, hollow bricks and blocks, solid bricks and plasterboard. The plug provides a powerful expansion.<br>Material: PA, steel. |             |       |          |  |     |               |         |
| P98051  | TPS-5/20x50 | Clear | Ø5/50    |  | 100 | 7315881149704 | 1149707 |

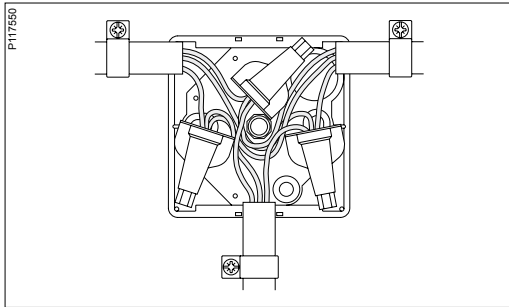
## Compatible products, Thorsman range

| Type   | Colour | Dimensions<br>Ø/L (mm) | Qty per<br>package | EAN code      | Ref. No.       |
|--|--------|------------------------|--------------------|---------------|----------------|
| <b>Self-tapping collar screw</b>   |        |                        |                    |               |                |
| Self-tapping collar screw with hexagon head 1/4" and Phillips cross recess. Collar dia. 8.3 mm. Drill point, single self-tapping thread, fully threaded. Fastened without pilot drilling. Suitable for sheet steel, maximum 2x1.5 mm. Mounting with cross-point screwdriver or magnetic socket.<br>Material: Steel (electro-zinc).   |        |                        |                    |               |                |
| TSB-8x1/2  | —      | Ø4.2/13                | 100                | 7315883780714 | <b>3780710</b> |
| TSB-8x3/4  | —      | Ø4.2/19                | 100                | 7315880047445 | <b>3780715</b> |
| <b>Collar screw</b>  |        |                        |                    |               |                |
| Collar screw with hexagon head. Phillips cross recess. Twin thread, fully threaded. Suitable for wood and wood fibreboard, sheet steel, and together with plugs. Mounting with cross-point screwdriver or magnetic socket.<br>Material: Steel (electro-zinc).  |        |                        |                    |               |                |
| TST-8x1  | —      | Ø4.2/25                | 100                | 7315880044420 | <b>3780220</b> |
| TST-8x11/2   | —      | Ø4.2/38                | 100                | 7315880044444 | <b>3780230</b> |
| <b>Wall plug</b>   |        |                        |                    |               |                |
| Wall plug suitable for use in concrete, stone, lightweight concrete, expanded clay, hollow bricks, solid bricks and plasterboard.<br>Material: PE-HD.  |        |                        |                    |               |                |
| TP 1   | Yellow | Ø5.5/22                | 100                | 7315881001002 | <b>1001007</b> |
| TP 2   | Red    | Ø5.5/35                | 100                | 7315881003006 | <b>1003003</b> |
| <b>Cavity fixing</b>   |        |                        |                    |               |                |
| Cavity fixing for lightweight installations in plasterboard, including wood screw with cross-slot Pozidriv 2.<br>Material: Zinc. Electroplated steel screw.  |        |                        |                    |               |                |
| TPD-SK   | —      | Ø4.5/35                | 100                | 7315880114291 | <b>1220104</b> |
| Cavity fixing including screw with panhead and Phillips cross recess. Sharp point, twin thread, fully threaded, length 38 mm. The shape of THW prevents it from rotating. No pre-drilling needed, just hammer in. Excellent for porous and thin material. Pull-out load 100 N, safety factor 3. Shear load 100N, safety factor 2.5. Board thickness 6-13 mm, max. thickness of fixture 16 mm.<br>Material: Steel (electro-zinc). |        |                        |                    |               |                |
| THW 4.2x38   | —      | 10/30/12               | 50                 | 7315881260171 | <b>1260170</b> |
| <b>Screw bits</b>  |        |                        |                    |               |                |
| 1/4 hexagon drive end, various lengths (25, 50 or 110 mm, see below). Adapted to the Thorsman range of installation screws with Phillips cross recess.<br>Material: Hardened steel.  |        |                        |                    |               |                |
| PH 2x25  | —      | 1/4"/25                | 2                  | 7315881772056 | <b>1772054</b> |
| PH 2x25 Reduced  | —      | 1/4"/25                | 2                  | 7315880056294 | <b>1772052</b> |
| PH 2x50  | —      | 1/4"/50                | 2                  | 7315880055273 | <b>1772056</b> |
| PH 2x110   | —      | 1/4"/110               | 2                  | 7315880055297 | <b>1772058</b> |
| <b>Magnetic sockets</b>  |        |                        |                    |               |                |
| Magnetic socket with 1/4" hexagon drive end. Internal hexagon with magnet. Suitable for screws with a 1/4" hexagon head. To be used together with a screw-driver.<br>Material: Steel.  |        |                        |                    |               |                |
| TST-V 10x45  | —      | 1/4"/45                | 1                  | 7315880055259 | <b>1772125</b> |
| TST-V 9x100  | —      | 1/4"/100               | 1                  | 7315881772124 | <b>1772120</b> |
| Specially suited for tight spaces  |        |                        |                    |               |                |

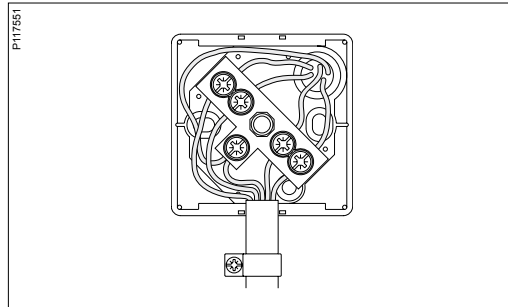
# Connection examples

## IP20 boxes

### K60, K90 TED-002 boxes



Junction box K60 connected with TORIX twist-on connectors.

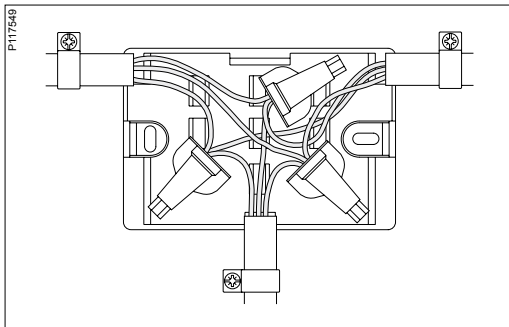


Junction box K60 with cable entry from the wall connected with a 5-pole screw terminal.

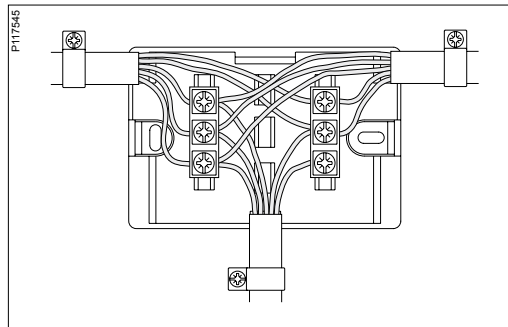
#### Examples

##### K60 box

K60 can be connected with TORIX or with a 5-pole screw terminal.



Junction box K90 connected with TORIX twist-on connectors.

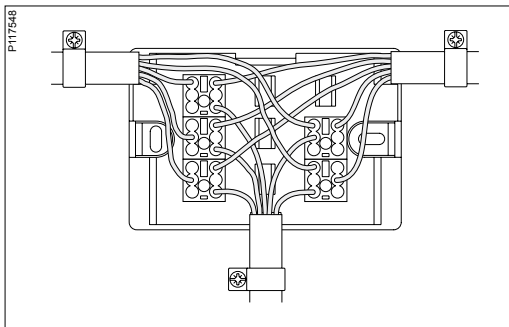


Junction box K90 connected with two 3-pole screw terminals.

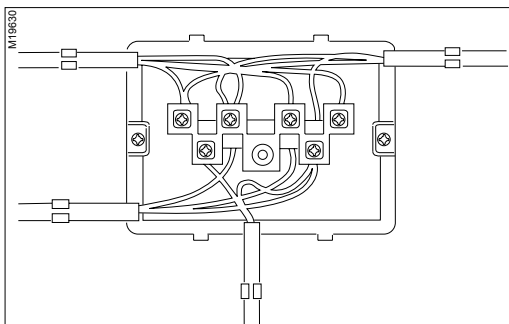
#### Examples

##### K90 box

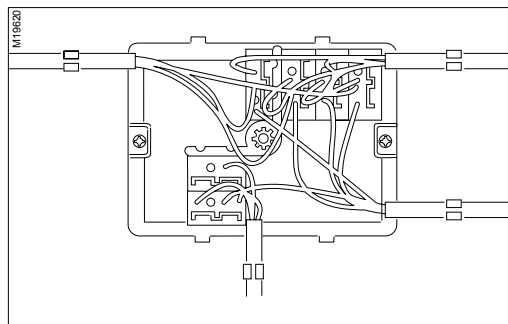
K90 can be connected with TORIX, with pre-assembled 2x3-pole screw terminals or with five push-in terminals.



Junction box K90 connected with five push-in terminals.



TED-002 connected with screw terminal TED-KP18.



TED-002 connected with push-in terminal.

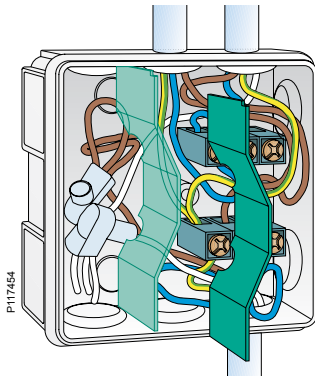
#### Examples

##### TED boxes

TED boxes can be connected with push-in terminal, screw terminal or TORIX. It's your choice!

# Mounting and connection examples

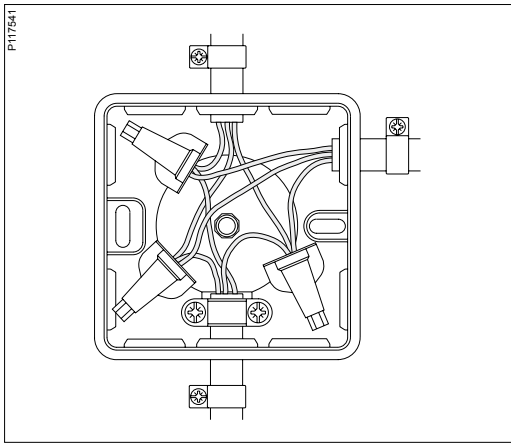
## U56 boxes



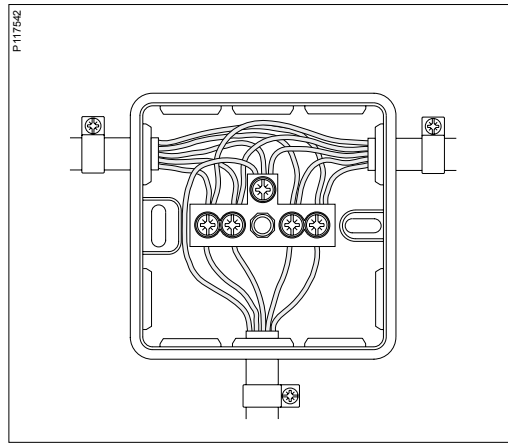
### Mounting of a partition wall in the U56 box

The partition wall should be threaded onto the centre pillar of the box, locked between the grommets. The strain relief device IMT36084 can be used but encroaches slightly on the space for connections. The terminal plate IMT36088 and the screw terminal IMT36089, or alternatively the push-in terminal WDE000010, may well be used together with the partition wall.

If mains cables and low voltage cables enter or leave the box through the same entrance or exit, a passage should be cut open in the lower edge of the partition wall. A suitable tool is the cutting pliers IMT36108.



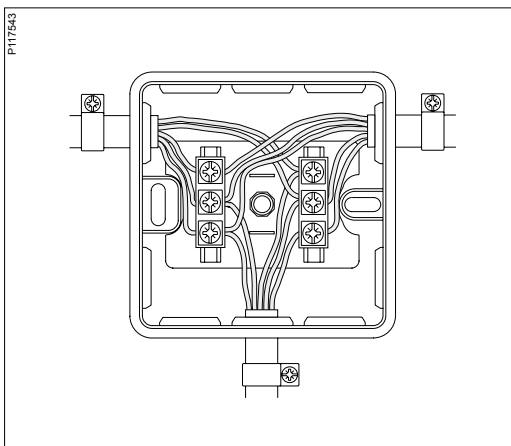
U56 box with strain relief device and connected with TORIX twist-on connectors.



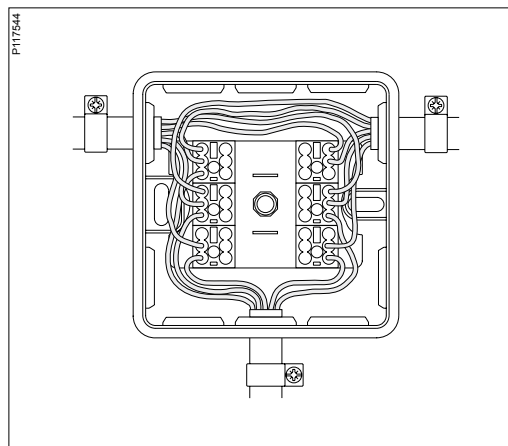
U56 box connected with a 5-pole screw terminal.

### Examples U56 box

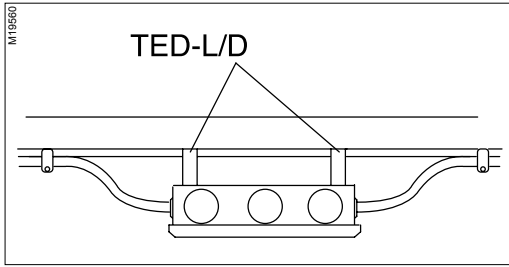
The U56 box can be connected with TORIX, with a pre-assembled 5-pole screw terminal, with 2x3-pole screw terminals or with six push-in terminals. The U56 box can be provided with up to two strain relief devices.



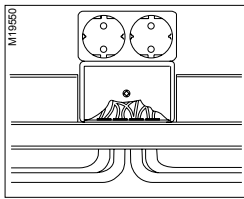
U56 box connected with two 3-pole screw terminals.



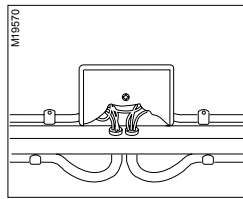
U56 box connected with six push-in terminals.



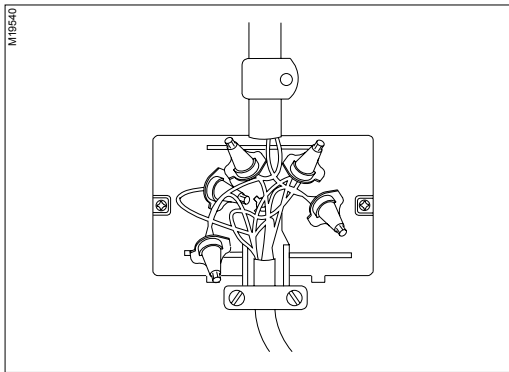
Wire bracket/spacer TED-L/D should be used if cables need to pass the box.



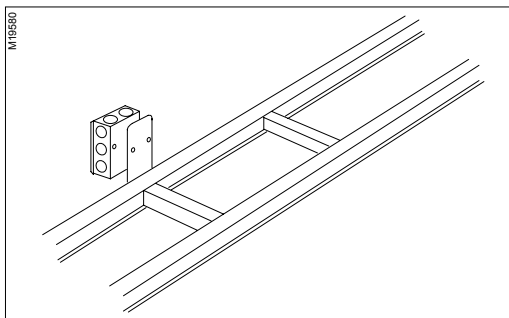
Transition between conduits and a surface mounted cable.



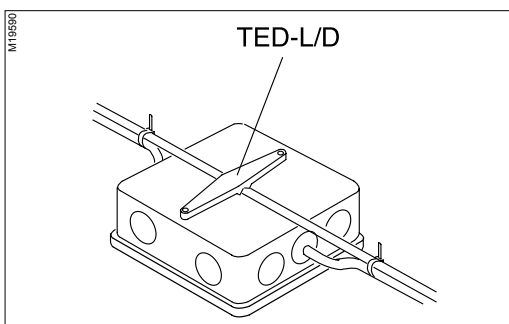
Box mounted on a skirting with conduits from below.



Strain relief device for rubber cable, to be used outside or inside the box.



Standing installation on the side of the ladder.



Use the wire bracket/spacer TED-L/D for installations on wire.

### Fixing elements

For the mounting of Mureva surface mounted boxes we recommend the following fixing material:

- TGS wood screw for wood, fibreboards and for mounting with wall plugs.
- TST collar screw for sheet steel (can be used in 2 mm without pilot drilling) and for mounting with wall plugs.
- TSB collar screw for sheet steel 2x1.5 mm. Self-tapping screw with drill point for steel or sheet steel.
- TP wall plug or TPS nail plug for concrete, stone, low density concrete, expanded clay, hollow bricks and blocks, solid bricks and plasterboard.
- Use the long 1/4" magnetic socket for TST and TSB.
- Long screw bits makes the mounting of Mureva junction boxes easier.

### Strain relief

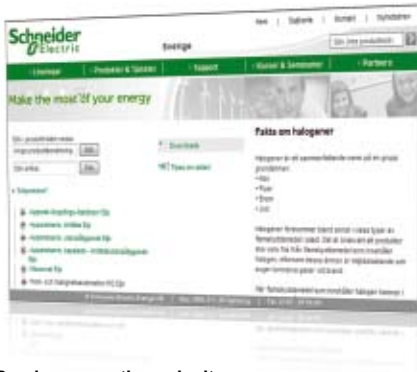
The strain relief device TED-DAV is suitable for all surface mounted junction boxes and can be installed both outside and inside the box.

### Mounting on ladder or tray

Junction box U56 with pre-assembled cable-tray plate is to be used for mounting on ladder or tray. A box plate made by for instance Wibe could also be used. The boxes can be fixed either standing or hanging.

### Mounting on wire

By using the wire bracket/spacer TED-L/D you can mount, TED-012 and TED-022 on a wire. The bracket is screw-fixed to the boxes through their screw notches.



#### Read more on the web site

You will find more information about halogen-free products and other environmental facts on our web site, [www.schneider-electric.se](http://www.schneider-electric.se)

## What are halogens?

Halogens are formed when certain specific elements are being mixed. They are fluorine, chlorine, bromine and iodine. These salts and minerals do no harm when they occur one by one, in small amounts and in their natural places. Quite the contrary, they are really needed for various chemical processes in the earth crust and in the oceans. But ever since halogens became frequent as flame retardants in electric products, their harmful effects have become obvious. Like lead, halogens are absorbed and stored by all living organisms, and they decompose just as slowly and are extremely toxic.

## Why are they dangerous?

Experiments on animals have shown that bromated flame retardants can have an effect on sex hormones and thyroxines. This may result in metabolic disturbance, learning difficulties, impaired memory and injuries to the liver, the skin and the central nervous system. Before 1960 no halogens were in use, and studies show that there was no occurrence of PBDE (halogens) in the blood of humans at the time. But today the content of PBDE is doubled every fifth year in both humans and wild animals.

## 100% halogen-free is the choice for us!

We take you, your health and our environment just as seriously as the products that we produce and sell. Therefore, as early as in 2004 Schneider Electric decided to immediately stop using flame retardants containing halogens. However, other companies have decided to phase out their use.

## List of web links

1. Flame Retardants: Alarming Increases in Humans and the Environment, [www.noharm.org](http://www.noharm.org), January 2006  
Link to the web: <http://209.85.229.132/search?q=cache:4OcOkQRVhcMJ:www.noharm.org/details.cfm%3FID%3D1098+halogenated+flame+retardants&cd=3&hl=sv&ct=clnk&gl=se>
2. A Research Front Map INTERVIEW with Dr. Per Ola Darnerud, August 2007  
Link to the web: <http://www.esi-topics.com/pbde/interviews/RF-PerOlaDarnerud.html>
3. RoHS, Restriction on Hazardous Substances, EU-directive, The RoHS regulation (Directive 2002/95/EC)  
Link to the web: [http://ec.europa.eu/environment/waste/weee/index\\_en.htm](http://ec.europa.eu/environment/waste/weee/index_en.htm)
4. WEEE, Waste Electrical and Electronic Equipment, (Directive 2002/96/EC)  
Link to the web: [http://ec.europa.eu/environment/waste/weee/index\\_en.htm](http://ec.europa.eu/environment/waste/weee/index_en.htm)
5. REACH, Registration Evaluation Authorisation and Restriction of Chemicals, regulation EG/1907/2006 of the EU parliament  
Link to the web: [http://ec.europa.eu/enterprise/reach/index\\_en.htm](http://ec.europa.eu/enterprise/reach/index_en.htm)
6. Underwriters Laboratories: EU Bans on Halogenated Flame Retardants in 2006  
Link to the web: [http://www.ul-asia.com/news\\_nl/2003-Issue08/page8.htm](http://www.ul-asia.com/news_nl/2003-Issue08/page8.htm)



| Ref. No. ....   | Page   |
|-----------------|--------|
| <b>1001000</b>  |        |
| 1001007.....    | 20     |
| 1003003.....    | 20     |
| 1149707.....    | 19     |
| 1220104.....    | 20     |
| 1260170.....    | 20     |
| 1772052.....    | 20     |
| 1772054.....    | 20     |
| 1772056.....    | 20     |
| 1772058.....    | 20     |
| 1772120.....    | 20     |
| 1772125.....    | 20     |
| <b>3000200</b>  |        |
| 3000210.....    | 19     |
| 3709855.....    | 19     |
| 3709860.....    | 19     |
| 3780220.....    | 20     |
| 3780230.....    | 20     |
| 3780710.....    | 20     |
| 3780715.....    | 20     |
| <b>4020200</b>  |        |
| 4020210.....    | 19     |
| <b>IMT</b>      |        |
| IMT34057.....   | 15     |
| IMT34058.....   | 15     |
| IMT34068.....   | 15     |
| IMT34076.....   | 15     |
| IMT34077.....   | 15     |
| IMT34085.....   | 17     |
| IMT34092.....   | 15     |
| IMT34093.....   | 15     |
| IMT34094.....   | 15     |
| IMT34095.....   | 15     |
| IMT34096.....   | 16     |
| IMT34097.....   | 16     |
| IMT34111.....   | 18     |
| IMT34112.....   | 18     |
| IMT34113.....   | 18     |
| IMT34114.....   | 18     |
| IMT34115.....   | 18     |
| IMT34117.....   | 18     |
| IMT34119.....   | 18     |
| IMT34124.....   | 19     |
| IMT34125.....   | 19     |
| IMT34126.....   | 15     |
| IMT34127.....   | 16     |
| IMT34128.....   | 16     |
| IMT34129.....   | 17     |
| IMT34349.....   | 15     |
| IMT34350.....   | 15     |
| IMT34351.....   | 15     |
| IMT34352.....   | 15     |
| IMT36080.....   | 19     |
| IMT36081.....   | 19     |
| IMT36083.....   | 19     |
| IMT36084.....   | 17     |
| IMT36086.....   | 17     |
| IMT36088.....   | 17     |
| IMT36089.....   | 17     |
| IMT36098.....   | 16     |
| IMT36099.....   | 16     |
| IMT36100.....   | 16     |
| IMT36101.....   | 16     |
| IMT36102.....   | 17     |
| IMT36103.....   | 17     |
| IMT36104.....   | 17     |
| IMT36107.....   | 17     |
| IMT36108.....   | 17, 19 |
| IMT36109.....   | 17     |
| IMT36120.....   | 19     |
| IMT36186.....   | 16     |
| IMT36187.....   | 16     |
| <b>WDE</b>      |        |
| WDE0000010..... | 17     |





# Green Premium™

Endorsing the most eco-friendly products in the industry



## Green Premium™ Product

Green Premium is the only label that allows you to effectively develop and promote an environmental policy whilst preserving your business efficiency. This ecolabel guarantees compliance with the most up-to-date environmental regulations, but it does more than this.

Over 75% of Schneider Electric manufactured products have been awarded the Green Premium ecolabel



Discover what we mean by green ....

**Check your products!**

Schneider Electric's Green Premium ecolabel is committed to offering transparency, by disclosing extensive and reliable information related to the environmental impact of its products:

### RoHS

Schneider Electric products are subject to RoHS requirements at a worldwide level, even for the many products that are not required to comply with the terms of the regulation. Compliance certificates are available for products that fulfil the criteria of this European initiative, which aims to eliminate hazardous substances.

### REACH

Schneider Electric applies the strict REACH regulation on its products at a worldwide level, and discloses extensive information concerning the presence of SVHC (Substances of Very High Concern) in all of these products.

### PEP: Product Environmental Profile

Schneider Electric publishes the most complete set of environmental data, including carbon footprint and energy consumption data for each of the lifecycle phases on all of its products, in compliance with the ISO 14025 PEP ecopassport program. PEP is especially useful for monitoring, controlling, saving energy, and/or reducing carbon emissions.

### EoLI: End of Life Instructions

Available at the click of a button, these instructions provide:

- Recyclability rates for Schneider Electric products.
- Guidance to mitigate personnel hazards during the dismantling of products and before recycling operations.
- Parts identification for recycling or for selective treatment, to mitigate environmental hazards/ incompatibility with standard recycling processes.

Life Is On | **Schneider**  
Electric

**Schneider Electric Industries SAS**

35, rue Joseph Monier  
CS 30323  
92506 Rueil Malmaison Cedex  
France

RCS Nanterre 954 503 439  
Capital social 896 313 776 €  
[www.schneider-electric.com](http://www.schneider-electric.com)

03-2017  
ISC01955EN

© 2017 - Schneider Electric. All Rights Reserved.  
All trademarks are owned by Schneider Electric Industries SAS or its affiliated companies.

This document has been  
printed on recycled paper

