

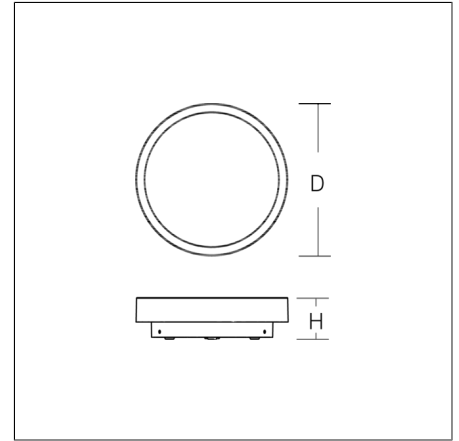
HB 108

612141.0031 | Wall luminaires



Wall luminaires
4051859211617
D 250, H 68

Ceiling mounting, Wall (surface)
anthracite metallic (DB703)



Wall luminaire. Housing: die-cast aluminium, powder-coated. Diffuser: plastic (polycarbonate), opal. Driver integrated.

Product specifications

Diameter D	250 mm
Height H	68 mm
Weight	1.6 kg
Light source	LED
Colour temperature	3000 K
Rated luminous flux	1050 lm
System power	15 W
System efficiency	70 lm/W
Glare evaluation UGR (4H 8H)	23,9
Beam angle	110°
Rated life	25000 h (L70/B50)
Colour rendering index (CRI)	80
Photobiological safety according to EN 62471	Risk group 0
Driver	Converter
Control	on/off
Voltage	220 - 240 V / 50 Hz
CIE Flux Code / CEN Flux Code	48 80 96 100 100
Type of protection	IP 54
Protection class	I
Filament test	650°C - 30 seconds
Impact resistance	IK03
Ambient temperature	-20 °C ... + 25 °C
Conformity mark	CE, EAC