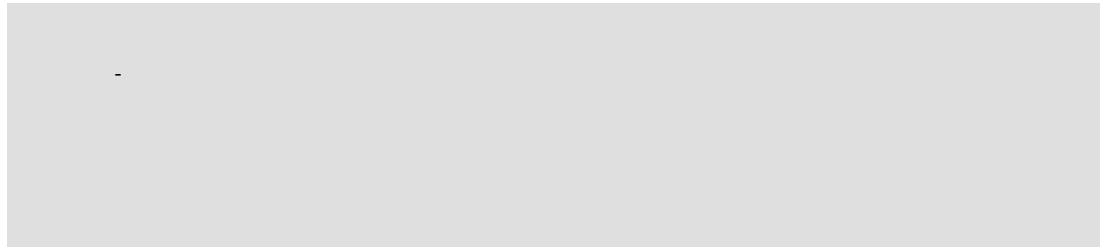


Product Data Sheet

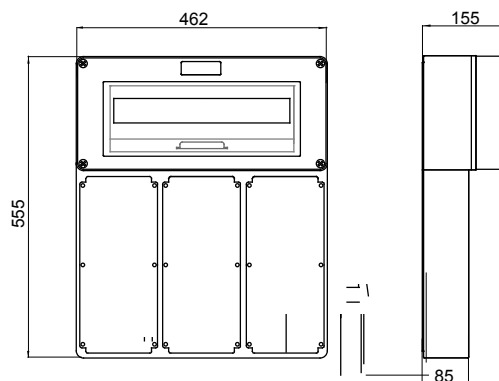
GW66783

IB Range



IP degree	IP66	Dispersible power (W)	34
Mechanical resistance	> IK10	Houseable interloc. socket	3
Houseable IB socket-outlets	16/32 A SELV	No. of modules EN 50022	18
Side entries	2xØ 23	Top entries	5xØ 23/29
Bottom entries	1xØ 29/37	Glow Wire Test	850 °C
Suitable for	Heavy duty	Electrocod	2222
Impact resistance at -20 °C	20 J		

DIMENSIONAL



TECHNICAL SYMBOLOGY

IP

IK

GWT

IP66

> IK10

850 °C

STANDARDS/APPROVALS

