


53105300	DATA SHEET	
Valid from: 25.11.2021	SKINTOP® HYGIENIC SC	

The SKINTOP® HYGIENIC SC is a high-quality cable gland that is suitable for hygienic critical areas. The innovative hygienic design prevents food machines, facilities, or components from risk of contamination. The cable gland is suitable for use in applications where mechanical and chemical stability to very aggressive media is required and offers quality and safety in food, pharmaceutical and chemical industry.

The SKINTOP® HYGIENIC SC is especially designed for copper-screened cables to achieve a low-resistance screen contact, strain relief and high protection class.



Components:

Gland body	Stainless steel – V4A (1.4404 / 316L)
Cap nut	Stainless steel – V4A (1.4404 / 316L)
Insert with lamellar cage	Polyamide
Contact spring	CuBe, tin-plated
Seals	Special elastomer – conform to FDA 21 CFR 177.2600

Technical features:

Connecting thread	M12x1,5 up to M40x1,5 acc. to EN 60423
Protection class	IP68 – 10 bar, test acc. to EN 60529 IP69 acc. to EN 60529
NEMA Type Rating	NEMA Type 1, Type 2, Type 4X, Type 6, Type 12 acc. to UL50E
Transfer impedance	< 0,1 Ohm
Temperature range	-20 °C up to +100 °C

Other properties:

High functional safety
Optimal strain relief
Wide and variable clamping range
Hygienic design
Product zone (food)

Certificates:




UL File Nr. 79903

(Test in acc. to UL514B)

UL-approval for sizes M12x1,5 up to M25x1,5

TYPE EL – Class I AUX

Creator: MAJU2/PDP Released: VACH1/PDP	Document: DB53105300EN Version: 05	Page 1 of 2
---	---------------------------------------	-------------

53105300	DATA SHEET	
Valid from: 25.11.2021	SKINTOP® HYGIENIC SC	

Norm references:

DIN EN ISO 14 159

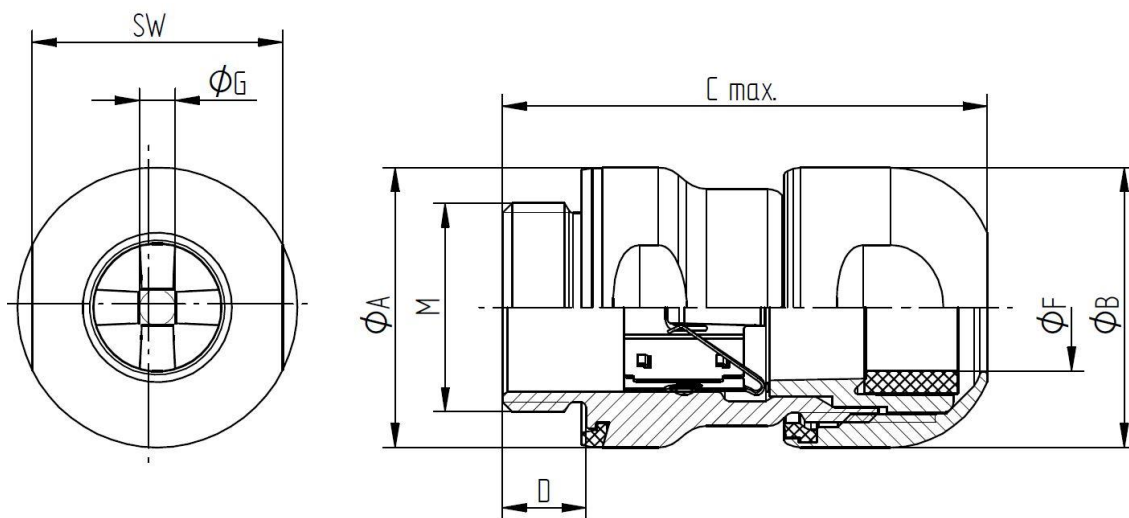
Safety of machinery - Hygiene requirements for the design of machinery

DIN EN 1672-2

Food processing machinery - Basic concepts - Part 2: Hygiene requirements



For more information please see our current catalogue.



Article number	Article description	M	SW [mm]	Ø A [mm]	Ø B [mm]	C max. [mm]	D [mm]	Ø F [mm] Clamping range	Ø G min. [mm] over braiding
53105300	SKINTOP HYGIENIC SC M12x1,5	M12x1,5	16	18,8	18,8	38,4	6,5	4,0 - 6,0	2
53105301	SKINTOP HYGIENIC SC M16x1,5	M16x1,5	20	22,8	22,8	41,4	7	6,5 - 9,0	4
53105302	SKINTOP HYGIENIC SC M20x1,5	M20x1,5	24	26,8	26,8	46,4	8	9,0 - 12,0	5
53105303	SKINTOP HYGIENIC SC M25x1,5	M25x1,5	29	31,8	31,8	48,9	8	11,5 - 15,5	7,5
53105314	SKINTOP HYGIENIC SC M32x1,5	M32x1,5	36	39,6	39	56	9	16,0 - 20,0	9
53105315	SKINTOP HYGIENIC SC M40x1,5	M40x1,5	45	49	49	62	9	22,0 - 27,0	15

Creator: MAJU2/PDP Released: VACH1/PDP	Document: DB53105300EN Version: 05	Page 2 of 2
---	---------------------------------------	-------------