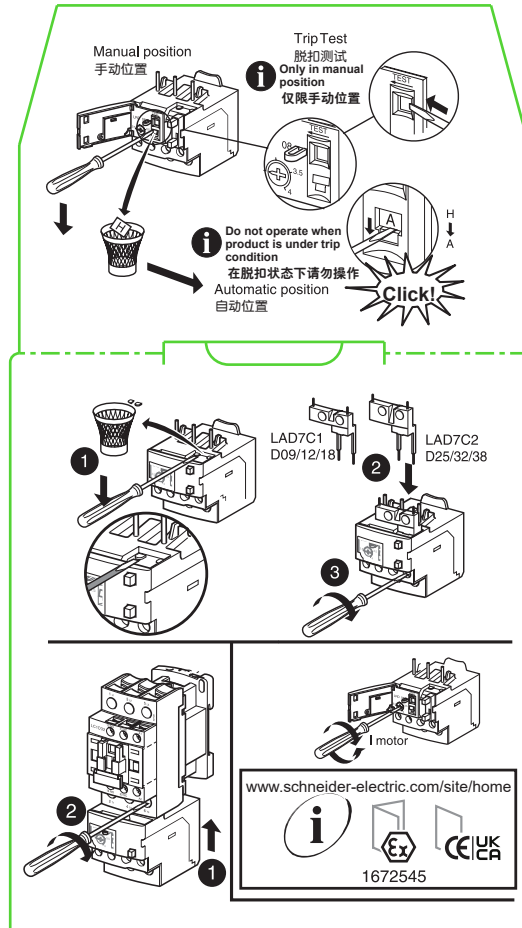


W916455230211A09	IS printed on inside face + Outside Face printed in accordance with Schneider Standard.	MATERIAL BOXBOARD 600grs (GT2-600) - carton plat	MAT PRINTING Text TeSys in GREEN Pantone 355U IS printed in Black 80 %
W916455230131A11	IS printed on inside face + Outside Face printed in white.	MATERIAL BOXBOARD 600grs (GT2-600) - carton plat CLOUDY WHITE OUTSIDE RAW INSIDE	MAT PRINTING IS printed in Black 80 %
SYMBOL ARTICLE		PARAMETRES VU / VU PARAMETERS	



(mm²) AWG	(mm) inch	(N.m) lb.in.
1...2.5 18...14	8 5/16	1,7 15
1...6 18...10	10 3/8	1,7 15
1.5...6 18...10	10 3/8	1,7 15
1...4 18...10	8 5/16	1,7 15

LRD01 to LRD21

(mm²) AWG	(mm) inch	(N.m) lb.in.
1...2.5 18...14	8 5/16	1,7 15
1...6 18...10	10 3/8	1,7 15
1.5...6 18...10	10 3/8	1,7 15
1...4 18...10	8 5/16	1,7 15
9.5 18...10	3/8	3/8

LRD016 to LRD216

(mm²) AWG	(mm) inch	(N.m) lb.in.
1...2.5 18...14	8 5/16	1,7 15
2.5...10 14...8	10 3/8	2,5 20
2.5...10 14...8	10 3/8	2,5 20
1.5...6 18...10	8 5/16	1,7 15

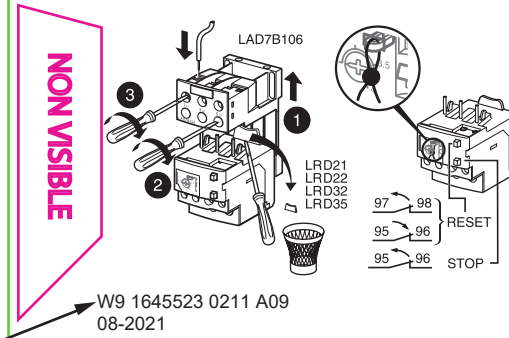
LRD22 to LRD35

(mm²) AWG	(mm) inch	(N.m) lb.in.
1...2.5 18...14	8 5/16	1,7 15
2.5...10 14...8	10 3/8	2,5 20
2.5...10 14...8	10 3/8	2,5 20
1.5...6 18...10	8 5/16	1,7 15
9 18...10	12 15/32	12 15/32

LRD226 to LRD356

VERSO

DECOUPE VUE COTE INTERIEUR
INSIDE VIEW



⚠️ DANGER / 危险
HAZARD OF ELECTRIC SHOCK, EXPLOSION, OR ARC FLASH
Disconnect all power before servicing equipment.
Failure to follow these instructions will result in death or serious injury.
电击、爆炸或电弧闪光危险
在此电力设备上进行操作时，请先断开所有电源。
不遵守上述规定将可能导致人员伤亡。

⚠️ WARNING / 警告
RISK OF FIRE OR ELECTRIC SHOCK (FOR CONTACTOR WITH UL HI-FAULT SHORT CIRCUIT CURRENT RATINGS ONLY)
The opening of the branch-circuit protective device may be an indication that a fault current has been interrupted.
To reduce the risk of the fire or electrical shock, current-carrying parts and other components of the controller should be examined and replaced if damaged.
Failure to follow these instructions can result in death, serious injury, or equipment damage.
可能有火灾或者触电的危险 (仅限UL高故障短路电流额定值的接触器)。
支路保护设备断开，表明故障电流已被中断。
为降低火灾或触电风险，应检查带电部件和其它控制元件，如有损坏，需及时更换。
不遵循上述说明可能导致人员伤亡或设备损坏。

xx Selon VU :
Voir Tableau
xx According to VU :
See Table

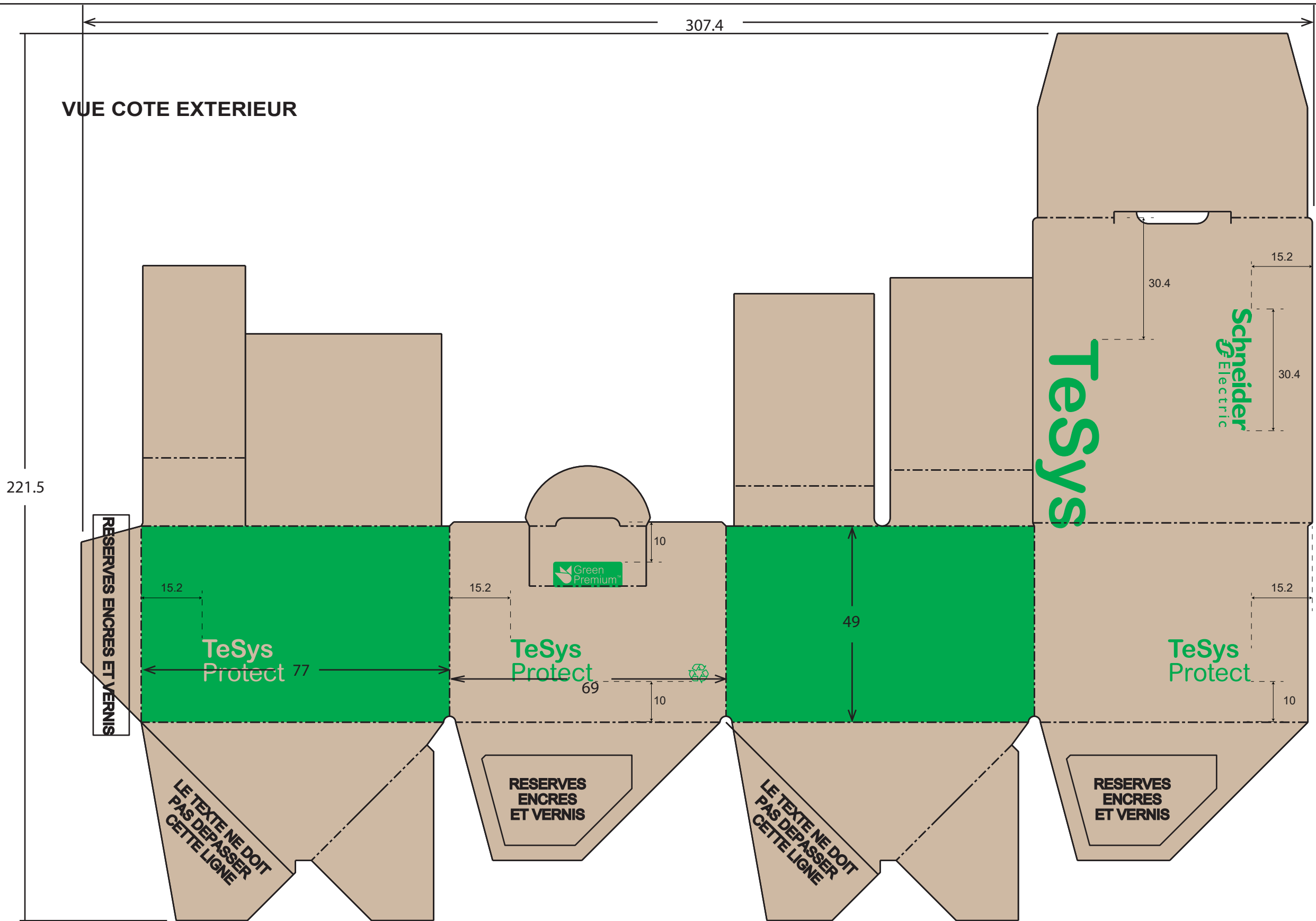
Schneider Electric Industries SAS
35, rue Joseph Monier
92506 Rueil Malmaison
France

Schneider Electric Limited
Stafford Park 5
Telford, TF3 3BL
United Kingdom
www.se.com/uk

RESERVES
ENCRES
ET VERNIS

RESERVES
ENCRES
ET VERNIS

	Scale : 1:1	Tolerancing Standard :	Units of measure : mm
	LRD UNITARY BOX LRD UNITARY BOX		Rev : 16
	Number : 164552300A50		Sheet : 01/02
All informations and data contained in this document are the exclusive property of Schneider Electric Industries SAS and may neither be used nor disclosed without its prior written consent		State * : Validated for Tooling Printed on 2022/07/07	FORMAT A3



Carton boxes are recycled natural brown colour, printed with one water-based or vegetable oil-based ink.
Colour: Only one colour is printed: Green Pantone 355U.
Typeface: Arial Rounded Bold & Arial Rounded

	Scale : 1:1	Tolerancing Standard :	Units of measure : mm
	LRD UNITARY BOX LRD UNITARY BOX		Rev : 16
Number : 164552300A50		Sheet : 02/02	
<small>All informations and data contained in this document are the exclusive property of Schneider Electric Industries SAS and may neither be used nor disclosed without its prior written consent</small>		State * : Validated for Tooling Printed on 2022/07/07	FORMAT A3