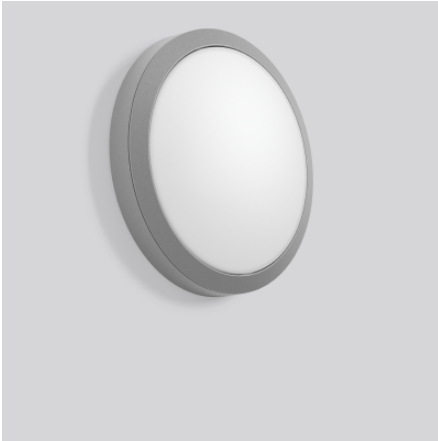


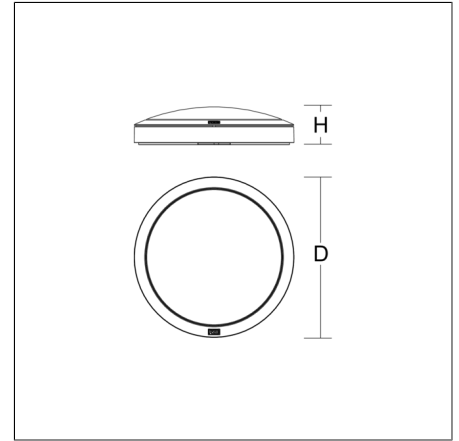
ROUNDED

582107.004 | Ceiling and wall luminaires



Ceiling and wall luminaires
4051859774402
D 300, H 71

Ceiling mounting, Wall (surface)
silver, matt (approx. RAL 9006)



Decorative round LED surface-mounted luminaire for indoor and outdoor use. Base and housing made of corrosion resistant pressure die-cast aluminium, seawater resistant powder-coated. Standard Gore™ Protective Vents diaphragm valve to avoid condensation. Diffuser made of opal plastic (polycarbonate); with diffuser fixing. Diffuser fastening: bayonet system. Uniform lighting achieved by the use of LED panel boards. Very easy installation thanks to plug & play connection. Drill hole deviations can be compensated to achieve precise positioning. The large connection compartment on the back for convenient connections is also ideal for through wiring. MultiLumen: 4 steps adjustable luminous flux. Factory setting is the lowest luminous flux. MultiColour: Colour temperature adjustable via switching element for 3000 K (factory setting) and 4000 K.

Product specifications

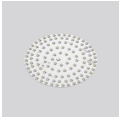
| | |
|--|--|
| Diameter D | 300 mm |
| Height H | 71 mm |
| Weight | 1.87 kg |
| Light source | LED |
| Colour temperature | 3000 K 4000 K |
| Rated luminous flux | 3000 K: 440 lm 1150 lm 4000 K: 450 lm 1150 lm |
| System power | 3000 K: 3.5 W 9.5 W 4000 K: 3.5 W 9.5 W |
| System efficiency | 3000 K: 126 lm/W 121 lm/W 4000 K: 129 lm/W 121 lm/W |
| Glare evaluation UGR (4H 8H) | 3000 K: 19,8 23,1 4000 K: 19,8 23,1 |
| Beam angle | 120° |
| Rated life | 50000 h (L90/B50) |
| Colour rendering index (CRI) | 80 |
| Colour tolerance | 3 |
| Photobiological safety according to EN 62471 | Risk group 1 |
| Driver | Converter |
| Control | on/off |
| Voltage | 220 - 240 V / 50 Hz, 60 Hz |
| Inrush current / Inrush current duration | 5 A / 150 µs |
| CIE Flux Code / CEN Flux Code | 44 75 93 99 100 |
| Type of protection | IP 66 ceiling mounting IP 66 wall mounting |
| Protection class | I |
| Filament test | 850 °C |
| Impact resistance | IK07 |
| Ambient temperature | -20 °C ... + 50 °C |
| Safety marks | D-mark |
| Conformity mark | CE, EAC |

ROUNDED

582107.004 | Ceiling and wall luminaires



Spareparts



982971.002
Replacement LED module

982968.002
Replacement diffuser