
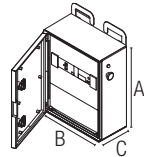
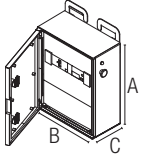
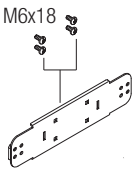


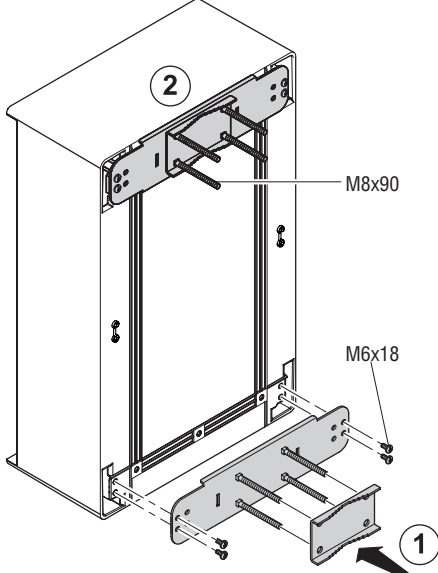
F&E		
 AxBxC		
JOINON I-ON WALL	GW 46 551	125Kg
JOINON I-CON	GW 46 551	
300x250x160	GW 46 551	
425x310x160	GW 46 552	
500x405x200	GW 46 553	
650x405x200	GW 46 553	
650x515x250	GW 46 554	
800x585x300	GW 46 555	
Q-BOX 4	GW 46 554	25 Kg
Q-DIN 14M	GW 46 552	20 Kg
Q-DIN 20M	GW 46 553	



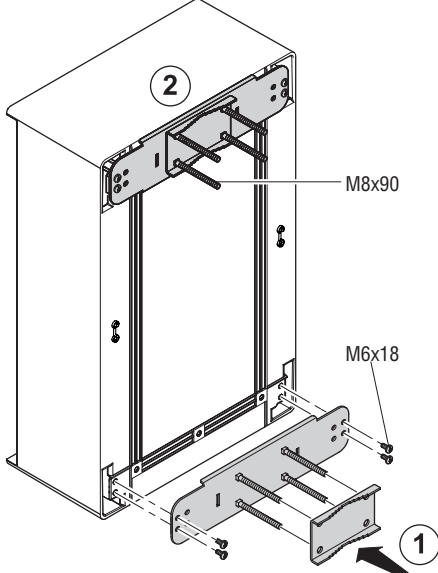
Ø= 60÷80 mm

QP F&E

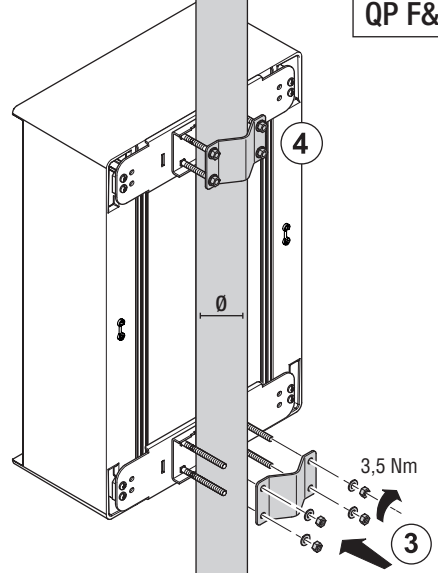
 AxBxC	 M6x18	
300x250x160	4	
425x310x160	4	
500x405x200	4	
650x405x200	4	
650x515x250	6	
800x585x300	8	



1

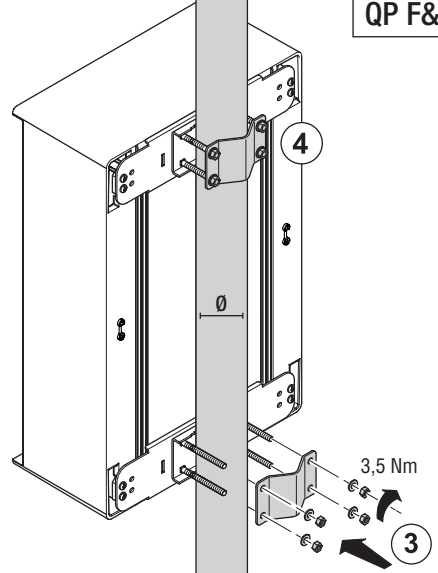


2



3

3,5 Nm



4



$\varnothing = 60 \div 80 \text{ mm}$

KIT Q-BOX

N°4 AF 5x35

1

N°4 AF 5x30

2

Q-BOX4

4

3

$\varnothing > 80 \div 200 \text{ mm}$

2

M8x90

AF 5x20

1

Q-DIN

4

N°1x14 M 1°gr

N°2x14 M 2°gr
x20M

3,5 Nm

3

$\varnothing > 80 \div 200 \text{ mm}$

2

Inox
19x0,76mm

M8x16

M6x18

1

QP F&E

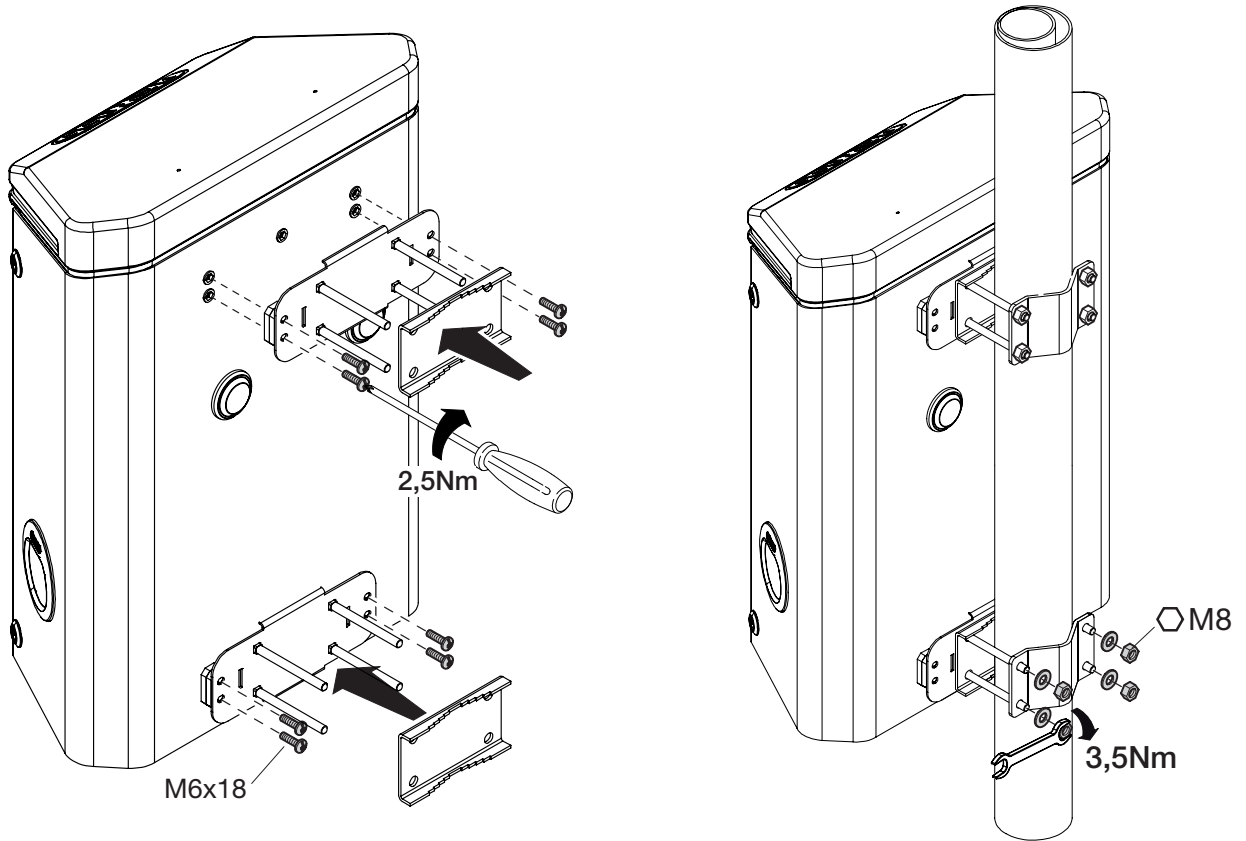
3

4



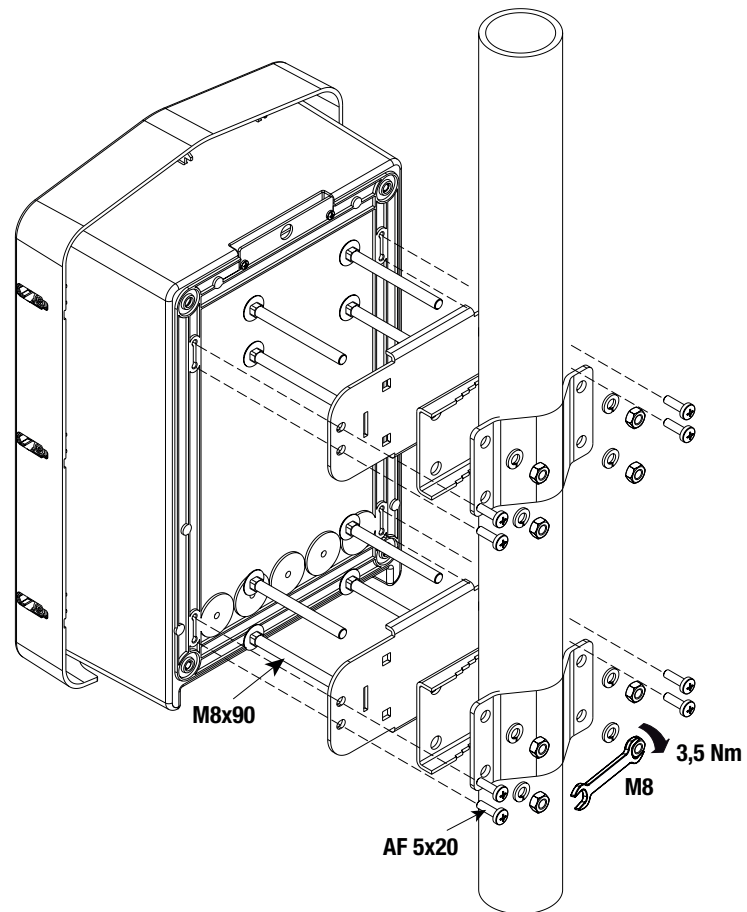
Ø= 60÷80 mm

JOINON I ON WALL



Ø= 60÷80 mm

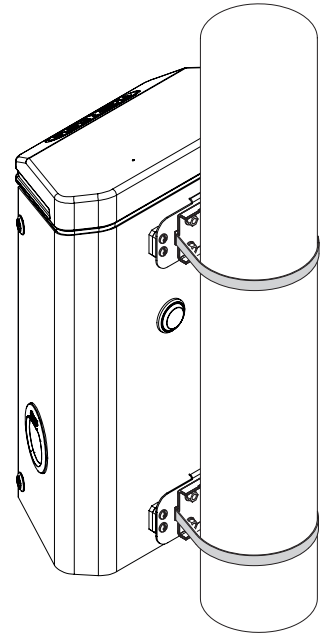
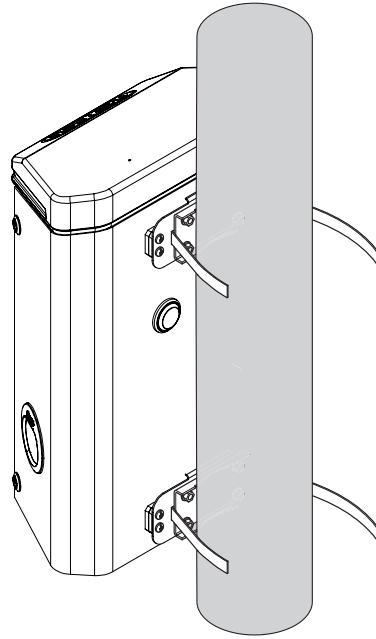
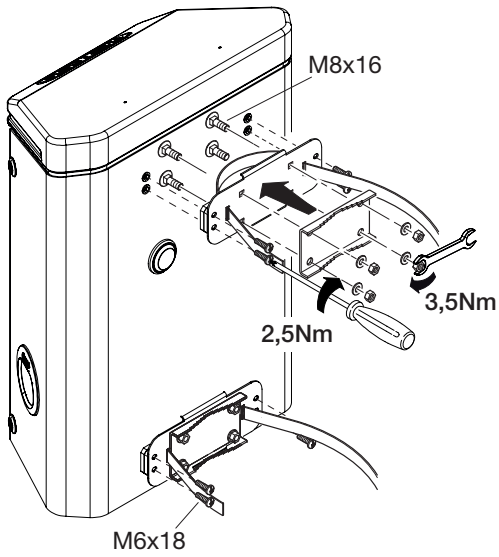
JOINON I-CON





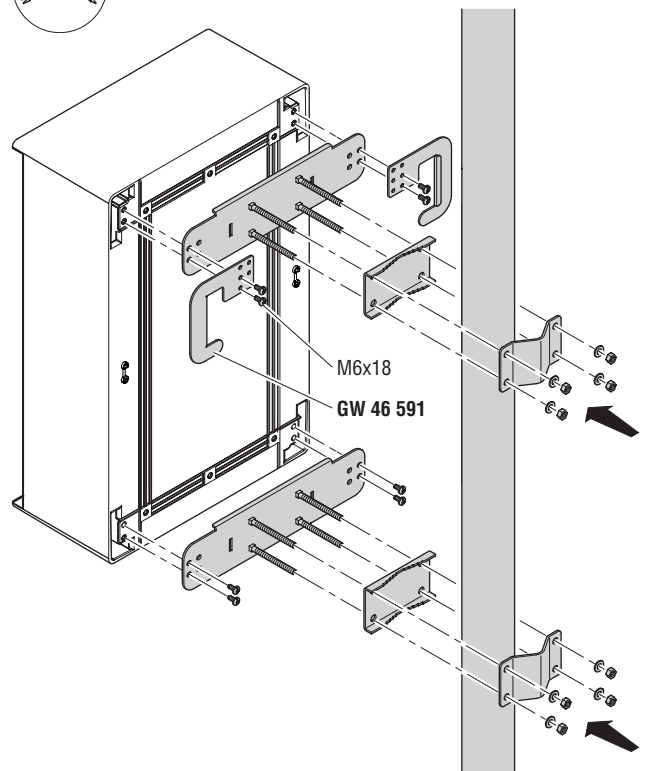
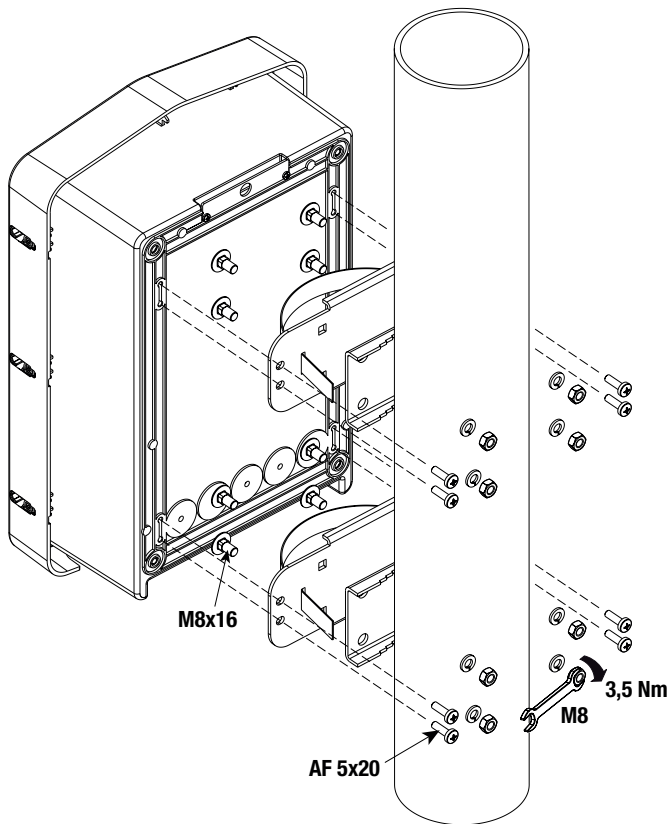
Ø= 80÷200 mm

JOINON I ON WALL



Ø= 80÷200 mm

JOINON I-CON



Punto di contatto indicato in adempimento ai fini delle direttive e regolamenti UE applicabili:

Contact details according to the relevant European Directives and Regulations:

GEWISS S.p.A. Via A.Volta, 1 IT-24069 Cenate Sotto (BG) Italy tel: +39 035 946 111 E-mail: qualitymarks@gewiss.com



+39 035 946 111
8.30 - 12.30 / 14.00 - 18.00
lunedì ÷ venerdì - monday ÷ friday



+39 035 946 260



sat@gewiss.com
www.gewiss.com