

60x60/
62x62



30x120



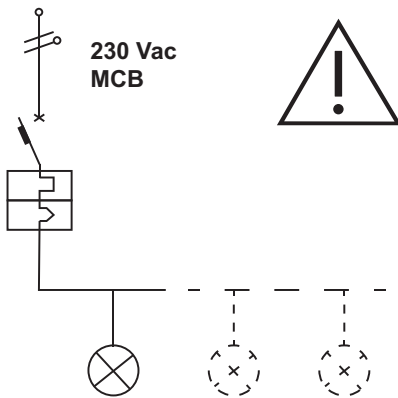
IP20/IP40



RG0 → 0,2m

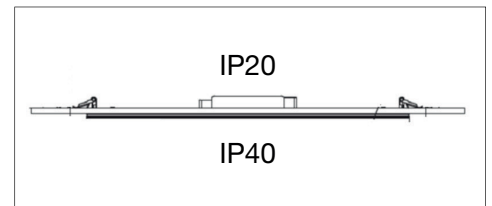


$t_a +45^\circ\text{C}$

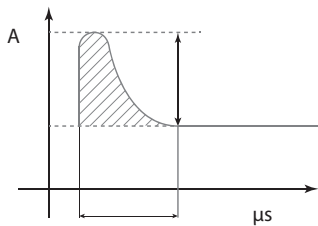


MCB 16A type C:

60x60 62x62 30x120	Max n.30



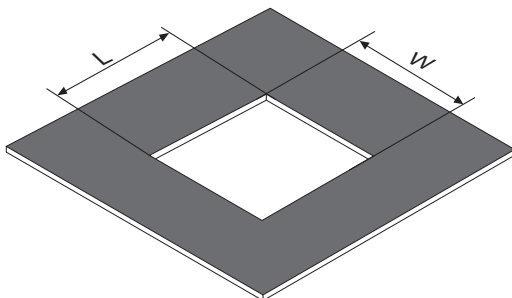
		35-38V DC 900 mA
		220-240V AC



Inrush current peak and width:

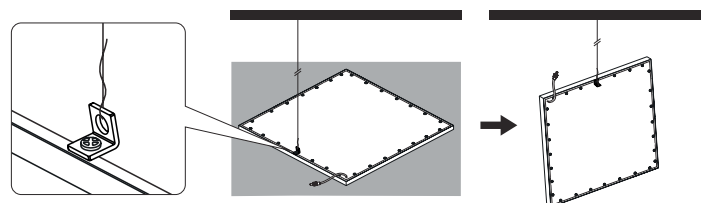
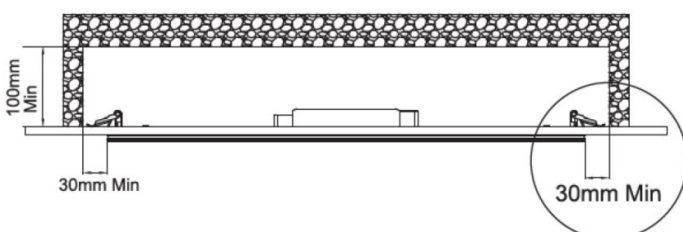
ON/OFF	60 A / 350 μs
DALI	

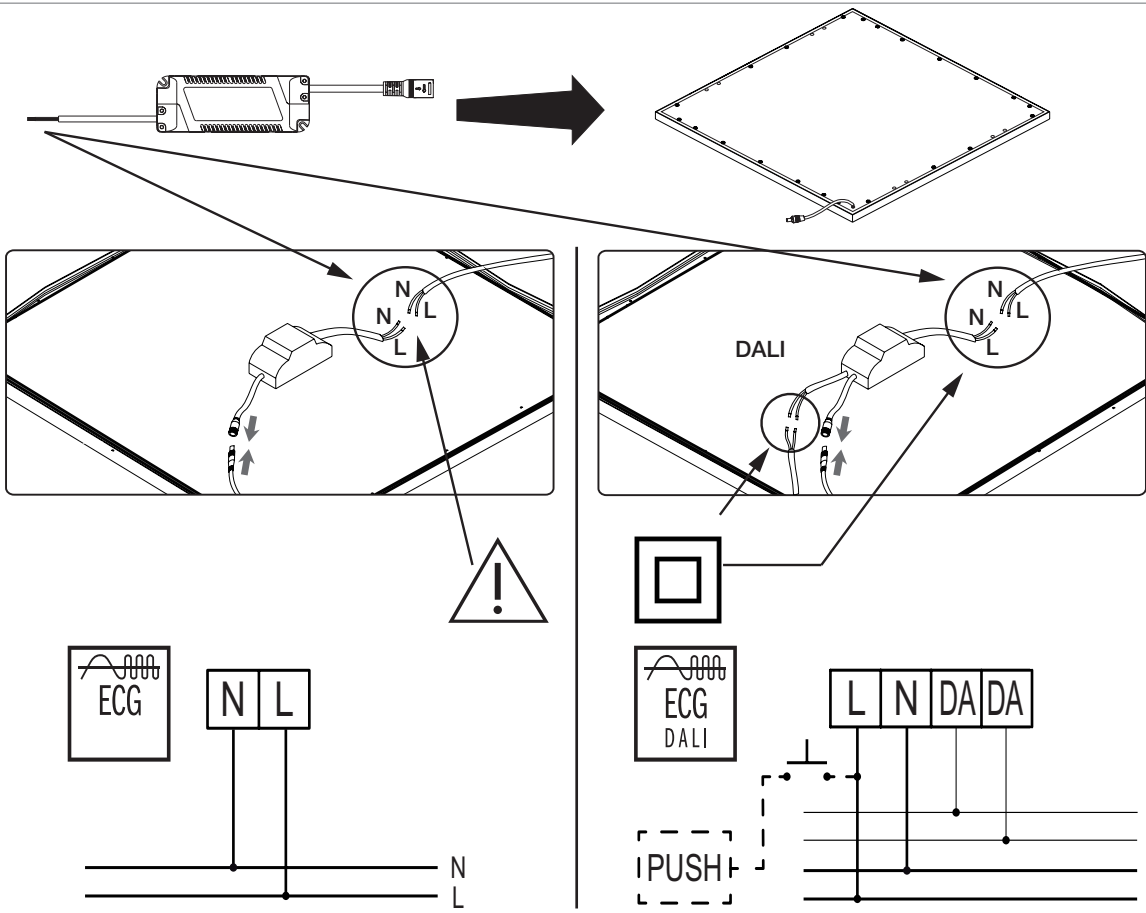
	2,65
	2,4



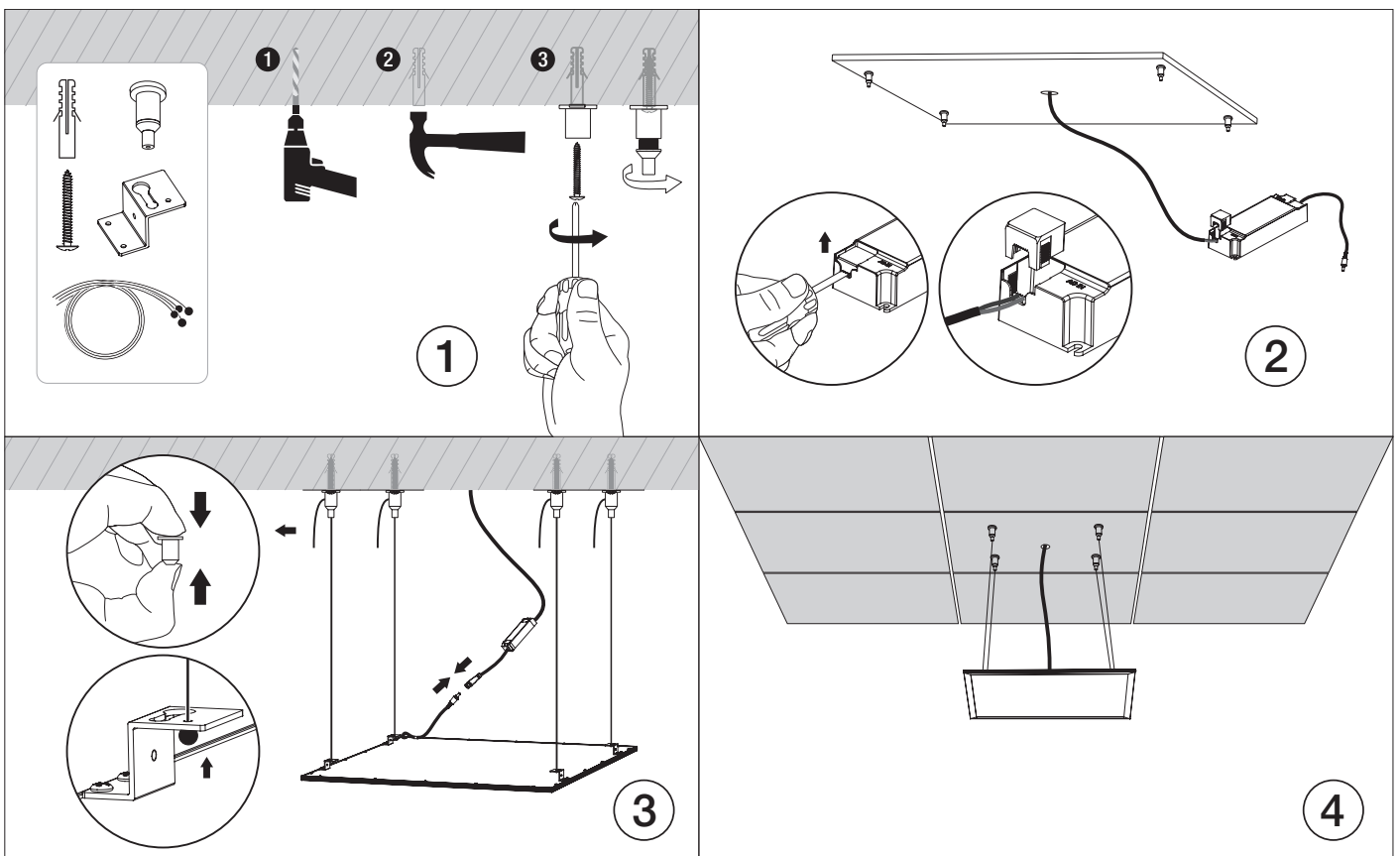
		L	W
60x60		570 mm	570 mm
62x62		590 mm	590 mm
30x120		1170 mm	270 mm

GW F1 923



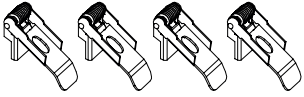


GW F1 921

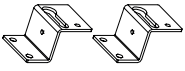




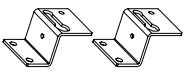
GW F1 922



4 x



2 x



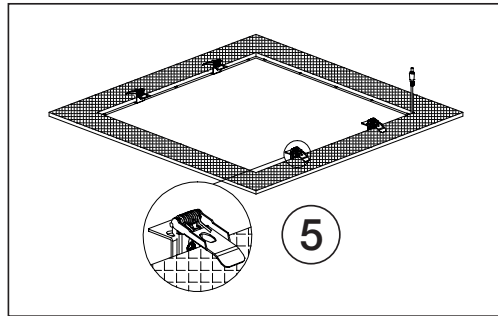
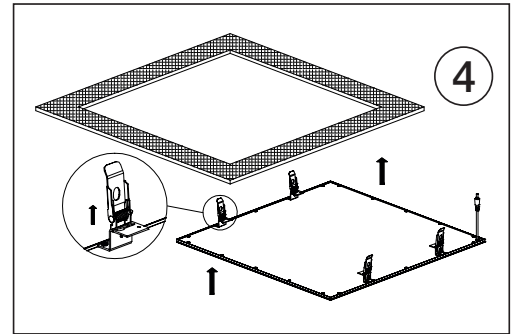
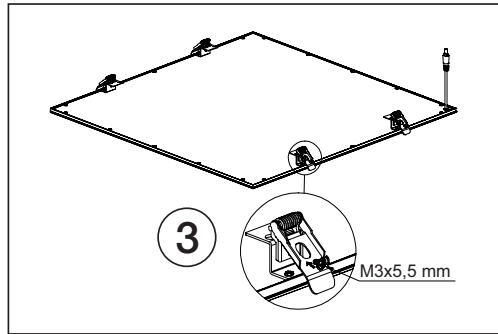
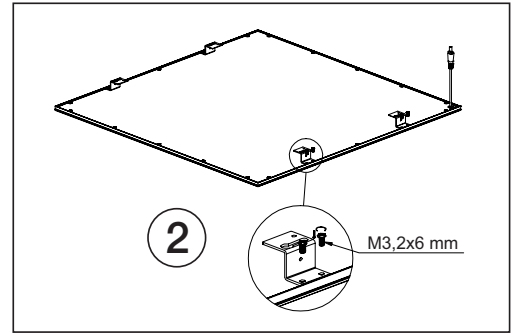
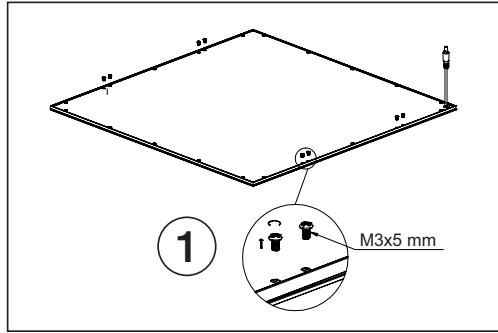
2 x



4 x M3x5,5 mm



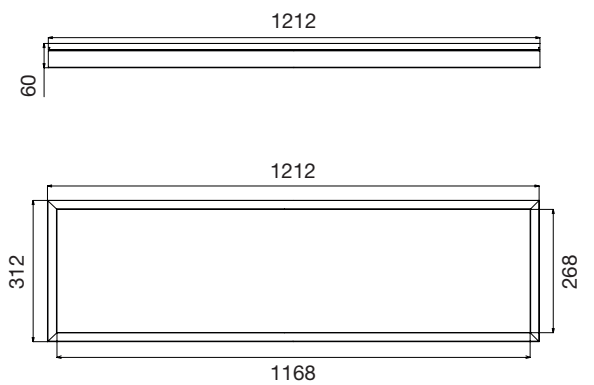
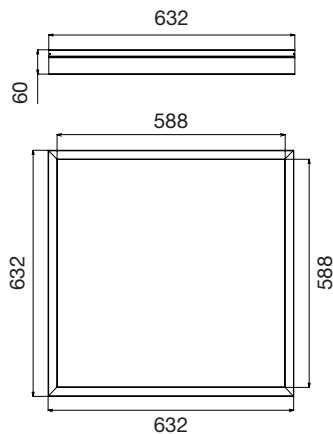
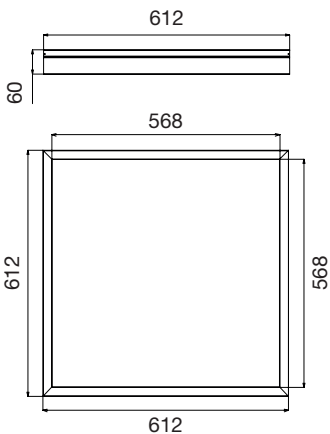
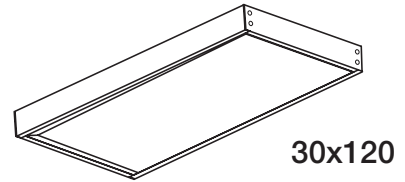
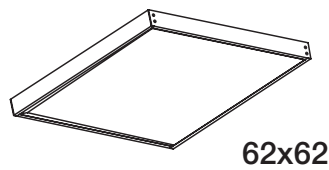
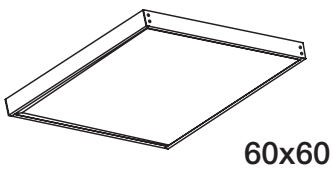
8 x M3,2x6 mm

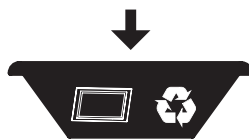
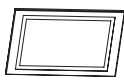
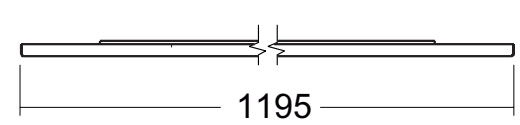
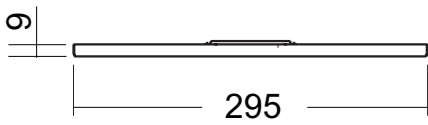
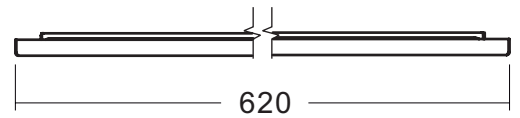
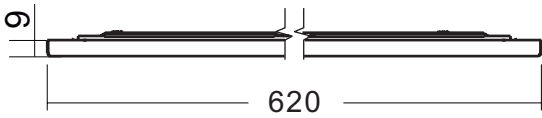
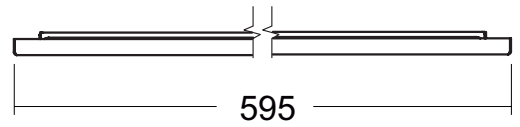
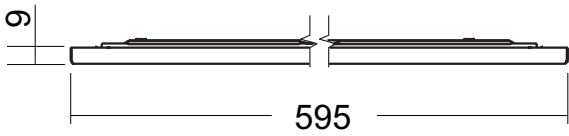
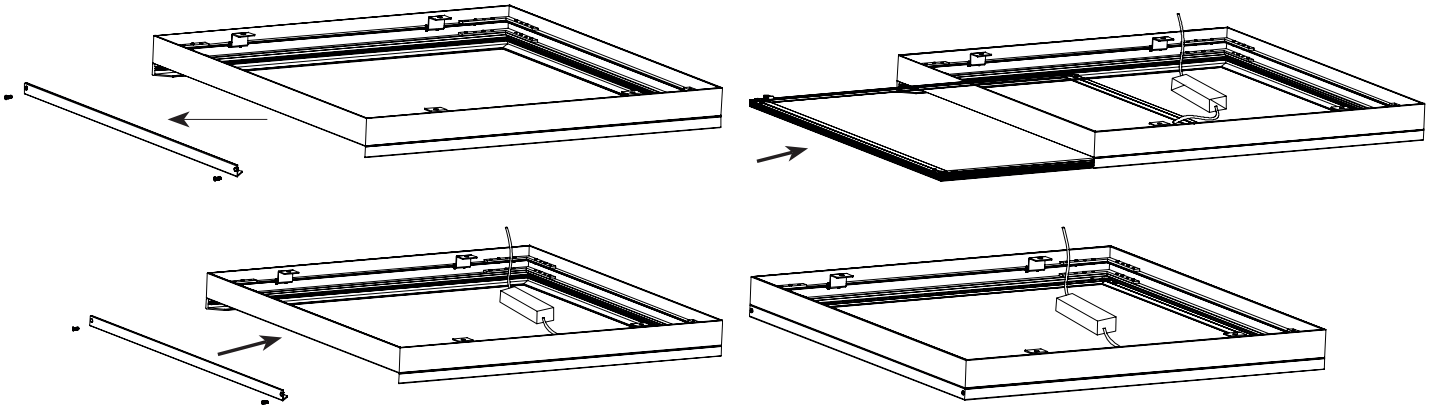


GW F1 911

GW F1 912

GW F1 913





Punto di contatto indicato in adempimento ai fini delle direttive e regolamenti UE applicabili:

Contact details according to the relevant European Directives and Regulations:

GEWISS S.p.A. Via A.Volta, 1 IT-24069 Cenate Sotto (BG) Italy tel: +39 035 946 111 E-mail: qualitymarks@gewiss.com



+39 035 946 111
8.30 - 12.30 / 14.00 - 18.00
lunedì + venerdì - monday + friday



+39 035 946 260



sat@gewiss.com
www.gewiss.com