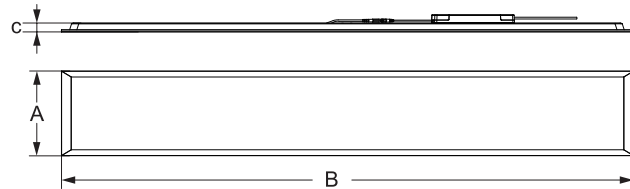
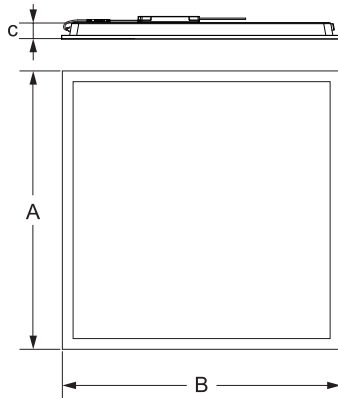
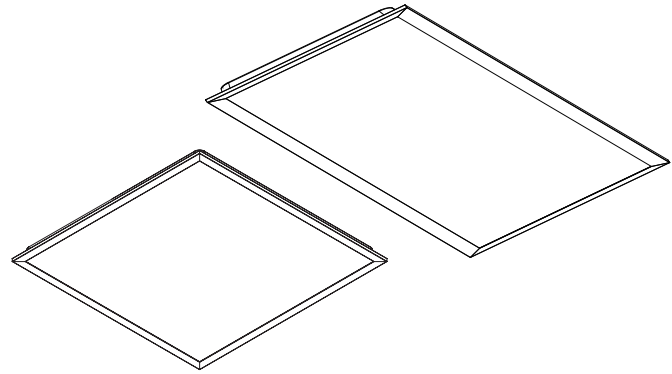


LED Slim Panel Basic G2

Version date 10-10-2020
www.opple.com

Item Code	CCT	kg
542003021100	3000K	1.66kg
542003021200	3000K	1.92kg
542003021300	4000K	1.66kg
542003021400	4000K	1.92kg
542003021500	4000K	2.04kg
542003021600	4000K	2.3kg
542003046400	3000K	1.7kg
542003046500	3000K	1.96kg
542003046600	4000K	1.7kg
542003046700	4000K	1.96kg
542003021700*	\	0.25kg
542003021800*	\	0.1kg
542098033000*	\	0.15kg

* Accessories should be purchased separately.



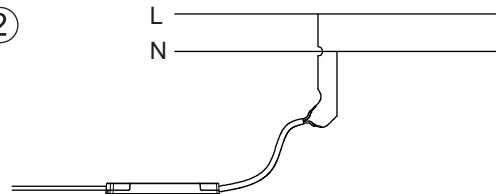
Model Name	A(mm)	B(mm)	C(mm)
LED PL-RC-S-B2 SQ595-32W	595	595	35
LED PL-RC-S-B2 SQ595-32W U19	595	595	35
LED PL-RC-S-B2 SQ620-32W	620	620	35
LED PL-RC-S-B2 SQ620-32W U19	620	620	35
LED PL-RC-S-B2 RE295-32W	295	1195	35
LED PL-RC-S-B2 RE295-32W U19	295	1195	35

Wire Connection & Recessed Installation

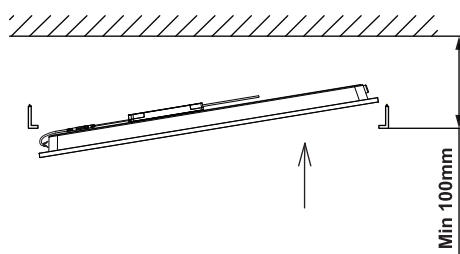
①



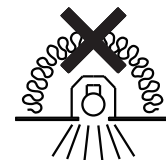
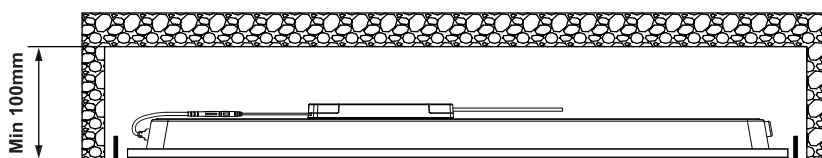
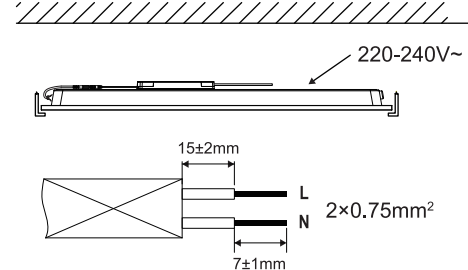
②



③

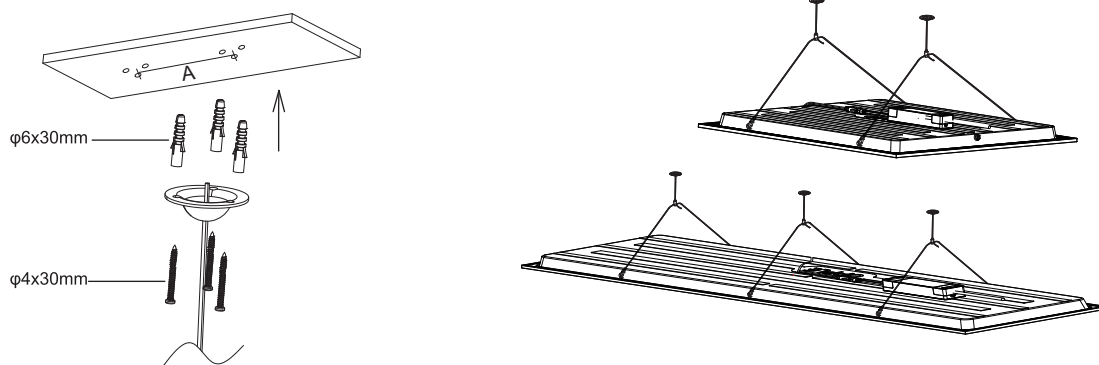


④



Do not cover with insulation material

Suspended Installation (Suspension kit)

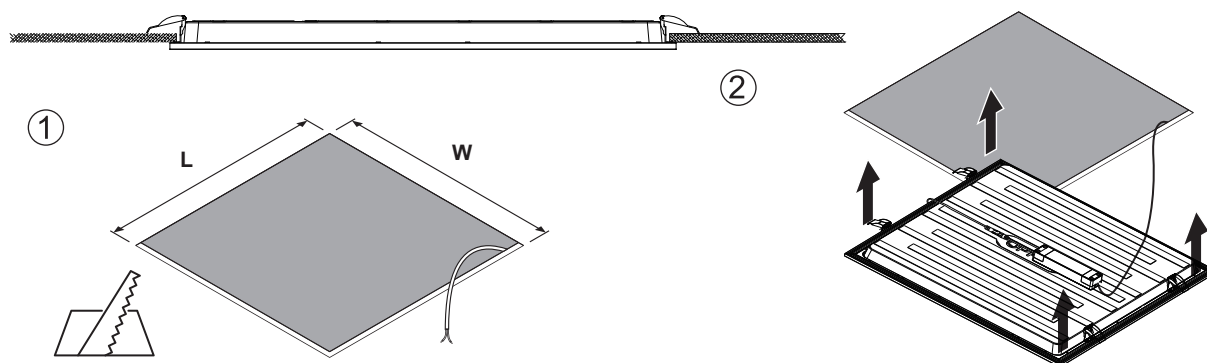




Panel LED	A		x2		x4
595×595	331mm				


Panel LED	A		x2		x4
620×620	331mm				



Panel LED	A		x3		x6
295×1195	208mm				

Recessed Mounting (Mounting Springs)



Panel LED	L	W		x4		x8
595×595	580mm	580mm				

Panel LED	L	W		x4		x8
620×620	597mm	597mm				

Panel LED	L	W		x6		x12
295×1195	280mm	1180mm				



Luminaires not suitable for covering with thermally insulating material.
Leuchten sind nicht mit thermisch isolierenden Materialien abzudecken.

In case of damage to the wire, it has to be replaced only by the manufacturer, distributor or by an expert, to avoid risks.

Caution: Any operation on LED module is forbidden while power-on.

Zur Vermeidung von Risiken müssen defekte Leitungen ausschließlich vom Hersteller, Inverkehrbringer oder Fachmann ausgetauscht werden.

Achtung: In Betrieb ist keine Arbeit am LED-Modul erlaubt.

For non-user replaceable light sources:

The light source contained in this luminaire shall only be replaced by the manufacturer or his service agent or a similar qualified person.

Das Leuchtmittel dieser Leuchte ist nicht austauschbar. Wenn das Leuchtmittel das Ende seiner Lebensdauer erreicht hat, muss die gesamte Leuchte ersetzt werden.

Terminal block not included. Installation may require advice from a qualified person. Only use suitable connection boxes with internal terminal blocks conform to EN60998-2-1 or EN60998-2-2 Terminal should be capable for at least 450V 16A, 0.75mm² wiring.



Suzhou Opple Lighting Co., Ltd.
215200
East Side, Fenyang Road,
Fenhu Economic Development Zone,
Wujiang City, Jiangsu Province,
P.R. China

Opple Lighting BV
Meerenakkerweg 1.11
5652 AR Eindhoven
The Netherlands
service@opple.com
www.opple.com

Data subject to change
Les données sont sujettes à modifications
Änderungen vorbehalten