



ClearAccent

RS060B LED5-36-/840 PSR II WH

840 neutral white - Power supply unit regulating - Safety class II
- White

ClearAccent is an entry-level recessed spot range designed to replace halogen-based luminaires. Its attractive price and high lumen per watt ratio make the decision to switch to LED an easy one. The luminaire's compact design, with built-in driver, is suitable for a wide variety of applications. The dimensions of the fixation hole meet the old halogen-based standard of 68 mm, which makes retrofitting possible. Thanks to the screw-in connectors, installation is easy and safe. These spotlights are fully IC compliant.

Product data

| General Information | |
|-------------------------------|-------------------------------|
| Light source color | 840 neutral white |
| Light source replaceable | No |
| Gear | - |
| Driver/power unit/transformer | Power supply unit regulating |
| Optic type | Symmetrical |
| Luminaire light beam spread | 36° |
| Control interface | Analog |
| Connection | Screw connection block 3-pole |
| Cable | - |
| Protection class IEC | Safety class II |
| CE mark | CE mark |
| Warranty period | 3 years |
| Constant light output | No |

| Operating and Electrical | |
|-----------------------------|-------------------------------|
| Input Voltage | 220-240 V |
| Input Frequency | 50 to 60 Hz |
| Power Factor (Min) | 0.9 |
| Controls and Dimming | |
| Dimmable | Yes |
| Mechanical and Housing | |
| Housing Material | Aluminum die cast |
| Reflector material | Polycarbonate aluminum coated |
| Optic material | Polycarbonate |
| Optical cover/lens material | Polycarbonate |
| Fixation material | - |
| Optical cover/lens finish | Clear |
| Overall length | 55 mm |

| | |
|-------------------------------------|--------------------------------------|
| Overall width | 55 mm |
| Overall height | 55 mm |
| Overall diameter | 75 mm |
| Color | White |
| Dimensions (Height x Width x Depth) | 55 x 55 x 55 mm (2.2 x 2.2 x 2.2 in) |

Approval and Application

| | |
|------------------------------|--------------------------|
| Ingress protection code | IP20 [Finger-protected] |
| Mech. impact protection code | IK02 [0.2 J standard] |

Initial Performance (IEC Compliant)

| | |
|-------------------------------------|----------------------|
| Initial luminous flux (system flux) | 500 lm |
| Luminous flux tolerance | +/-10% |
| Initial LED luminaire efficacy | 83 lm/W |
| Init. Corr. Color Temperature | 4000 K |
| Init. Color Rendering Index | ≥80 |
| Initial chromaticity | (0.38, 0.38) SDCM <3 |
| Initial input power | 6 W |

| | |
|-----------------------------|--------|
| Power consumption tolerance | +/-10% |
|-----------------------------|--------|

Application Conditions

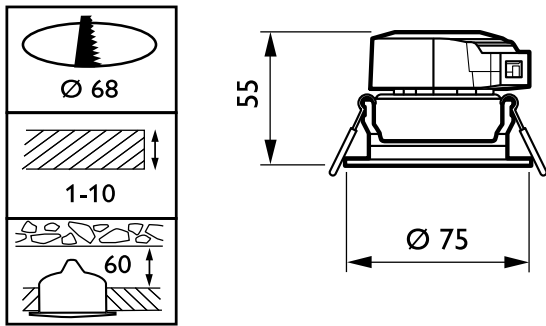
| | |
|---------------------------|-------------|
| Ambient temperature range | 0 to +40 °C |
|---------------------------|-------------|

Product Data

| | |
|---------------------------------|-------------------------------|
| Full product code | 871869607268499 |
| Order product name | RS060B LED5-36-/840 PSR II WH |
| EAN/UPC - Product | 8718696072684 |
| Order code | 910503910183 |
| Numerator - Quantity Per Pack | 1 |
| Numerator - Packs per outer box | 24 |
| Material Nr. (12NC) | 910503910183 |
| Net Weight (Piece) | 0.100 kg |

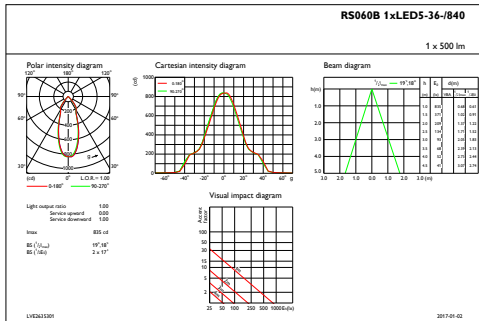


Dimensional drawing

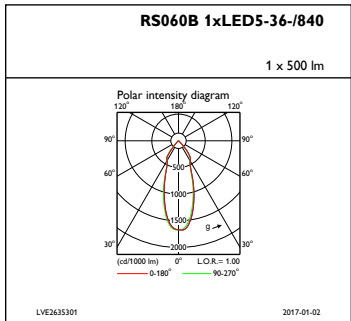


RS060B LED5-36-/840 PSR II WH

Photometric data



IFAS1_RS060B1xLED5-36-840



IFPC1_RS060B1xLED5-36-840

