


|                           |                        |   |
|---------------------------|------------------------|---|
| 19121000                  | <b>DATA SHEET</b>      |  |
| Valid from:<br>29.08.2022 | <b>EPIC® H-B 24 TG</b> |   |

## Description

- Ideal for many applications due to a wide range of housings and inserts



## General Characteristics

|                              |  |
|------------------------------|--|
| Series                       | H-B 24                                   |
| Version                      | Hood                                     |
| Locking                      | Bolts for double lever                   |
| Cable entry                  | 1x Straight, see table                   |
| Gland body                   | see table                                |
| Protection (DIN EN 60529)    | IP 65 (latched)                          |
| Protection (NEMA 250, UL50E) | 12 (latched)                             |
| Temperature Range            | -40°C to +100°C, short term up to +125°C |

## Materials / Surfaces

|            |                                      |
|------------|--------------------------------------|
| Housing    | Aluminium alloy, powder-coated, grey |
| Bolts      | Heat-treatable steel, zinc-plated    |
| Gland body | brass, nickel-plated                 |

## Approvals

|                            |        |
|----------------------------|--------|
| VDE-Approval, VDE-REG.-Nr. | B437   |
| UL-Approval, E-File-Number | E75770 |


## Standard

|                 |                    |
|-----------------|--------------------|
| Safety Standard | IEC 61984, UL 1977 |
|-----------------|--------------------|

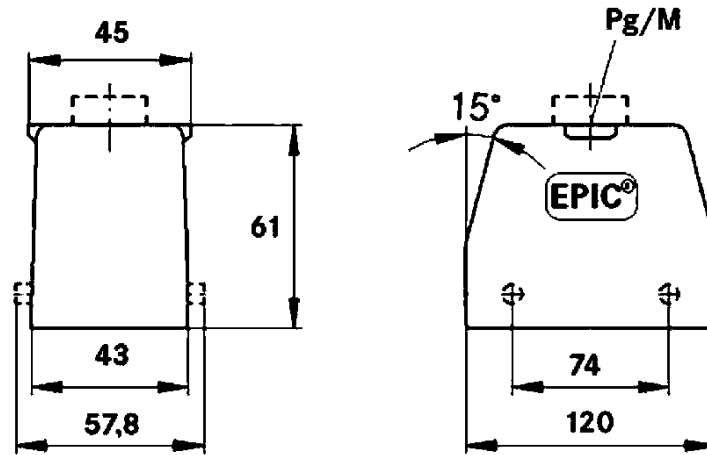
## Versions

| Article number | Article description   | Cable entry | Gland body |
|----------------|-----------------------|-------------|------------|
| 10121000       | EPIC® H-B 24 TG 21 ZW | Pg 21       | Yes        |
| 10111000       | EPIC® H-B 24 TG 29 ZW | Pg 29       | Yes        |
| 19121000       | EPIC® H-B 24 TG M25   | M25         | No         |
| 19111000       | EPIC® H-B 24 TG M32   | M32         | No         |
| 19111500       | EPIC® H-B 24 TG M40   | M40         | No         |

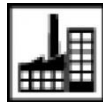
|   |                                       |             |
|---|---------------------------------------|-------------|
| Creator: BEGE1/PDP<br>Released: IVSE1/PDP | Document: DB19121000EN<br>Version: 02 | Page 1 of 2 |
|---|---------------------------------------|-------------|

|                           |                   |   |
|---------------------------|-------------------|---|
| 19121000                  | <b>DATA SHEET</b> |  |
| Valid from:<br>29.08.2022 | EPIC® H-B 24 TG   |   |

### Technical Drawings



Automation



Industrial machinery and plant engineering



Mechanical resistance



Robust



Waterproof

### Application range

Plant engineering, Light & sound technology, Plastics industry

### Remark

Photographs are not to scale and do not represent detailed images of the respective products.

|   |                                       |             |
|---|---------------------------------------|-------------|
| Creator: BEGE1/PDP<br>Released: IVSE1/PDP | Document: DB19121000EN<br>Version: 02 | Page 2 of 2 |
|---|---------------------------------------|-------------|