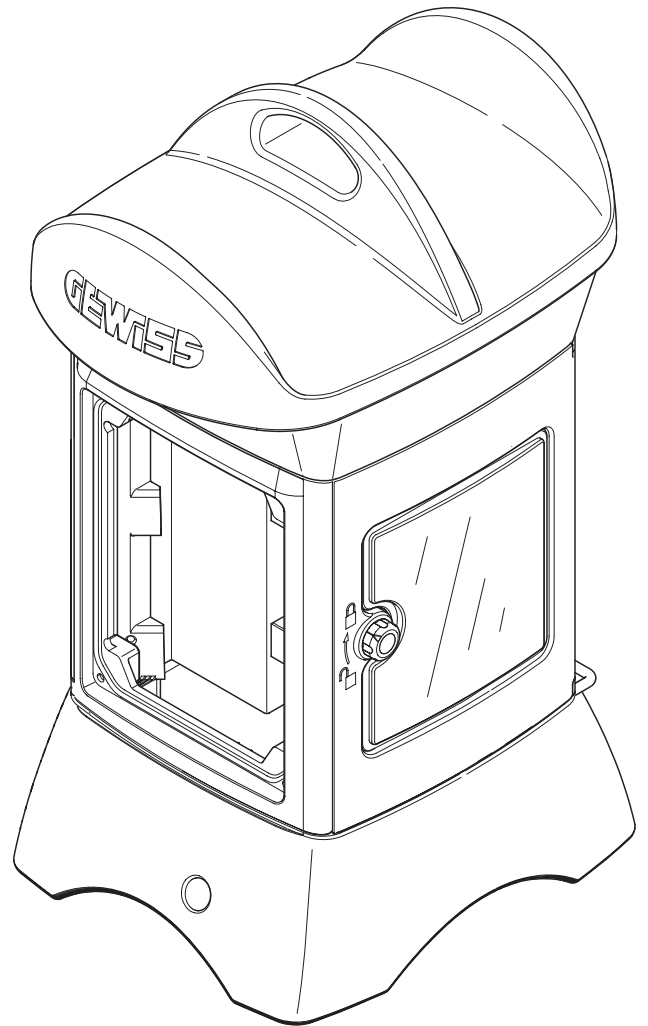
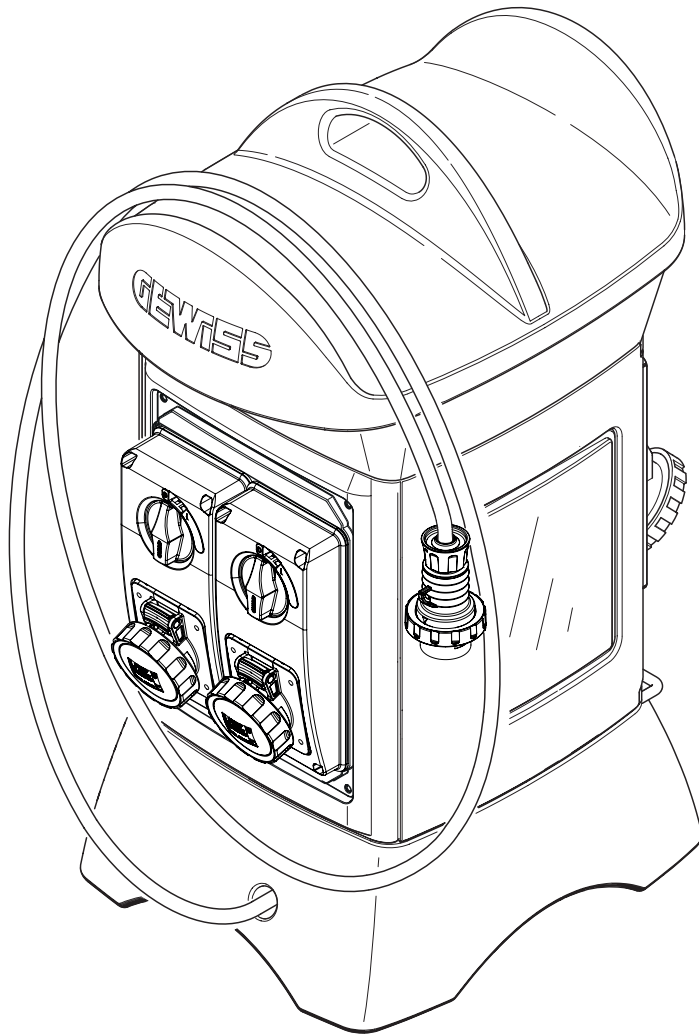


# 68 Q-MC

# GEWISS

## IP55/IP56

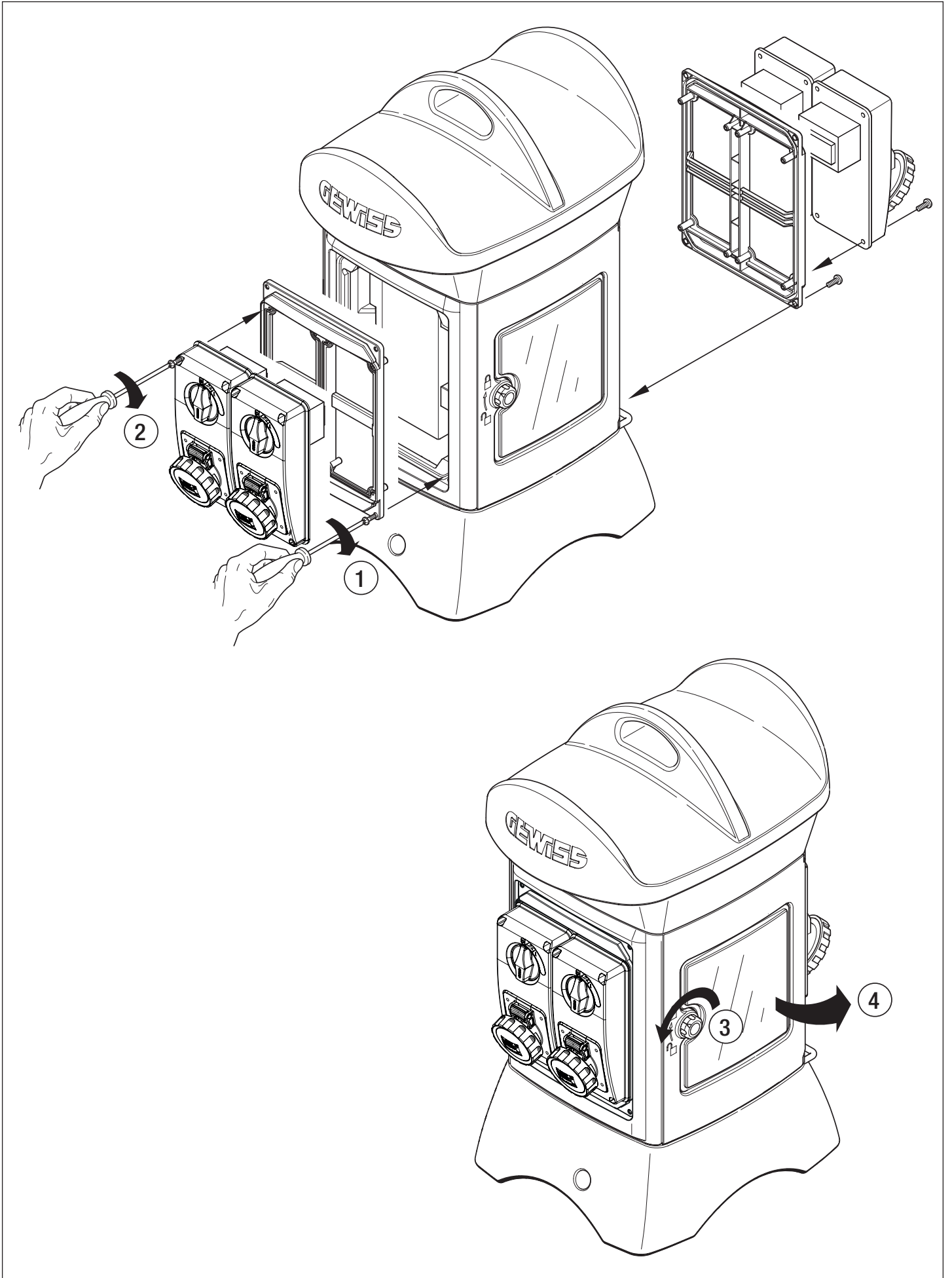


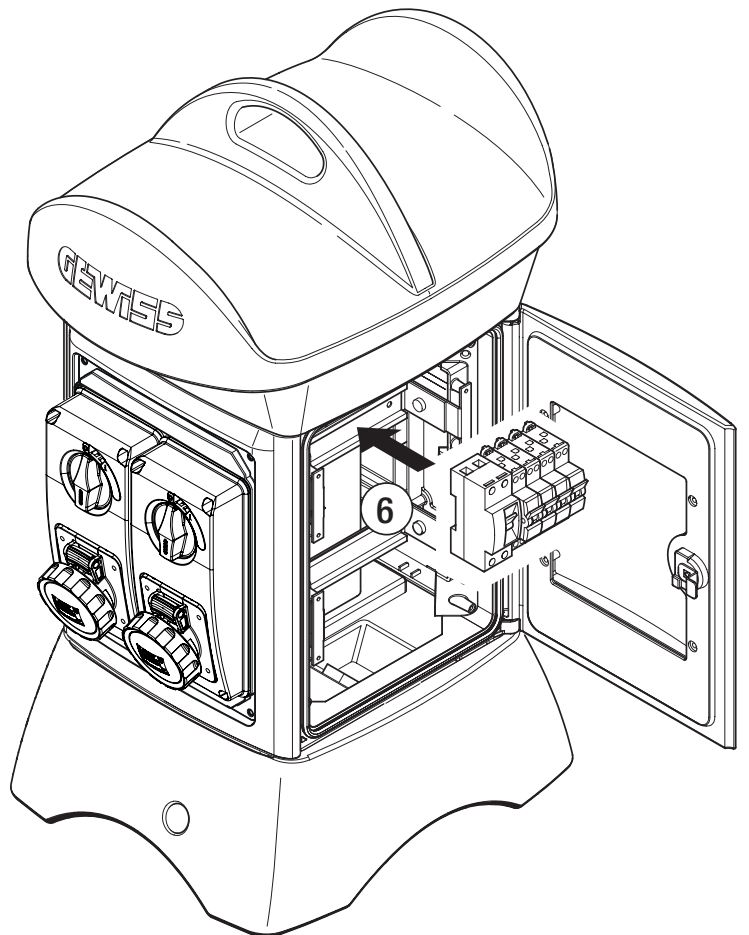
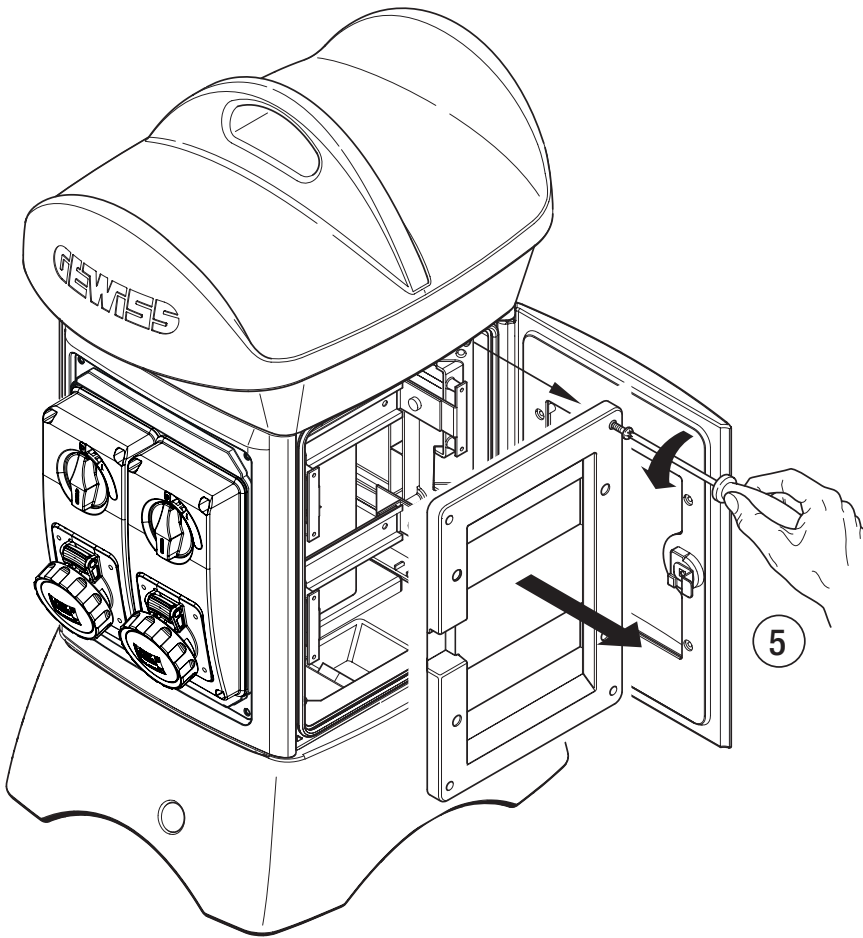


	<b>GW 68 745A/W</b>		67 IB IP67 16/32A	
	<b>GW 68 746A/W</b>	2	44 IB IP44 16/32A	
	<b>GW 68 747A/W</b>	2	COMBIBLOC	1  +
	<b>GW 68 748A/W</b>			4  +
	<b>GW 68 750A/W</b>			

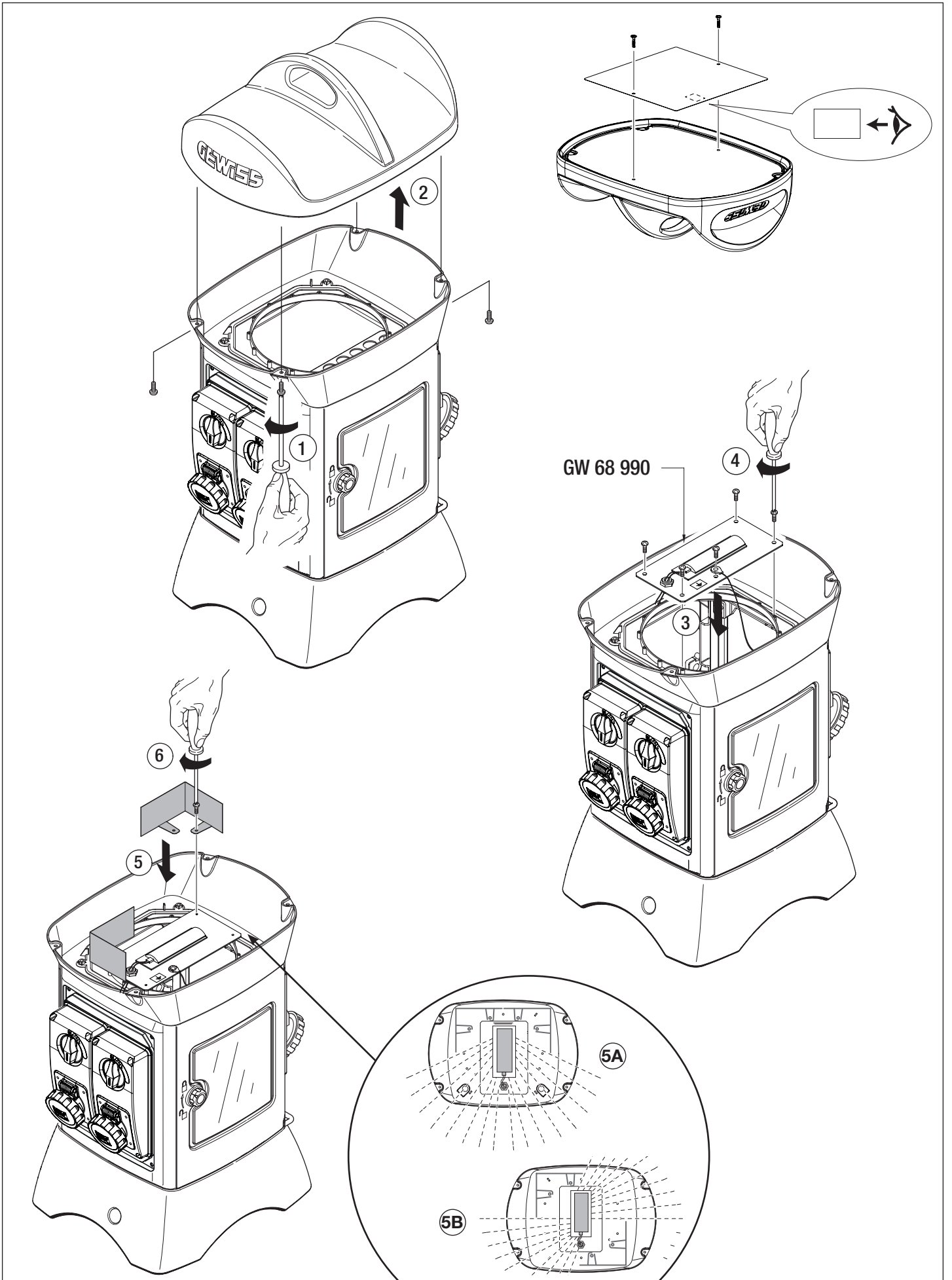
	<b>GW 68 790</b> FSS 16W 835 2PIN GR8
	<b>GW 68 990</b> 8,7W
	<b>GW 68 776</b>
	<b>GW 68 788</b>

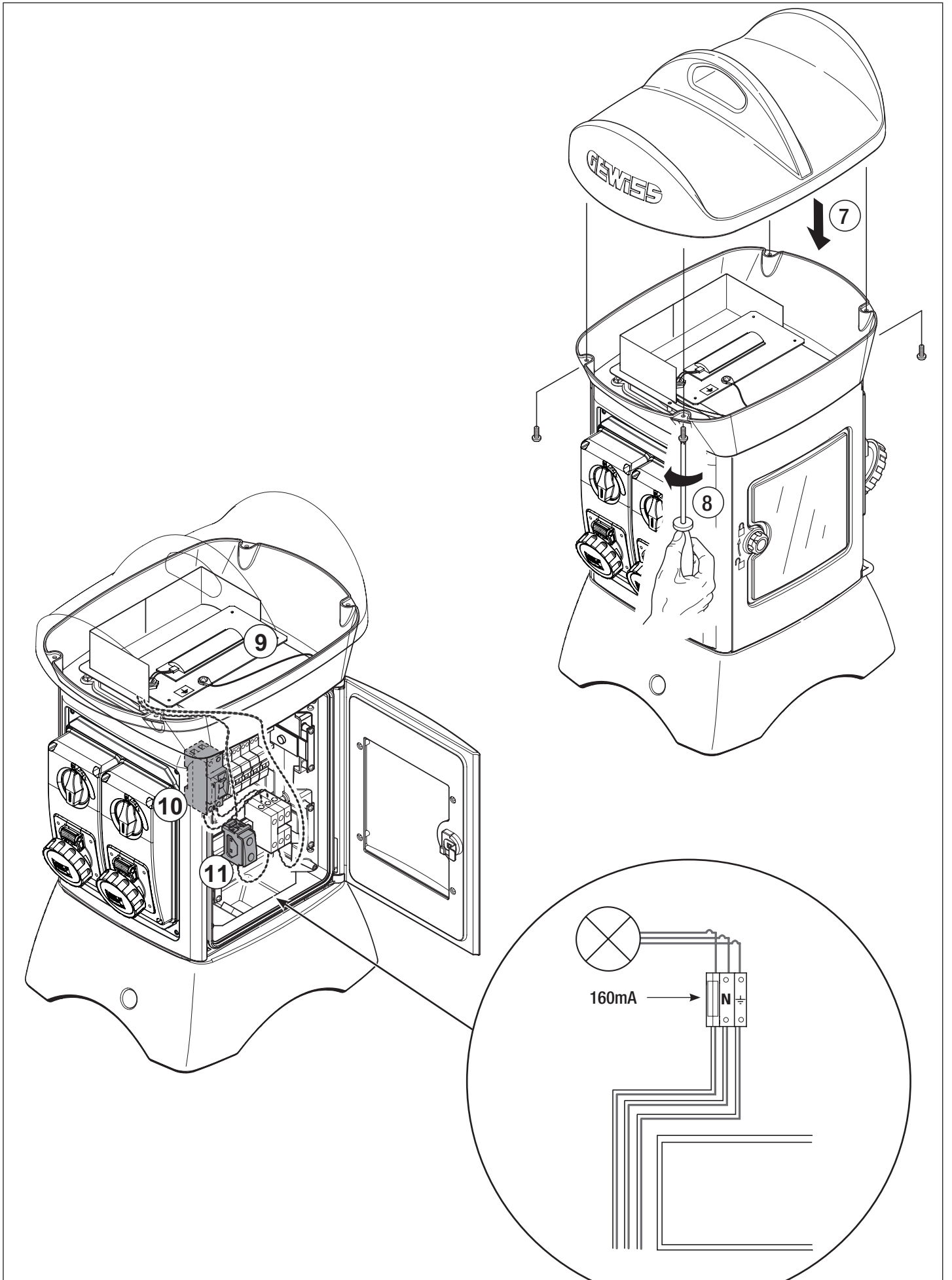
A1		2
B1	ø9	4
B2	M8	4

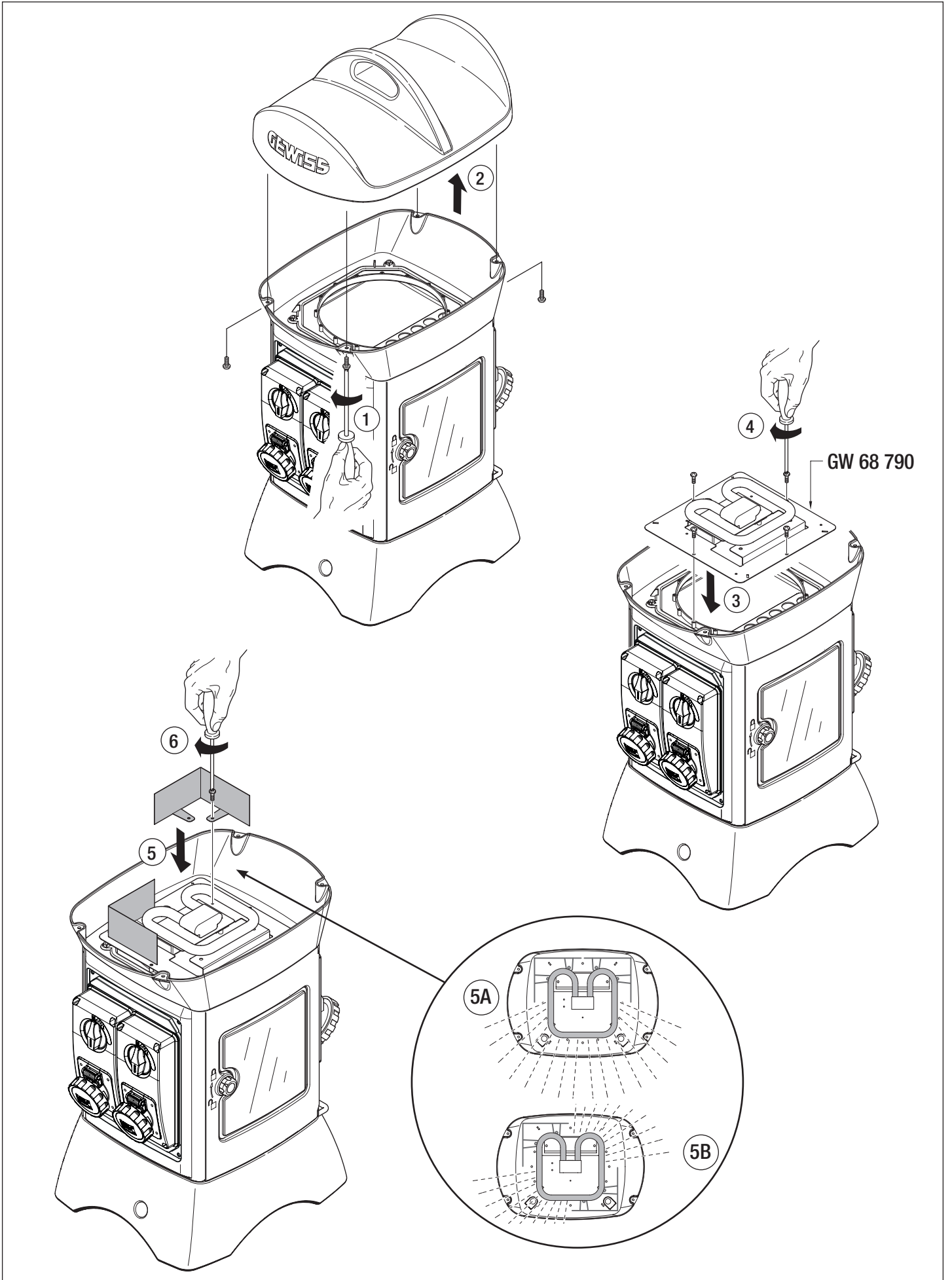


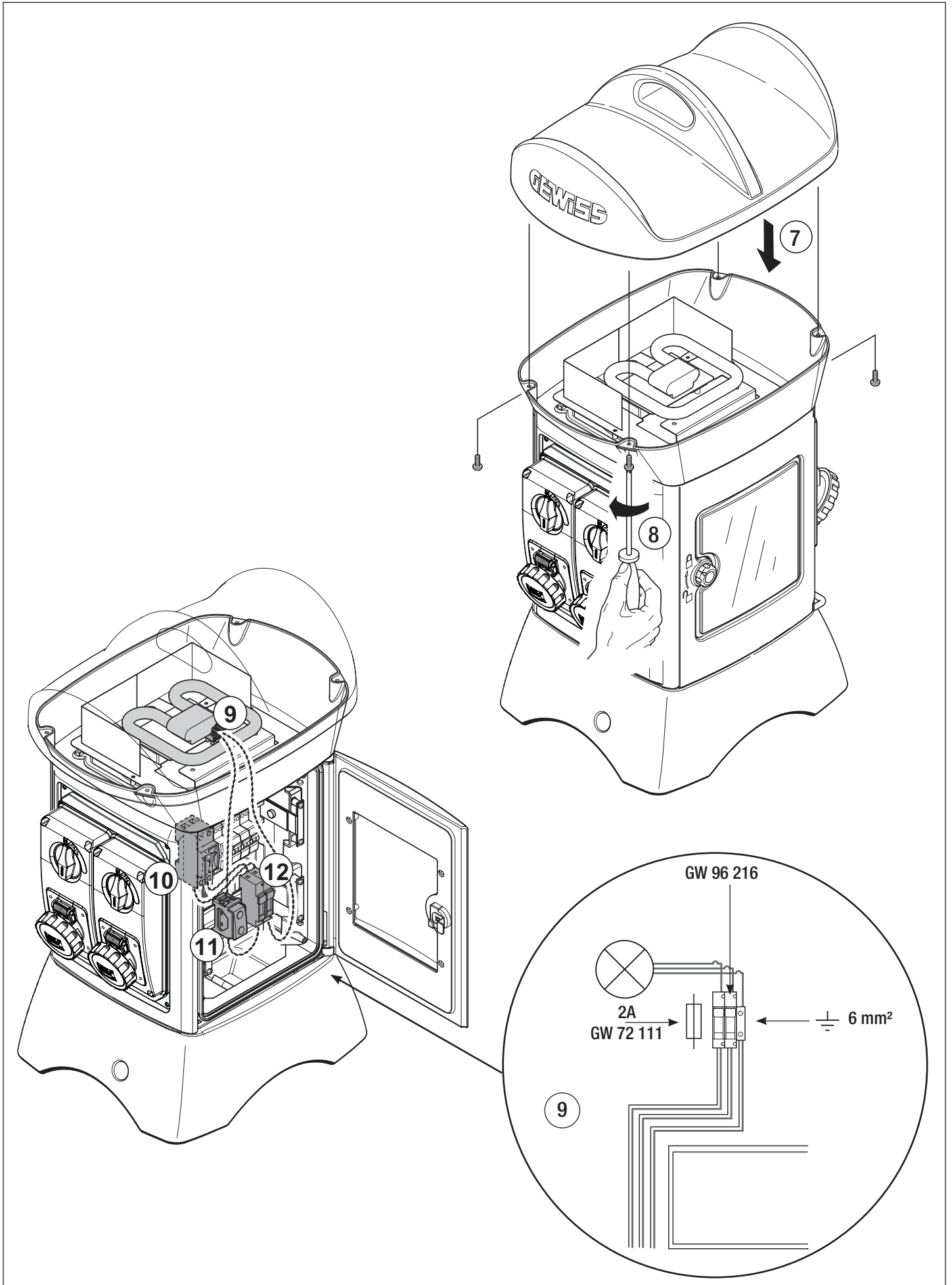


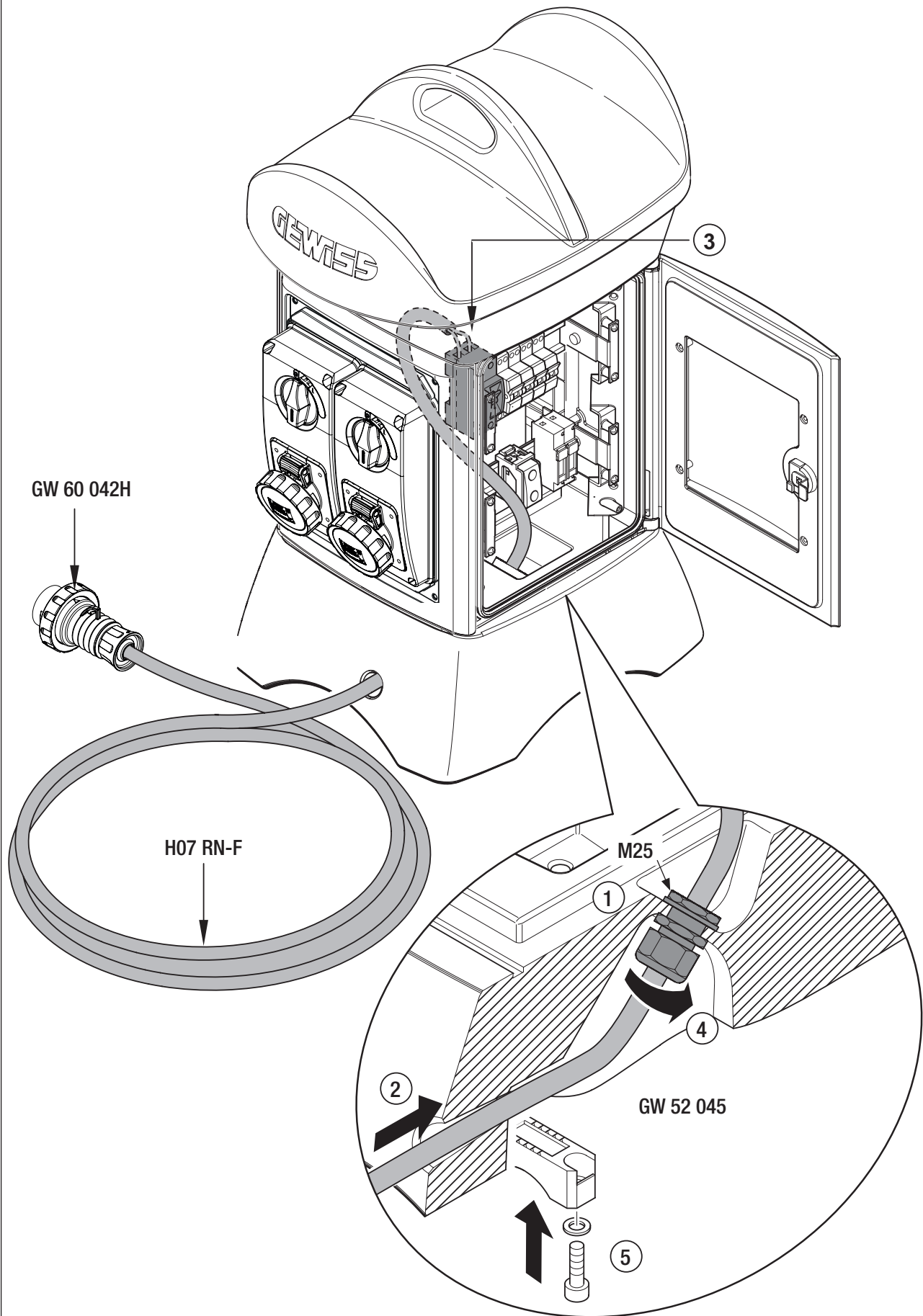


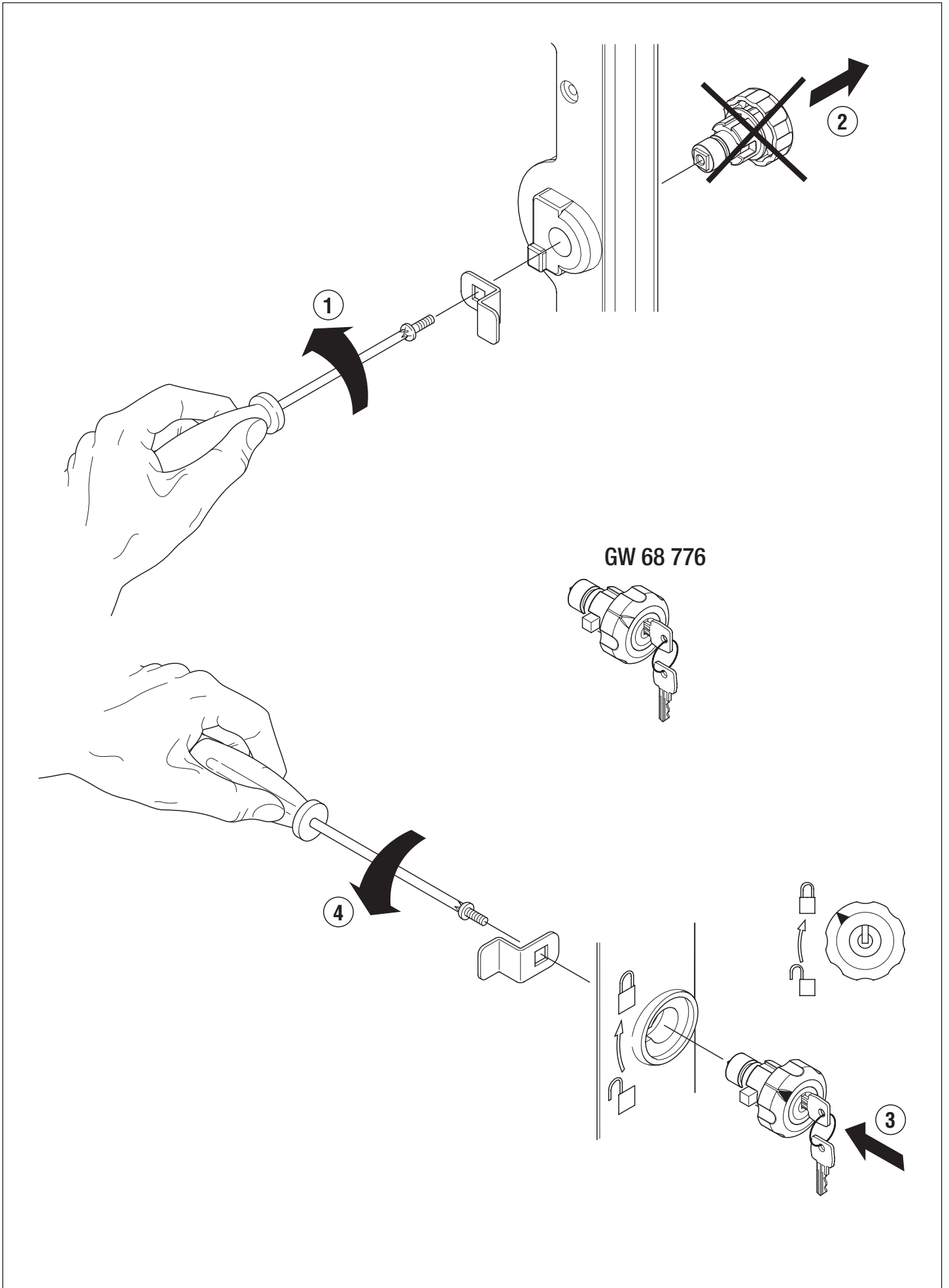




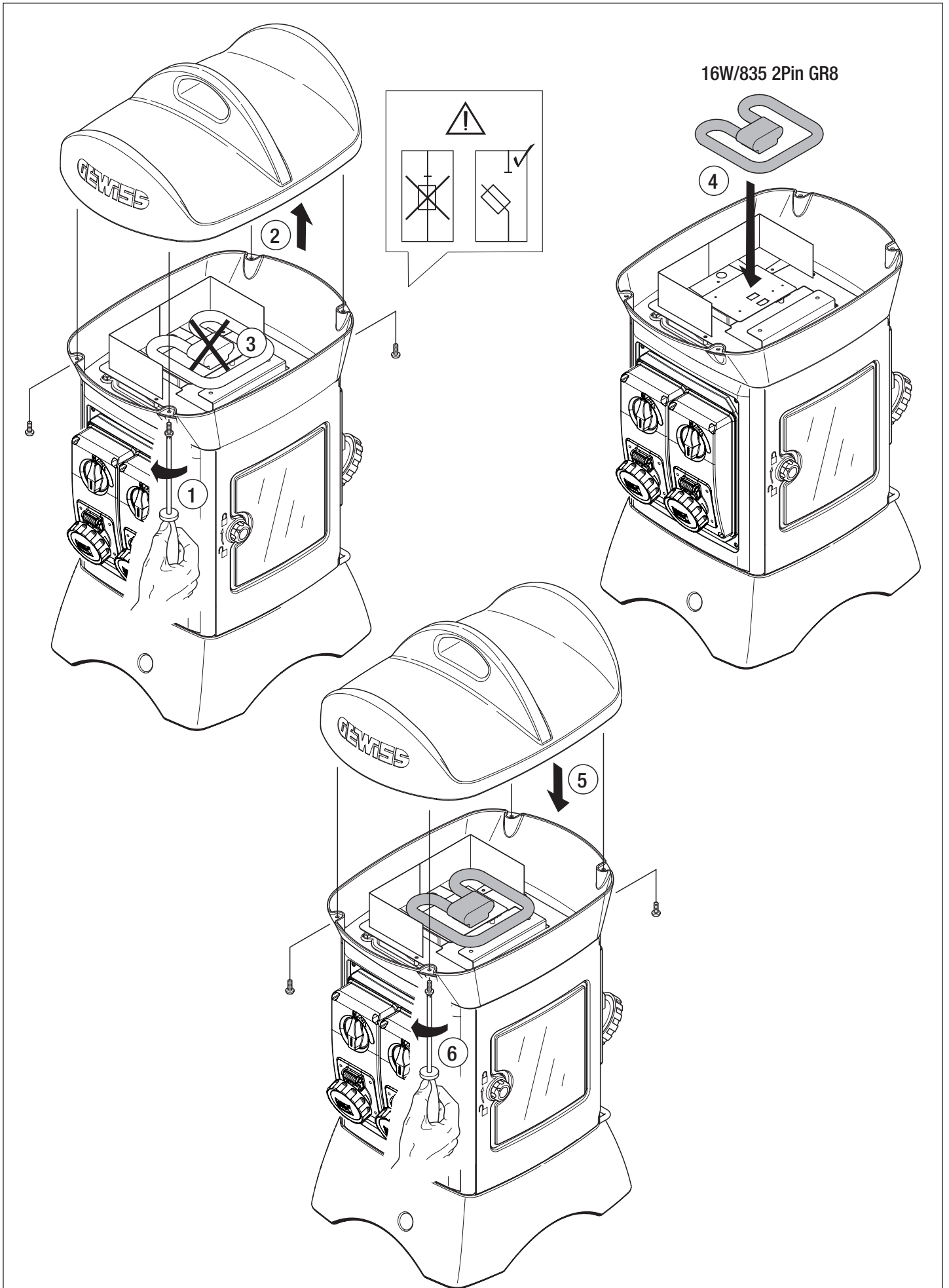


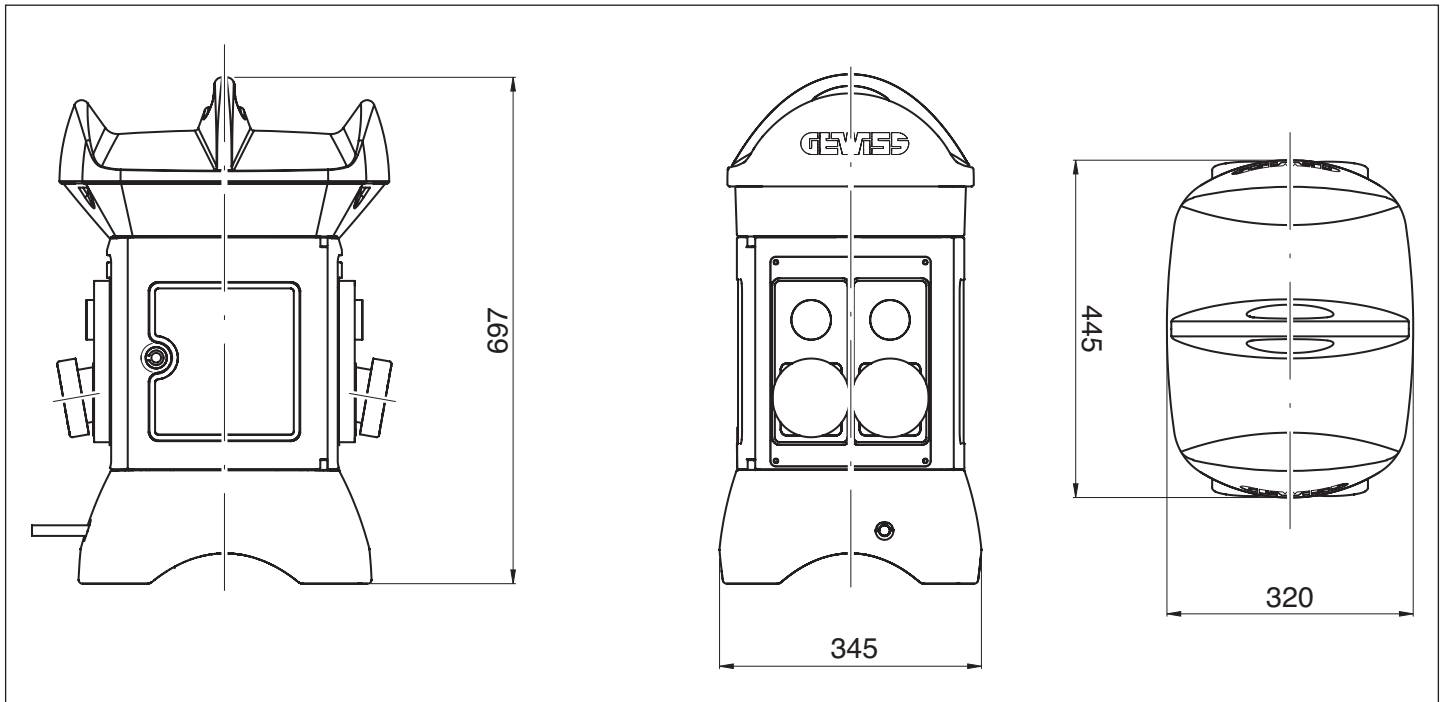
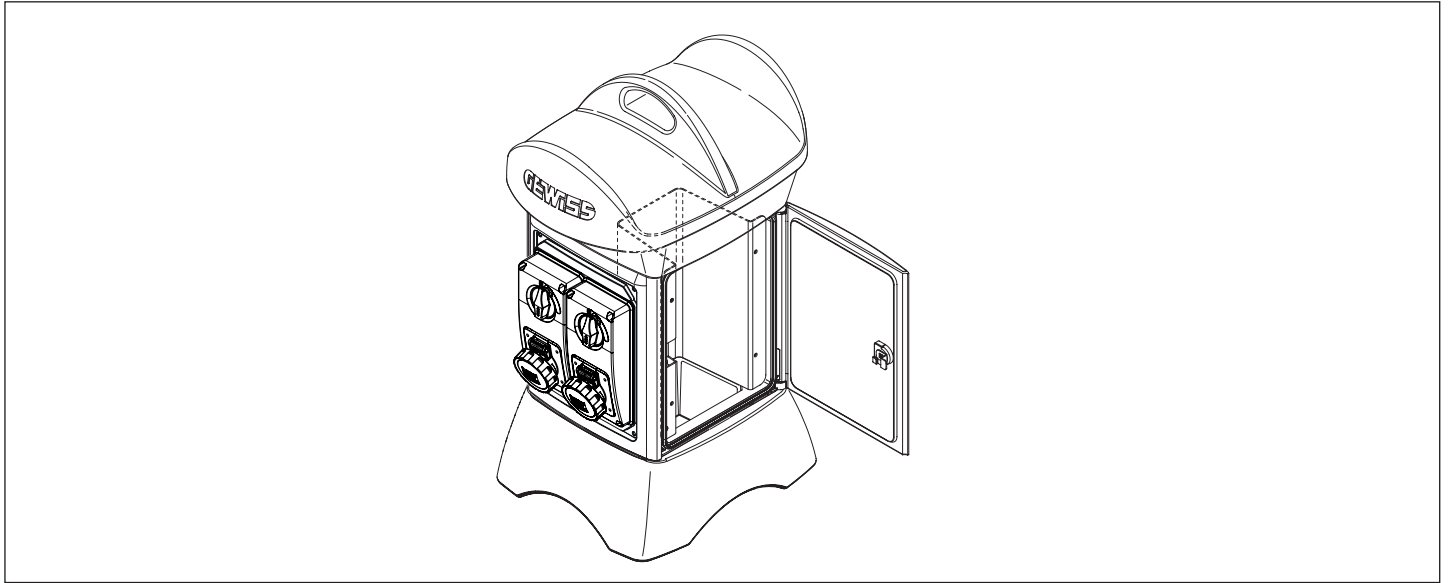












Punto di contatto indicato in adempimento ai fini delle direttive e regolamenti UE applicabili:

Contact details according to the relevant European Directives and Regulations:

GEWISS S.p.A. Via A.Volta, 1 IT-24069 Cenate Sotto (BG) Italy tel: +39 035 946 111 E-mail: qualitymarks@gewiss.com



+39 035 946 111  
8.30 - 12.30 / 14.00 - 18.00  
lunedì - venerdì - monday - friday



+39 035 946 260



sat@gewiss.com  
www.gewiss.com