



00162468913039

Altivar

VW3A31811...817, VW3A9206...208

VW3 A31811	ATV 31●H018M3X, H037M3X, H05M3X, H075M3X
VW3 A31812	ATV 31●H018M2, H037M2, H055M2, H075M2
VW3 A31813	ATV 31●HU11M3X, HU15M3X
VW3 A31814	ATV 31●HU11M2, HU15M2, HU22M3X, H037N4 ATV 31●H055N4, H075N4, HU11N4, HU15N4 ATV 31●H075S6X, HU15S6X ATV 21●H075M3X, HU15M3X, HU22M3X ATV 21●H075N4, HU15N4, HU22N4
VW3 A31815	ATV 31●HU22M2, HU30M3X, HU40M3X, HU22N4 ATV 31●HU30N4, HU40N4, HU22S6X, HU40S6X ATV 21●HU30M3X, HU40M3X ATV 21●HU30N4, HU40N4, HU55N4
VW3 A31816	ATV 31●HU55M3X, HU75M3X, HU55N4, HU75N4 ATV 31●HU55S6X, HU75S6X ATV 21●HU55M3X, HU75M3X ATV 21●HU75N4, HD11N4
VW3 A31817	ATV 31●HD11M3X, HD15M3X, HD11N4, HD15N4 ATV 31●HD11S6X, HD15S6X ATV 21●HD11M3X, D15M3X, HD18M3X ATV 21●HD15N4, HD18N4
VW3 A9206	ATV 21●HD22M3X, HD22N4, HD30N4 ATV ●1HD18M3X, HD22M3X, HD22N4, HD18M3X, HD22M3X, HD22N4
VW3 A9207	ATV 21●HD37N4, ATV 21●HD45N4 ATV ●1HD30N4, HD37N4
VW3 A9208	ATV 21●HD30M3X, HD55N4, HD75N4 ATV ●1HD45N4, HD75N4

DANGER

HAZARD OF ELECTRIC SHOCK, EXPLOSION, OR ARC FLASH

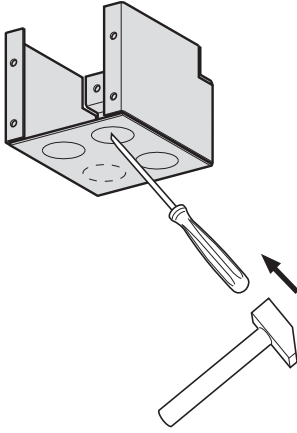
- Read and understand this manual and the manuals of the drive before installing this option.
- Installation must be performed by qualified personnel
- The user is responsible for compliance with all international and national electrical code requirements with respect to grounding of all equipment.
- Many parts of this drive, including the printed circuit boards, operate at the line voltage. DO NOT TOUCH. Use only electrically insulated tools.
- DO NOT touch unshielded components or terminal strip screw connections with voltage present.
- DO NOT short across terminals PA/+ and PC/- or across the DC bus capacitors.
- Before servicing the drive:
 - Disconnect all power, including external control power that may be present.
 - Place a "DO NOT TURN ON" label on all power disconnects.
 - Lock all power disconnects in the open position.
 - WAIT 15 MINUTES to allow the DC bus capacitors to discharge.
 - Measure the voltage of the DC bus between the PA/+ and PC/- terminals to ensure that the voltage is less than 42 Vdc.
 - If the DC bus capacitors do not discharge completely, contact your local Schneider Electric representative. Do not repair or operate the drive.
- Install and close all covers before applying power or starting and stopping the drive.

Failure to follow these instructions will result in death or serious injury.

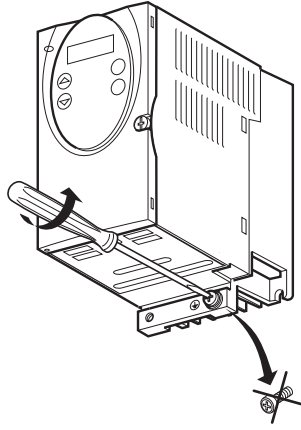
Electrical equipment should be installed, operated, serviced, and maintained only by qualified personnel. No responsibility is assumed by Schneider Electric for any consequences arising out of the use of this product.

© 2010 Schneider Electric. All Rights Reserved.

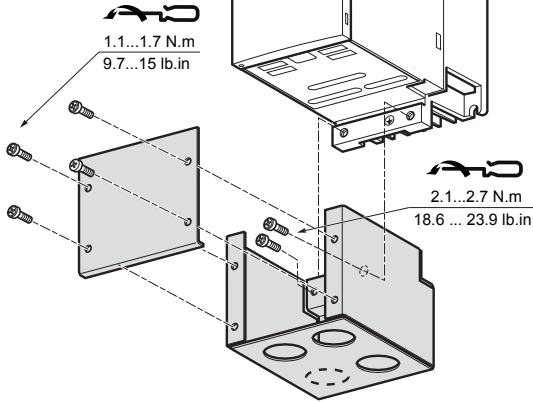
1)



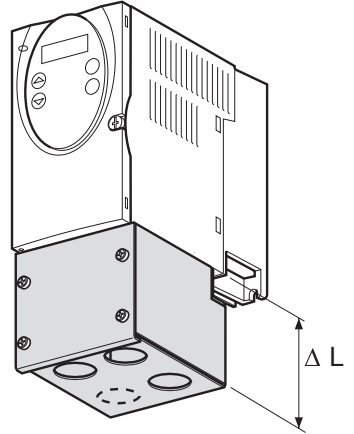
2)



3)



4)



	Δ L
VW3 A31811	68 mm (2.66 inch)
VW3 A31812	68 mm (2.66 inch)
VW3 A31813	68 mm (2.66 inch)
VW3 A31814	68 mm (2.66 inch)
VW3 A31815	68 mm (2.66 inch)
VW3 A31816	96 mm (3.76 inch)
VW3 A31817	99 mm (3.88 inch)
VW3 A9 206	59.9 mm (2.4 inch)
VW3 A9 207	51.5 mm (2 inch)
VW3 A9 208	136 mm (5.4 inch)