

LH FS 8 H16 GR V2A (204 029)

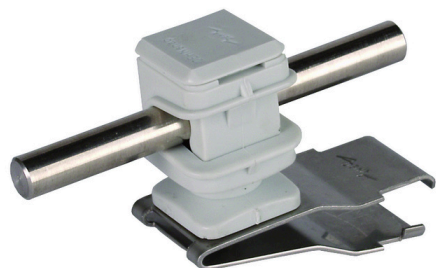
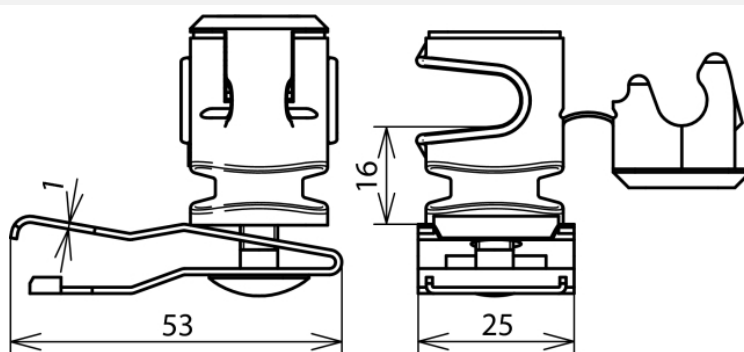


Figure without obligation



Type	LH FS 8 H16 GR V2A
Part No.	204 029
Material of roof conductor holder	StSt
Height of conductor holder	16 mm
Material of conductor holder	plastic
Colour of conductor holder	grey
Conductor support Rd	8 mm
Fixing	with clamping device
Type of conductor holder	DEHNsnap
Conductor routing	loose
Female thread	M6
Weight	35 g
Customs tariff number	85389099
GTIN	4013364032286
PU	50 Stk

We reserve the right to introduce changes in performance, configuration and technology, dimensions, weights and materials in the course of technical progress. The figures are shown without obligation.