

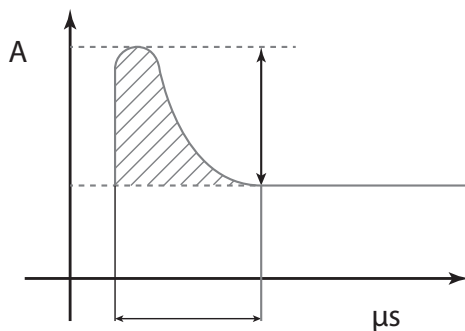
IP66



$t_{\min} -25^{\circ}\text{C}$

| | Kg | | | |
|------------------------|-----------|----------|--------------------|---------------------|
| ROAD [5] MINI | | | | |
| 24 LEDS (1M) | 6,8 | MAX 15 m | 0,15m ² | 0,05 m ² |
| 48 LEDS (2M) | 7 | MAX 15 m | 0,15m ² | 0,05 m ² |
| ROAD [5] MEDIUM | | | | |
| 72 LEDS (3M) | 8,5 | MAX 15 m | 0,19m ² | 0,06 m ² |
| 96 LEDS (4M) | 8,7 | MAX 15 m | 0,19m ² | 0,06 m ² |
| 120 LEDS (5M) | 8,9 | MAX 15 m | 0,19m ² | 0,06 m ² |

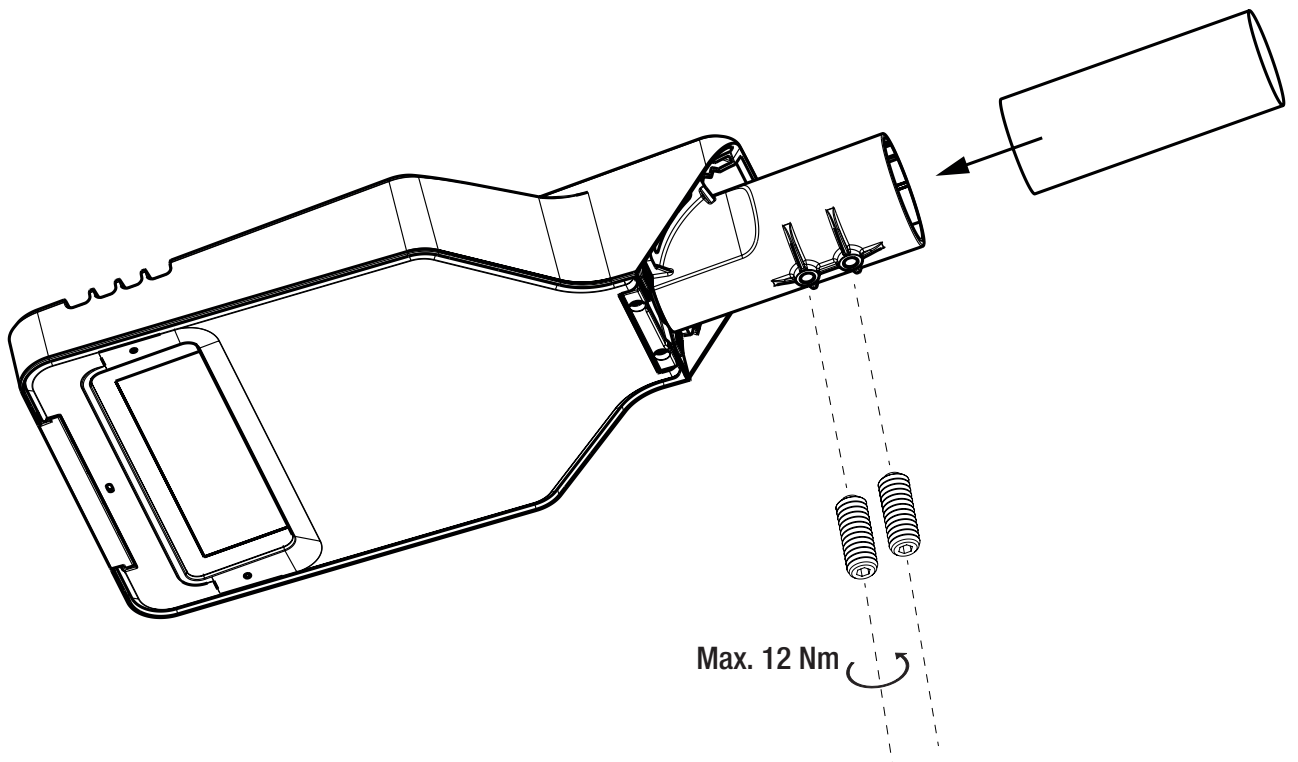
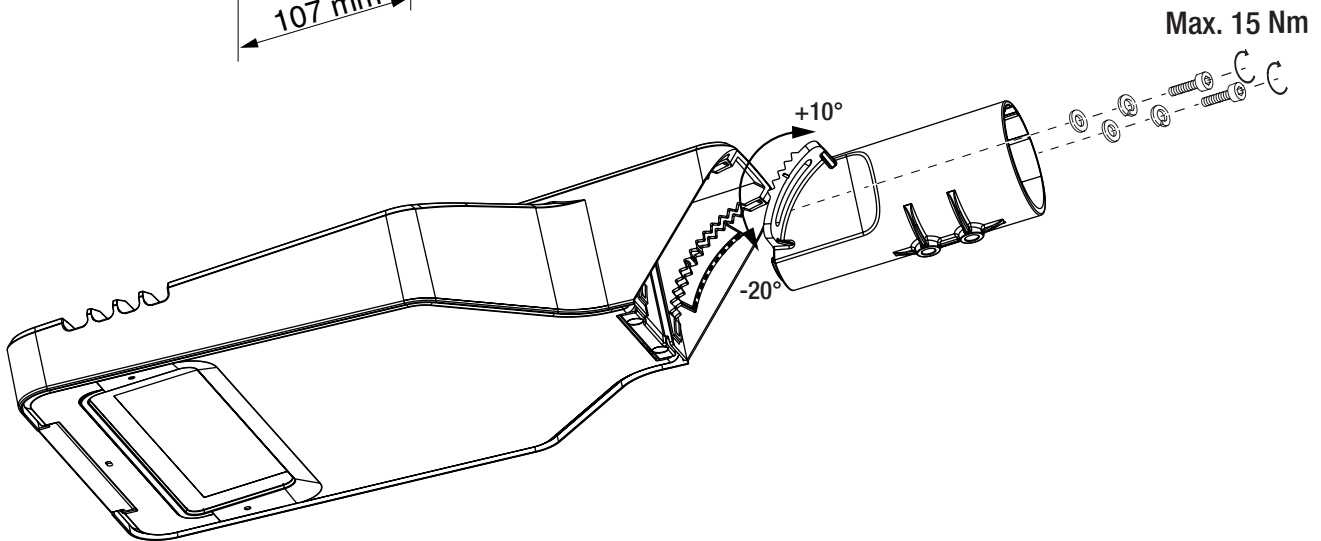
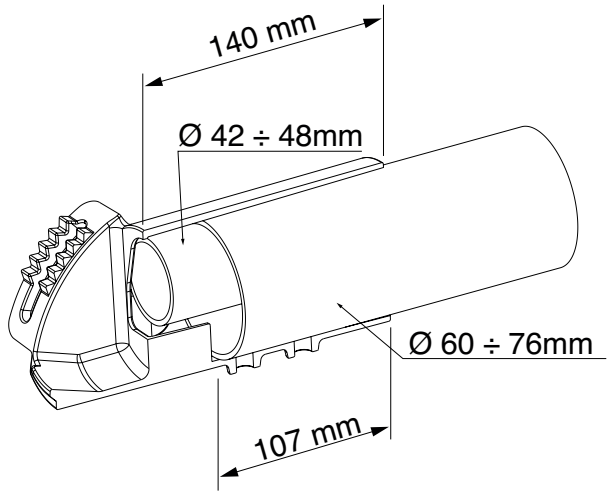
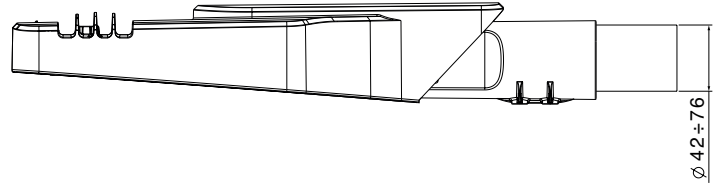
| ROAD [5] | | I_{LED} (mA) | Ta |
|----------|---------------|----------------|----------|
| MINI | 24 LEDS (1M) | 350 | max 40°C |
| | 48 LEDS (2M) | 350 | max 40°C |
| | 24 LEDS (1M) | 500 | max 40°C |
| | 48 LEDS (2M) | 500 | max 30°C |
| | 24 LEDS (1M) | 700 | max 40°C |
| | 48 LEDS (2M) | 700 | max 30°C |
| MEDIUM | 72 LEDS (3M) | 350 | max 40°C |
| | 72 LEDS (3M) | 500 | max 30°C |
| | 96 LEDS (4M) | 350 | max 40°C |
| | 96 LEDS (4M) | 500 | max 30°C |
| | 120 LEDS (5M) | 350 | max 40°C |

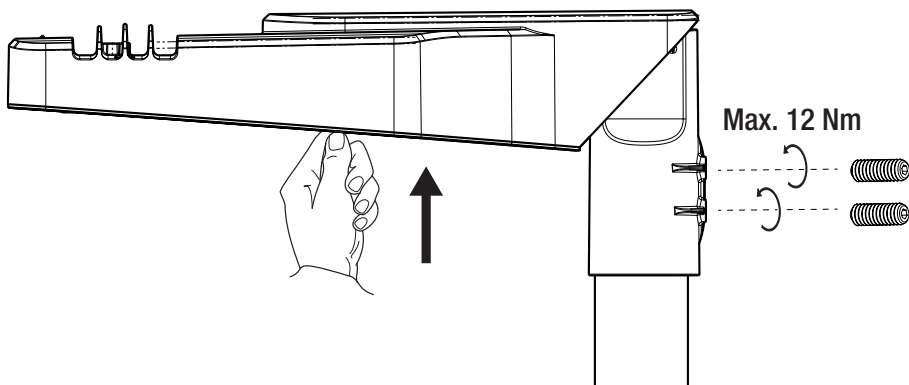
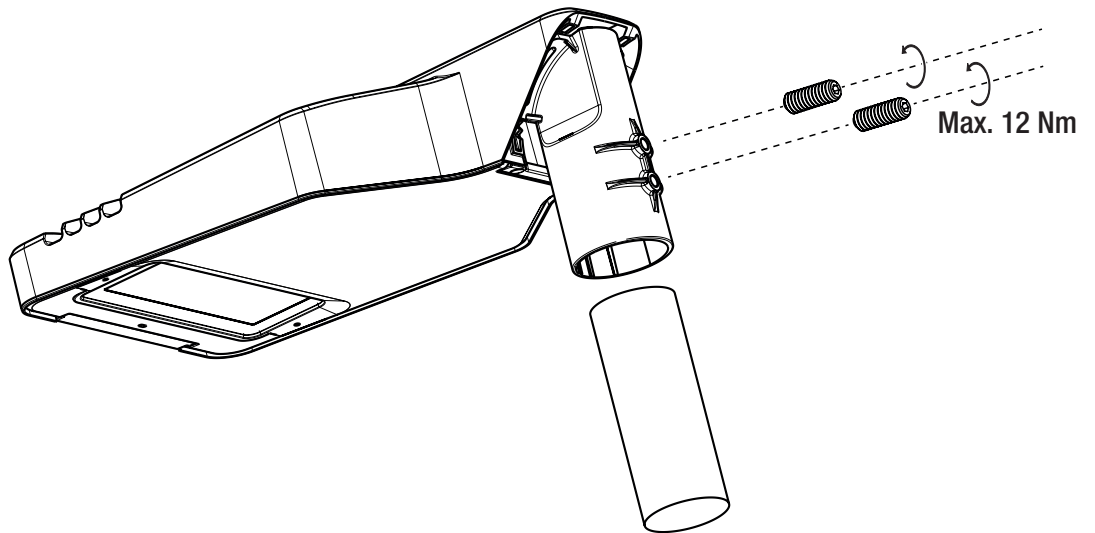
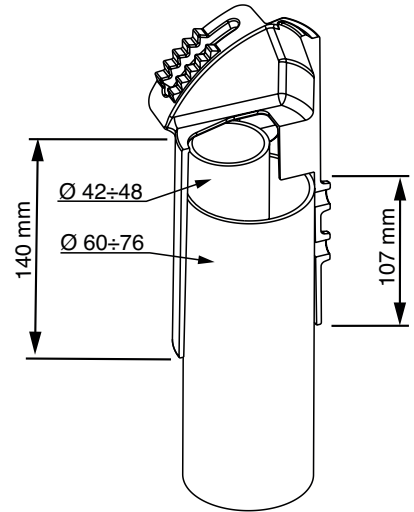
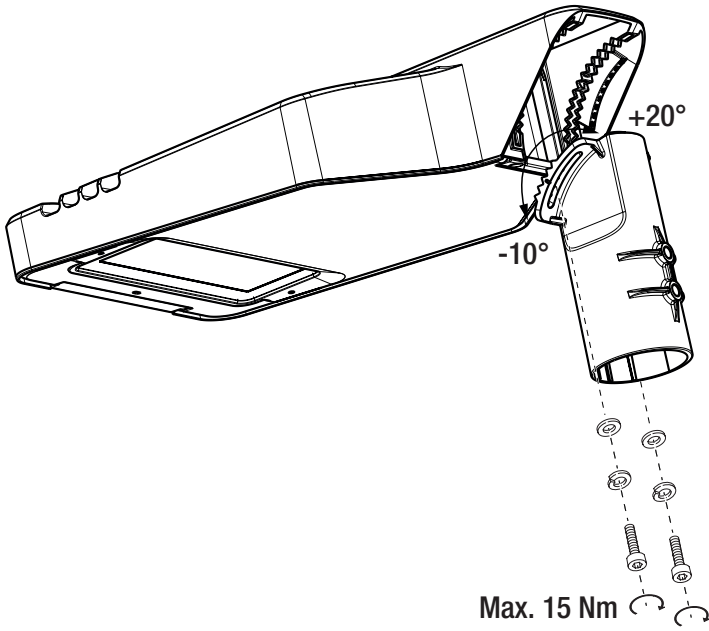
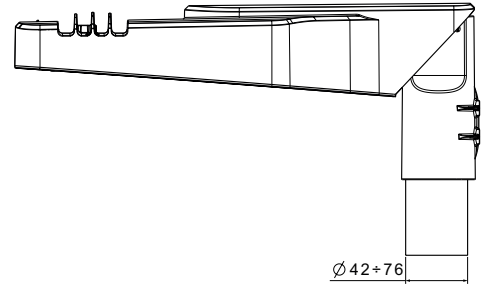


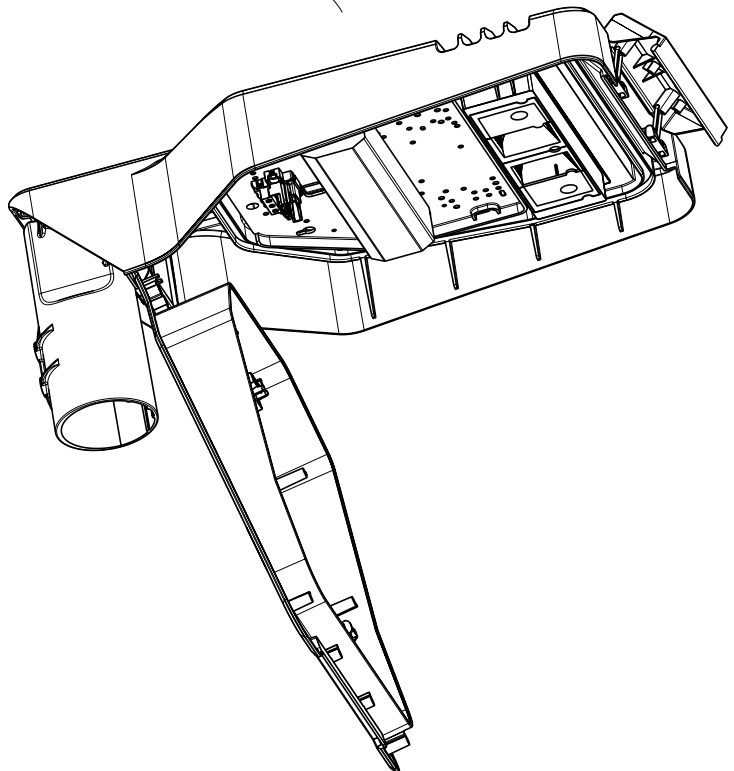
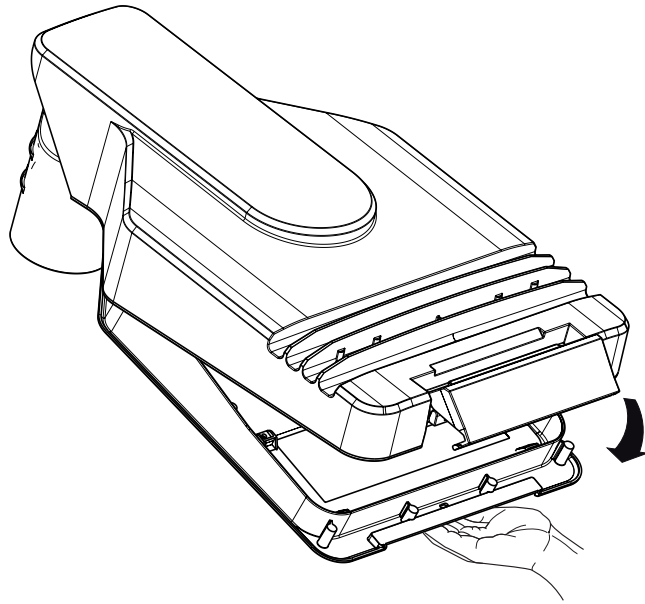
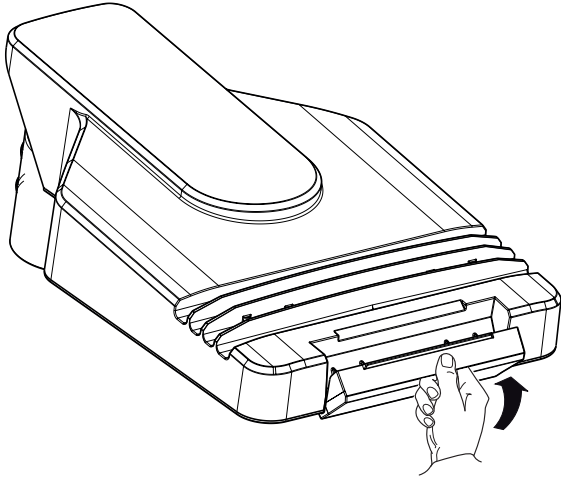
| | I_{LED} (mA) | Inrush Current Peak and Width |
|------------------------|----------------|-------------------------------|
| ROAD [5] MINI | | |
| 24 LEDS (1M) | 350/500 | 27A/265μs |
| 24 LEDS (1M) | 700 | 46A/250μs |
| 48 LEDS (2M) | 350/500 | 46A/250μs |
| 48 LEDS (2M) | 700 | 53A/300μs |
| ROAD [5] MEDIUM | | |
| 72 LEDS (3M) | 350/500 | 53A/300μs |
| 96 LEDS (4M) | 350/500 | 53A/300μs |
| 120 LEDS (5M) | 350 | 53A/300μs |

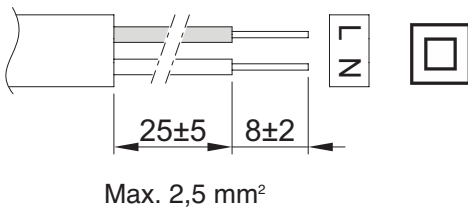
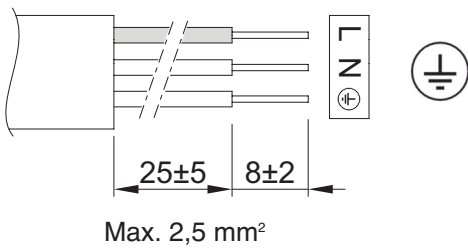
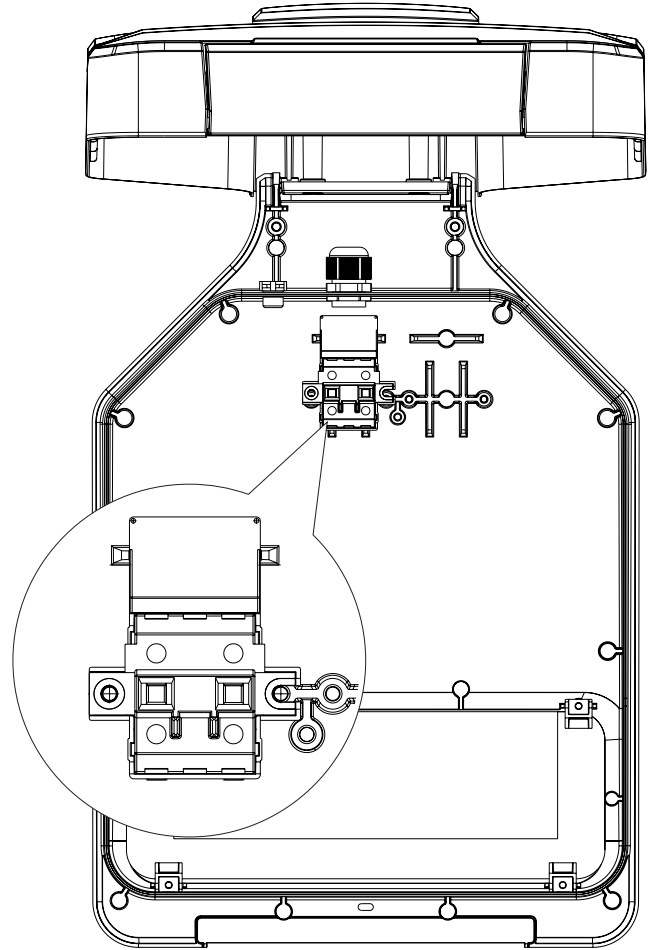
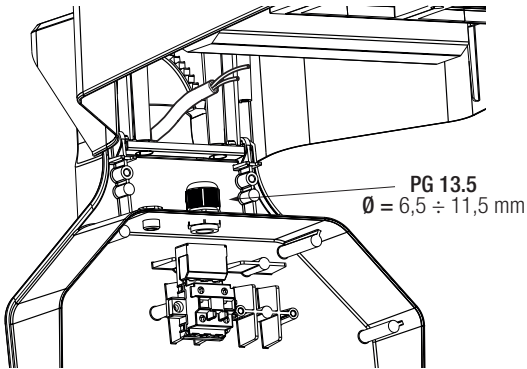
| |
|----------------------|
| STREET OPTICS |
| |
| W |
| 2,5 m |



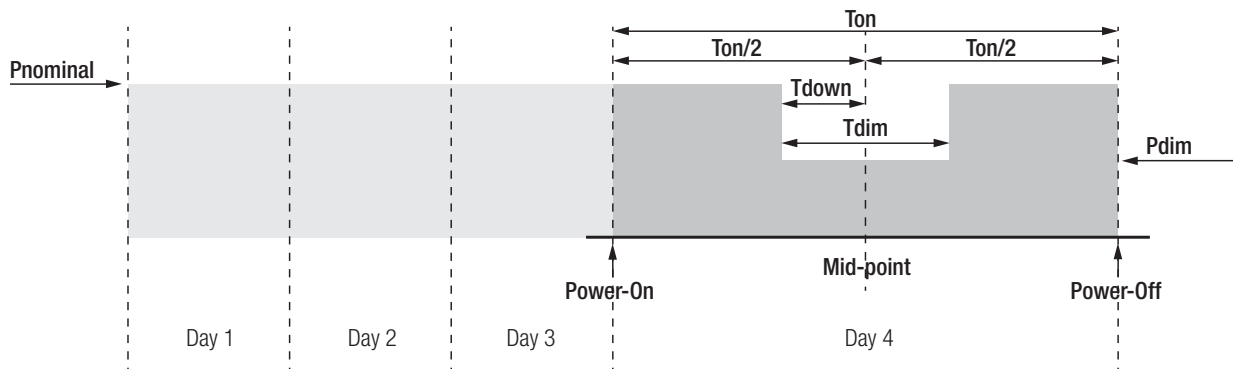




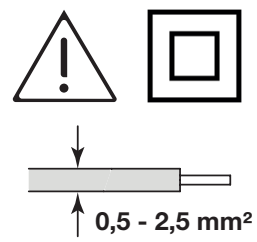
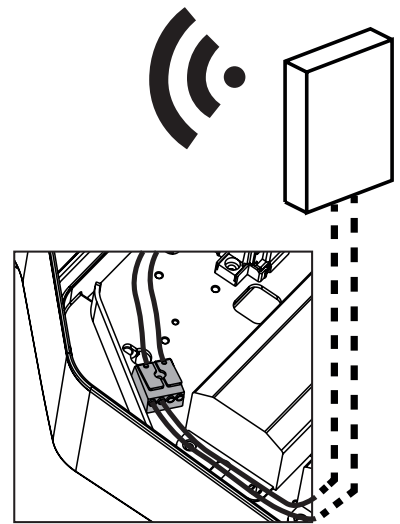
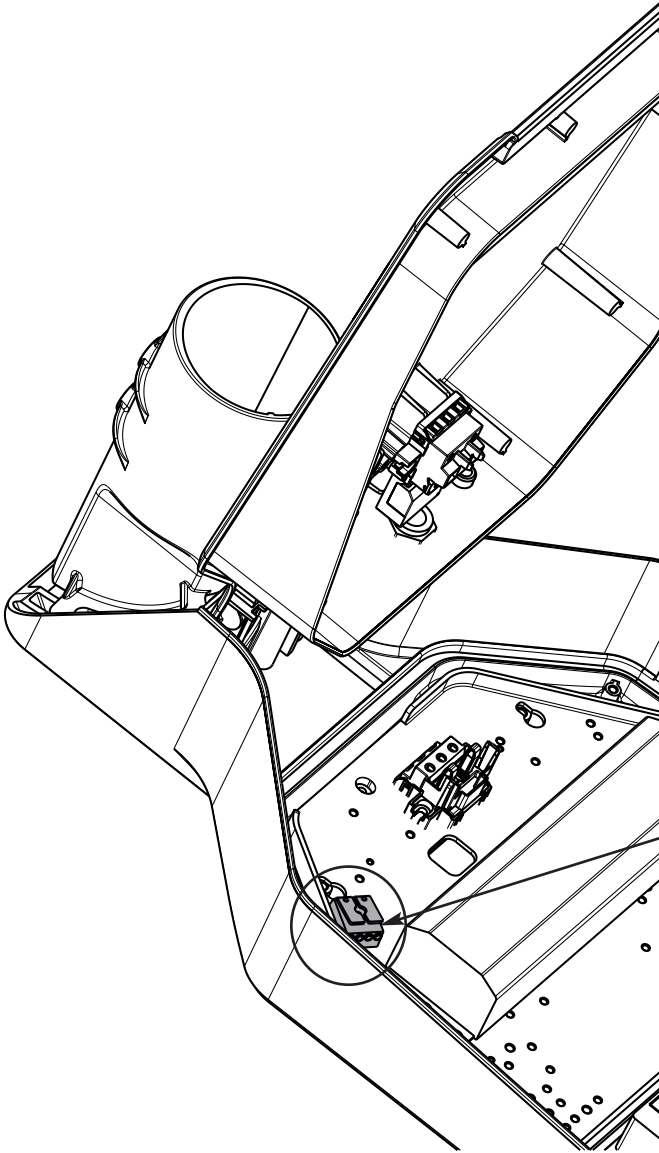


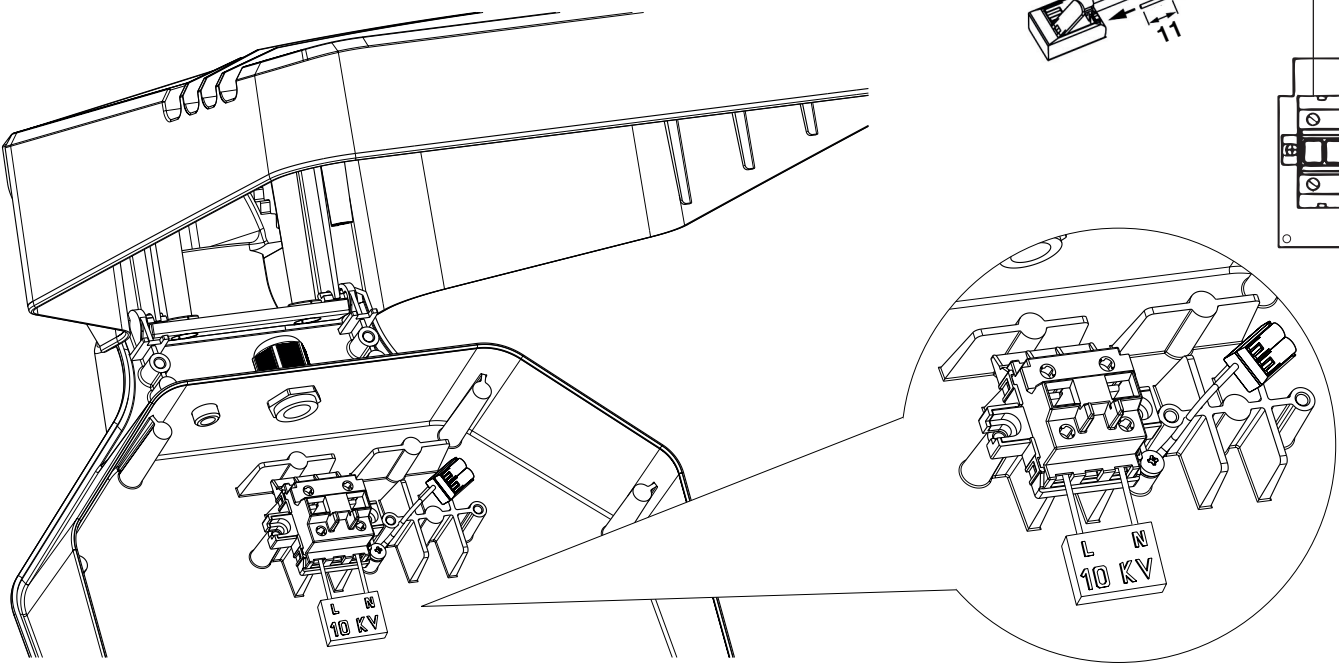
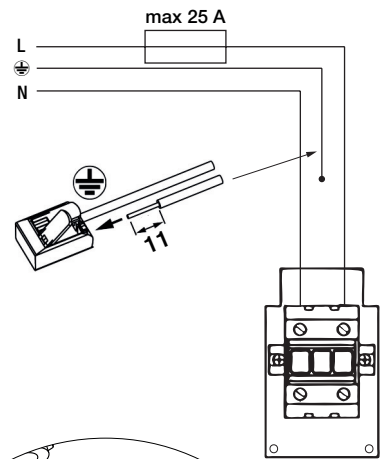
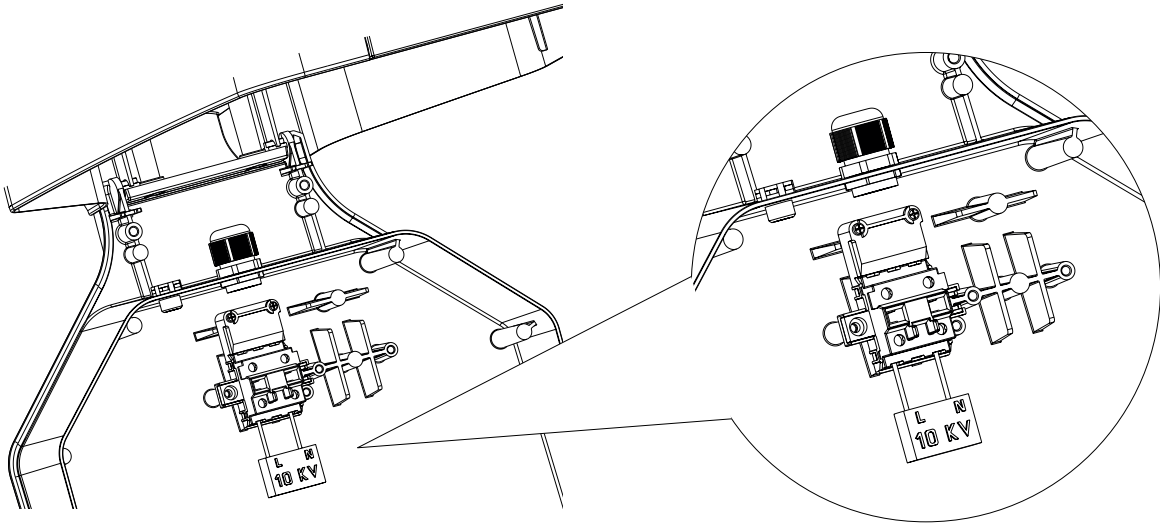
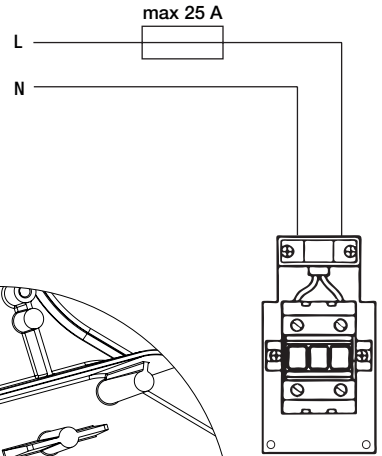


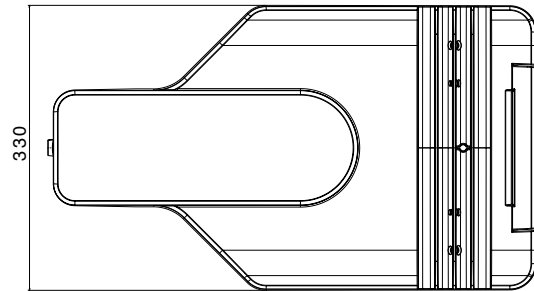
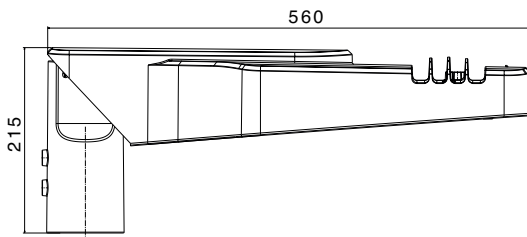
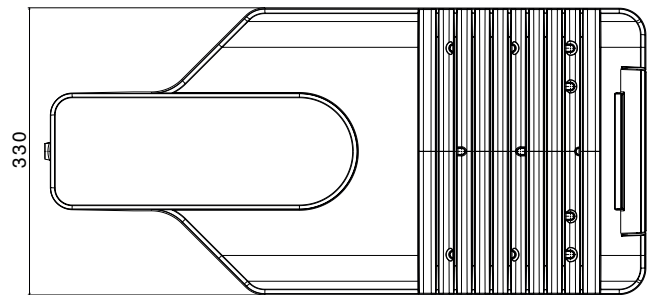
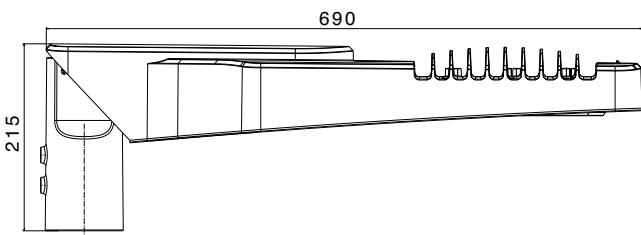
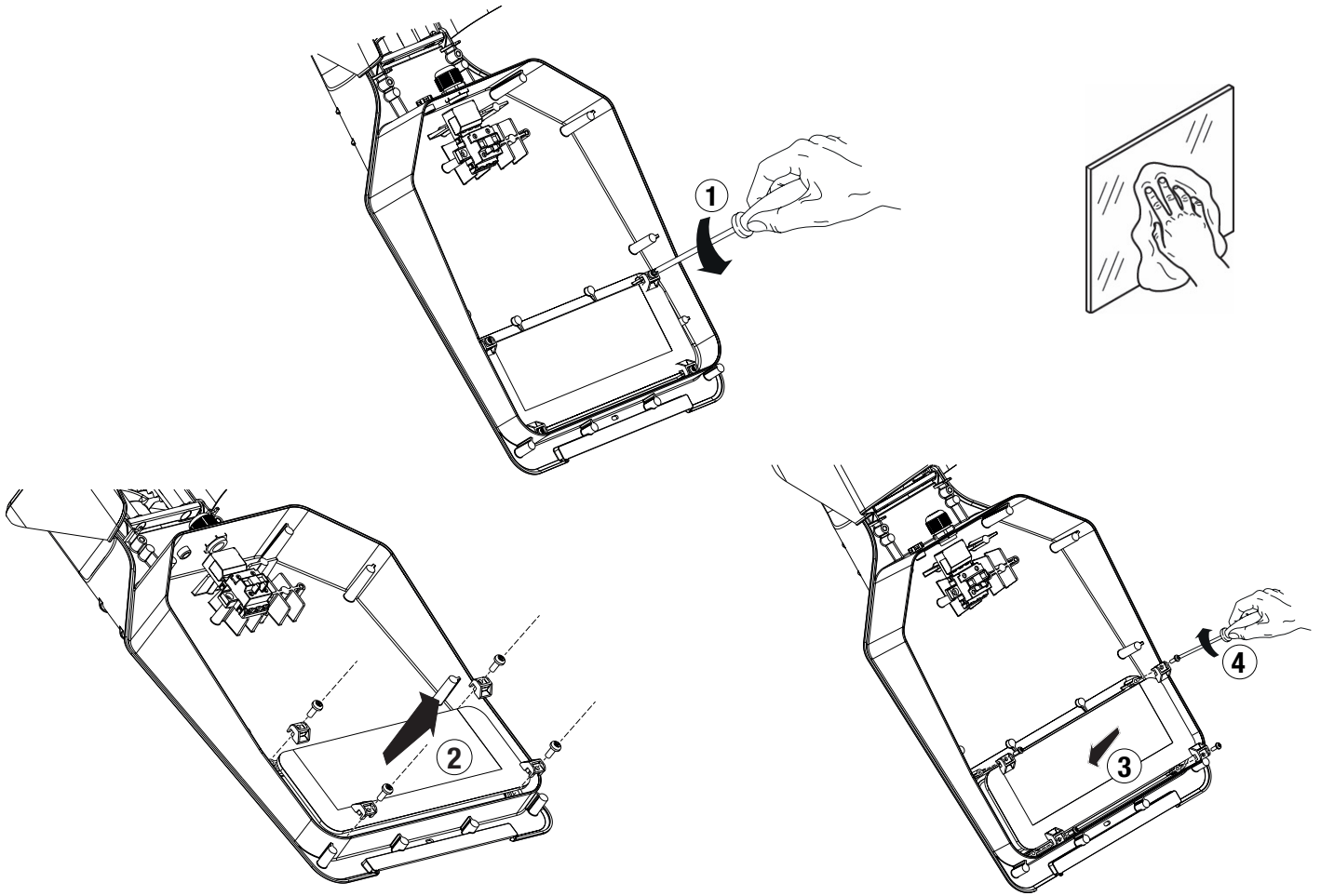
BI-POWER



| Dim Level (%) | T-dim (hrs) | T-down (hrs) | After Midpoint (hrs) |
|---------------|-------------|--------------|----------------------|
| 50 | 5 | 1 | 4 |







Punto di contatto indicato in adempimento ai fini delle direttive e regolamenti UE applicabili:
 Contact details according to the relevant European Directives and Regulations:

GEWISS S.p.A. Via A.Volta, 1 IT-24069 Cenate Sotto (BG) Italy tel: +39 035 946 111 E-mail: qualitymarks@gewiss.com



+39 035 946 111
 8.30 - 12.30 / 14.00 - 18.00
 lunedì ÷ venerdì - monday ÷ friday



+39 035 946 260



sat@gewiss.com
www.gewiss.com