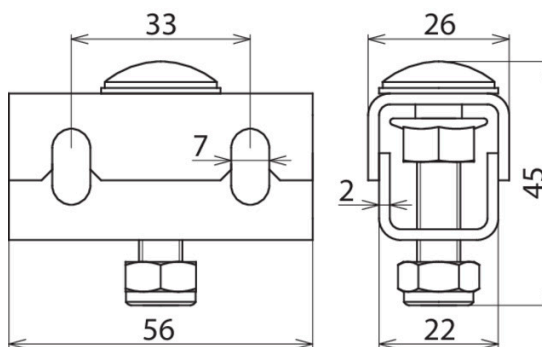


PAK 35 M8 EX KB ER (306 200)



Figure without obligation



Equipotential bonding clamp for cable trays

- Connection only with ring equipotential bonding conductor 35 mm², Part No. 832 838 (tinned copper cable)
- For mounting on the perforated cable tray or on the equipotential bonding plate (PAP 1 / PAP 2)
- EB clamp to be mounted approx. every 0.5 m

| Type | PAK 35 M8 EX KB ER |
|--|--|
| Part No. | 306 200 |
| Material | StSt |
| Connection to | PAP 1 EX KB ER or PAP 2 EX KB ER or cable tray or wide span cable tray |
| Clamping range EB ring conductor | 35 mm ² , Cu/gal Sn |
| Screw | M8 x 40 mm |
| Material of screw / nut | StSt |
| Material No. | 1.4301 |
| EX zone | 2/22 |
| Short-circuit current AC (50 Hz / 5 s) | 1.5 kA |
| Short-circuit current DC (5 s) | 250 A |
| Weight | 74 g |
| Customs tariff number | 85389099 |
| GTIN | 4013364327368 |
| PU | 50 Stk |

We reserve the right to introduce changes in performance, configuration and technology, dimensions, weights and materials in the course of technical progress. The figures are shown without obligation.