

Product Data Sheet

GWA1526

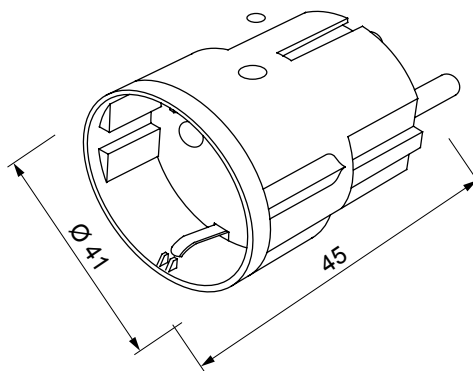
90 AM Range



Wirelessly connected device with Zigbee protocol from the ChoruSmart system. It can be used with Home Gateway for "CONNECTED SMART HOME" solutions and with Smart Gateway for "HOME AND BUILDING PRO" solutions. Ideal for residential and small commercial offices, new builds and renovations. Zigbee technology is a secure and reliable technology in which data is encrypted and every node within the network ensures reachability across all devices (mesh network). This device can also be used without Home Gateway and Smart Gateway (manual configuration with dip-switch or via IoT Configurator), in which case supervision via the app is not possible.

Category	Smart plug	Colour	White
Communication protocol	Zigbee (IEEE 802.15.4)	Max current supplied	10 A
Output power	8 dBm	Dispersible max power (W)	2 W
Type of plug	2P+E - 10A	Socket-outlet type	2P+E - 10A
Standard	2014/53/EU	IP degree	IP40
Working temperature	0 ÷ +40 °C	Stocking temperature	-20 ÷ +80 °C
Relative humidity (non-condensative)	Max 93%	Dimensions ØxH (mm)	41x45
Electrocod	051A		

DIMENSIONAL



TECHNICAL SYMBOLOGY

IP

IP40

STANDARDS/APPROVALS



GEWISS S.p.A. Via A. Volta, 1
24069 Cenate Sotto - Bergamo - Italy
tel. +39 035 94 61 11 fax +39 035 94 69 09

www.gewiss.com
sat@gewiss.com
Last update 20/04/2023

Data, measures, designs and pictures are shown only as informative purposes, and could be changed without previous notice