

PV 7.10 SKM8X20 CU (307 007)

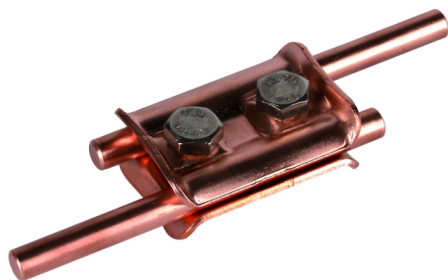
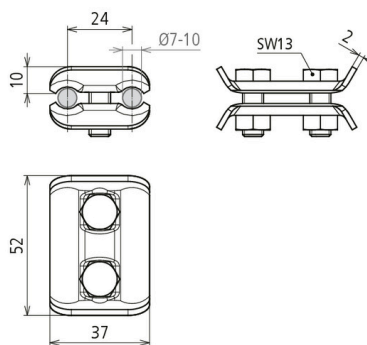


Figure without obligation



Arrangement:

| Type | PV 7.10 SKM8X20 CU |
|---|----------------------|
| Part No. | 307 007 |
| Material of clamp | Cu |
| Clamping range Rd / Rd | 7-10 mm |
| Screw | M8 x 20 mm |
| Material of screw / nut | StSt |
| Lightning current carrying capability (10/350 µs) | 100 kA ^{*)} |
| Standard | EN 62561-1 |
| Weight | 104 g |
| Customs tariff number | 85389099 |
| GTIN | 4013364024168 |
| PU | 50 Stk |

^{*)}For exact classification, see test certificate.

We reserve the right to introduce changes in performance, configuration and technology, dimensions, weights and materials in the course of technical progress. The figures are shown without obligation.