


52106000	DATA SHEET	
Valid from: 03.07.2018	SKINDICHT® ZSE-M / ZSE-M-XL	

The SKINDICHT® ZSE-M / ZSE-M XL hexagonal converter with a metric connecting thread and a recess for an O-Ring enables glands with PG-threads to be used in housing openings with metric threads.

A higher protection class can be achieved by use of the O-ring.

These converters are used in our cable glands:

SKINDICHT® SHV-M
SKINDICHT® SHVE-M
SKINDICHT® SR-SV-M
SKINDICHT® SRE-M



Technical features ZSE-M:

Material	Brass, nickel-plated
External thread	M12x1,5 up to M63x1,5 acc. to EN 60423
Internal thread	PG7 up to PG48 acc. to DIN 40430
Design	Standard
Temperature range	-60°C up to +200°C


Technical features ZSE-M-XL:

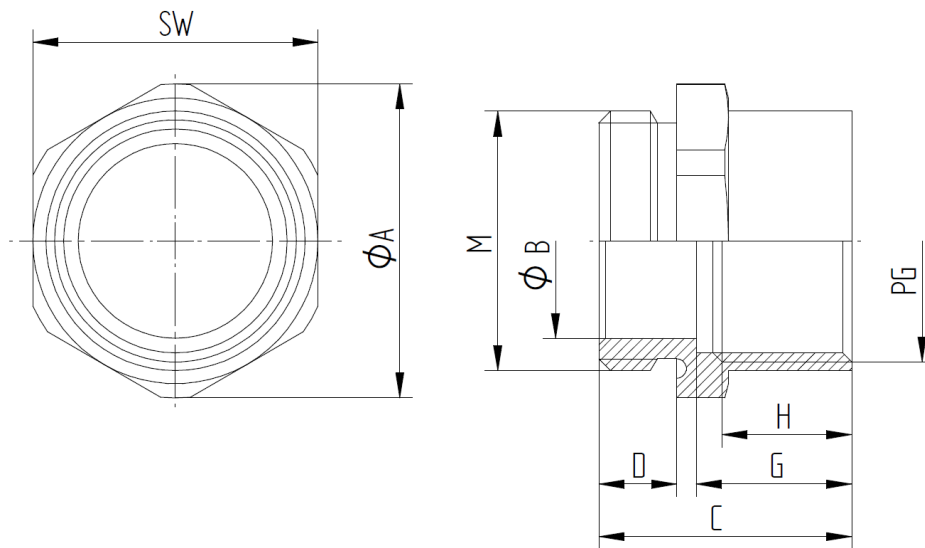
Material	Brass, nickel-plated
External thread	M12x1,5 up to M32x1,5 acc. to EN 60423
Internal thread	PG7 up to PG29 acc. to DIN 40430
Design	with long connecting thread
Temperature range	-60°C up to +200°C

Norm references:



Creator: M. Wegerer /PDP Released: DAMU1/PDP	Document: DB52106000EN Version: 03	Page 1 of 2
---	---------------------------------------	-------------

52106000	DATA SHEET	
Valid from: 03.07.2018	SKINDICHT® ZSE-M / ZSE-M-XL	



SKINDICHT® ZSE-M

External thread M	Internal thread PG	Wrench Size SW mm	Diameter		Length		Thread Length		Part No.
			Ø A mm	Ø B mm	C mm	G mm	D mm	H mm	
M12x1,5	PG 7	14	15,5	8,5	16	9	5	6,5	52106000
M16x1,5	PG 9	18	19,8	12	16	9,5	5	7,5	52106010
M20x1,5	PG 11	22	24,2	15	19,5	12	6	9,5	52106020
M20x1,5	PG 13,5	22	24,2	16	19,5	11,5	6	8	52106030
M20x1,5	PG 16	24	26,7	16	22,5	14,5	6	10	52106040
M25x1,5	PG 21	30	33,5	20,7	23	13,5	7	9	52106050
M32x1,5	PG 29	40	43,5	27,7	27,5	17	8	11,5	52106060
M40x1,5	PG 36	50	54	34,5	28	17,5	8	12,5	52106070
M50x1,5	PG 42	57	61	44	31,5	20	9	15,5	52106080
M63x1,5	PG 48	67	73,5	54,5	33	21	10	17,5	52106090

SKINDICHT® ZSE-M-XL

External thread M	Internal thread PG	Wrench Size SW mm	Diameter		Length		Thread Length		Part No.
			Ø A mm	Ø B mm	C mm	G mm	D mm	H mm	
M12x1,5	PG 7	14	15,5	8,5	21	9	10	6,5	52106005
M16x1,5	PG 9	18	19,8	12	21	9,5	10	7,5	52106015
M20x1,5	PG 11	22	24,2	15	26,5	12	13	9,5	52106025
M20x1,5	PG 13,5	22	24,2	16	26,5	11,5	13	8	52106035
M20x1,5	PG 16	24	26,7	16	29,5	14,5	13	10	52106045
M25x1,5	PG 21	30	33,5	20,7	29	13,5	13	9	52106055
M32x1,5	PG 29	40	43,5	27,7	32,5	17	13	11,5	52106065

For more information please see our current catalogue. Please do not hesitate to contact our laboratory if there are any questions regarding resistance against aggressive agents and special oil.

Creator: M. Wegerer /PDP Released: DAMU1/PDP	Document: DB52106000EN Version: 03	Page 2 of 2
---	---------------------------------------	-------------