



# MASTER VALUE LEDs pot LV



## MAS LED spot VLE D 5.8-35W MR16 927 60D

Philips MASTER VALUE MR16 is the series of Low Voltage (12VAC) Halogen MR16 replacements. Not only does it employ Philips' patented solution to guarantee the broadest possible compatibility with standard 12V Halogen electronic transformers. It also delivers beam intensity which is equivalent to the 50W Philips Halogen MR16 lamps. The form-factor of Philips MASTER Value LED MR16 guarantees a 100% form on the back-side of the lamp (exact form with Halogen lamps.)

### Warnings and Safety

- Operating temperature range is between -20° C and 45° C ambient
- Only to apply in dry or damp locations and most of open fixtures with lamp-holders that offer sufficient space (10 mm free air space)
- Not intended for use with emergency light fixtures or exit lights

### Product data

General Information		Correlated Color Temperature (Nom)	
Cap-Base	GU5.3		2700 K
Nominal lifetime	25,000 hour(s)	Luminous Efficacy (rated) (Nom)	77.00 lm/W
Switching Cycle	50,000	Color Consistency	<6
Lighting Technology	LED	Color rendering index (CRI)	90
Flux measurement reference	Narrow Cone	LLMF At End Of Nominal Lifetime (Nom)	70 %
		Luminous Flux in 90° Cone (Rated)	450 lm
		Photobiological safety according to EN 62471	RG1
Light Technical		Operating and Electrical	
Color Code	927 [CCT of 2700K]	Line Frequency	- Hz
Beam Angle (Nom)	60 degree(s)	Input Frequency	- Hz
Luminous Flux	450 lm	Power Consumption	5.8 W
Luminous Intensity (Nom)	600 cd	Lamp Current (Nom)	510 mA
Color Designation	Warm White (WW)		

# MASTER VALUE LEDspot LV

Wattage Equivalent	35 W
Starting Time (Nom)	0.5 s
Warm-up time to 60% light	0.5 s
Power Factor (Fraction)	0.7
Voltage (Nom)	ac electronic 12 V

## Temperature

T-Case Maximum (Nom)	85 °C
----------------------	-------

## Controls and Dimming

Dimmable	Only with specific dimmers
----------	----------------------------

## Mechanical and Housing

Bulb Shape	MR16
Net Weight (Piece)	0.045 kg

## Approval and Application

Energy Efficiency Class	G
Suitable For Accent Lighting	Yes
Energy Consumption kWh/1000 h	6 kWh
EPREL Registration Number	453176

CE mark	Yes
EU RoHS compliant	Yes
EyeComfort	Yes

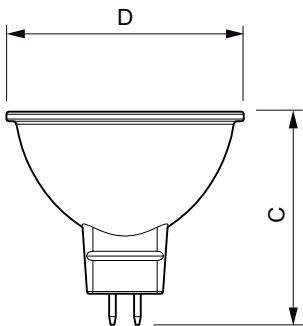
## Application Conditions

can it be used in closed luminaires	No
-------------------------------------	----

## Product Data

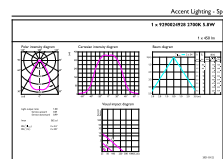
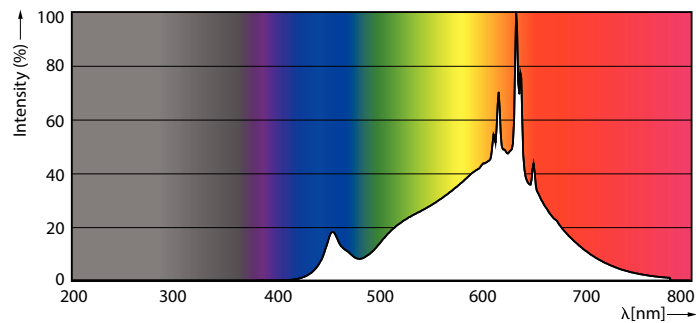
Order product name	MAS LED spot VLE D 5.8-35W MR16 927 60D
Full product name	MAS LED spot VLE D 5.8-35W MR16 927 60D
Full product code	871951430724700
Order code	929002492802
Material Nr. (12NC)	929002492802
Numerator - Quantity Per Pack	1
EAN/UPC - Product/Case	8719514307247
Numerator - Packs per outer box	10
EAN/UPC - Case	8719514307254

## Dimensional drawing



Product	D	C
MAS LED spot VLE D 5.8-35W MR16 927 60D	50.5 mm	45.5 mm

## Photometric data

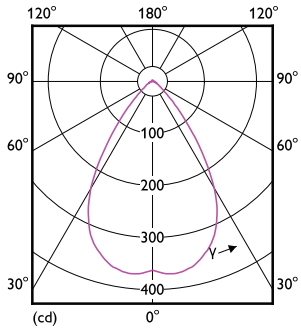


Spectral Power Distribution Colour - MAS LED spot VLE D 5.8-35W MR16 927 60D

Accent Lighting Spots - MAS LED spot VLE D 5.8-35W MR16 927 60D

# MASTER VALUE LEDspot LV

## Photometric data



Light Distribution Diagram - MAS LED spot VLE D 5.8-35W MR16 927 60D

## Lifetime



Life Expectancy Diagram



Lumen Maintenance Diagram - MAS LED spot VLE D 5.8-35W MR16 927 60D

