

## PHE3S 20 S ZK (767 724)

- Transport case included



Figure without obligation

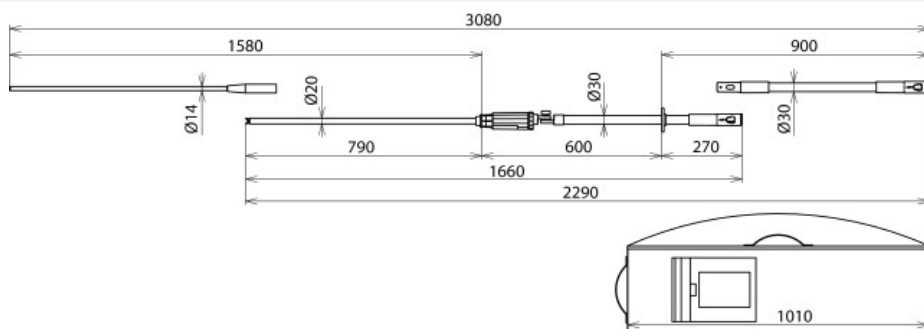


Figure without obligation

Type	PHE3S 20 S ZK
Part No.	767 724
Nominal voltage ( $U_N$ )	20 kV
Type of voltage	a.c.
Frequency	50 Hz
Category	S
Total length ( $l_{G \max}$ )	3080 mm
Insertion depth ( $l_{O \max}$ )	1580 mm
Standard (indicator with test prod)	EN/IEC 61243-1 (DIN VDE 0682-411)
Standard (universal gear coupling)	EN/IEC 60832 (DIN VDE 0682-211)
Temperature range	-25 °C ... +55 °C, climatic category N
Design	Complete
For use at	
For	Indoor and outdoor installations
Application	Switchgear installations and overhead lines
Design	Single-pole
Indication	Acoustic and visual
Self-testing element	Yes
Material (test electrode)	Copper alloy/gal Sn
Material (test prod)	Glass-fibre reinforced epoxy resin tube
Material (indicator)	Plastic, fully insulated
Material (insulating stick)	Glass-fibre reinforced polyester tube
Weight	4,22 kg
Customs tariff number	90303370
GTIN	4013364125902
PU	1 Stk

We reserve the right to introduce changes in performance, configuration and technology, dimensions, weights and materials in the course of technical progress. The figures are shown without obligation.