

WOJP05888

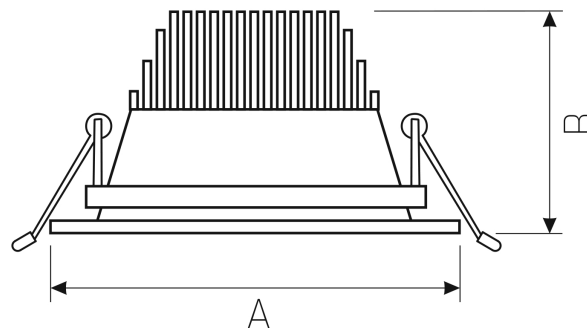
WOJP05888



Power	19 W	Voltage	230 V
Colour temperature	4000 K	Colour of light	Neutral white
Beam angle	15 °	Degree of protection (IP)	IP20


Technical data

Code	WQJP05888
Power	19 W
Nominal current	90.9 mA
Voltage	230 V
Energy consumption	19 kWh/1000h
Frequency	50HZ Hz
Protection class	II
Power supply included	+
Manufacturer of power supply	TCI
Power factor	0.93
Useful luminous flux*	2470 lm (360°)
Luminous flux**	1900 lm (360°)
Lamp efficacy	130 lm/W
Colour temperature	4000 K
Colour of light	Neutral white
Beam angle	15 °
RA	90
Light source included	+
Producer of LED diodes	CREE
Uniformity of color SDCM max	3
Dimmable	OPC
Working temperature range	-20/+40 °
Lifespan	50000 h
Housing material	Aluminum
Degree of protection (IP)	IP20
Colour	Black
Dimension (AxBxC)	180x130 mm
Mounting hole	Ø145 mm
For use	Inside
Assembly method	Recessed
Application	Inside
Made in	PL



Related documents



 Photometric file