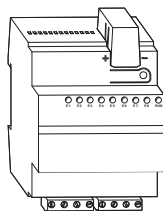


SpaceLogic KNX Binary input REG-K/8x230

Operating instructions



Art. no. MTN644692

For your safety

⚠️ DANGER

HAZARD OF ELECTRIC SHOCK, EXPLOSION, OR ARC FLASH

Safe electrical installation must be carried out only by skilled professionals. Skilled professionals must prove profound knowledge in the following areas:

- Connecting to installation networks
- Connecting several electrical devices
- Laying electric cables
- Connecting and establishing KNX networks
- Safety standards, local wiring rules and regulations

Failure to follow these instructions will result in death or serious injury.

⚠️ CAUTION

The device may be damaged!

- The internal device connection of the potentials is not suitable for carrying load currents.
- Only operate the device according to the specifications stated in the Technical data.
- All the devices that are installed next to the binary input must be equipped with basic insulation at the very least.

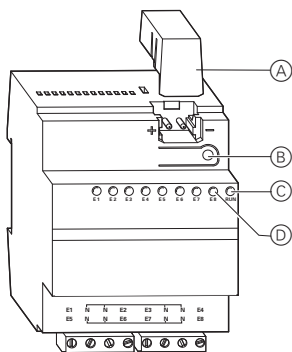
Failure to follow these instruction can result in equipment damage.

Binary input introduction

The binary input REG-K/8x230 is used to connect eight conventional 230 V devices (e.g. movement detectors, light-sensitive switches) to the bus system.

The binary input has a bus coupler. It is installed on a DIN rail acc. to EN 60715, with the bus connection made via a bus connecting terminal. A data rail is not required.

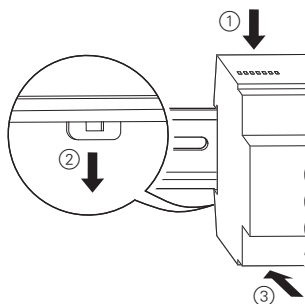
Operating and display elements



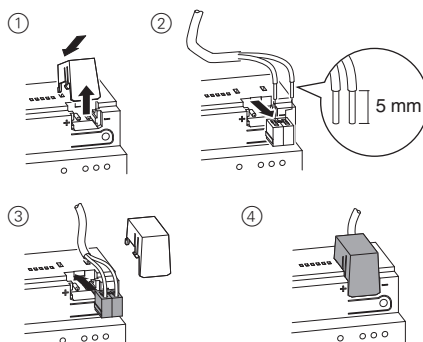
- (A) Cover of the bus connecting terminal
- (B) Programming button/programming LED
- (C) Operational LED
- (D) Channel status LEDs

Installing the binary input

- ① Set the binary input onto the DIN rail.



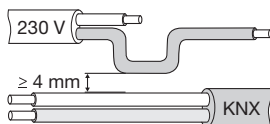
- ② Connect KNX.



⚠️ WARNING

Risk of fatal injury from electrical current. The device could be damaged.

Safety clearance must be guaranteed in accordance with IEC 60664-1. There must be at least 4 mm between the individual cores of the 230 V supply cable and the KNX line.

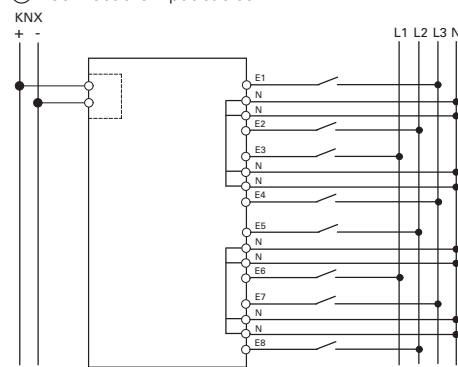


⚠️ CAUTION

The device could be damaged.

High voltages can cause damage. Never connect devices with more than 230 V.

- ③ Connect the input cables.



i The N conductors must be connected to the device. Inputs E1 to E4 have a common potential (4 x N, top row) and inputs E5 to E8 have a common potential (4 x N, bottom row). Inputs E1 to E4 and E5 to E8 can be assigned to each other with different phases.

Putting the binary input into operation

- ① Press the programming button. The programming LED lights up.
- ② Load the physical address and the application into the device from the ETS. The operating LED lights up: The application was loaded successfully, the device is ready for operation.

Technical data

Power supply from bus:	DC 24 V / max. 18 mA
Insulation voltage:	AC 4 kV bus/inputs
Inputs	
Nominal voltage:	AC 230 V ± 10 %, 50/60 Hz
0 signal:	<40 V
1 signal:	>160 V
Nominal current:	AC approx. 7 mA
Permitted cable length:	max. 100 m/channel
Ambient temperature	
Operation:	-5 °C to +45 °C
Storage:	-25 °C to +55 °C
Transport:	-25 °C to +70 °C
Max. humidity:	93 % relative humidity, no moisture condensation
Environment:	The device is designed for use at a height of up to 2000 m above sea level (MSL).

Connections	
Inputs, outputs:	Screw terminals
Single-core:	1.5 mm ² to 2.5 mm ²
Finely stranded (with core end sleeve):	1.5 mm ² to 2.5 mm ²
Bus:	Bus connecting terminal
Dimensions	
Height x width x depth:	90 x 72 x 65 mm
Device width:	4 modules

Schneider Electric -Contact

Schneider Electric Industries SAS
35 rue Joseph Monier
Rueil Malmaison 92500
France

If you have technical questions, please contact the Customer Care Centre in your country.
se.com/contact

UK CA UK Representative
Schneider Electric Limited
Stafford Park 5
Telford, TF3 3 BL, UK