

Presence / Motion detectors  
P41/P42/P46/P47/P48/P49/M41/M42/M46/M48/M49 MR/LR/HC



4 year warranty

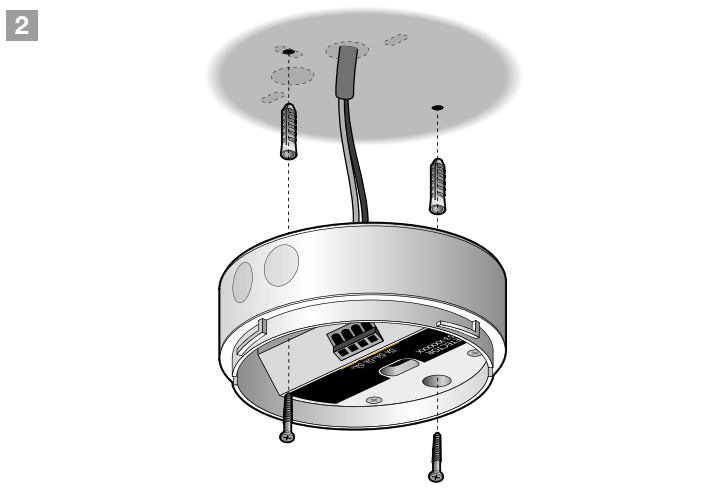
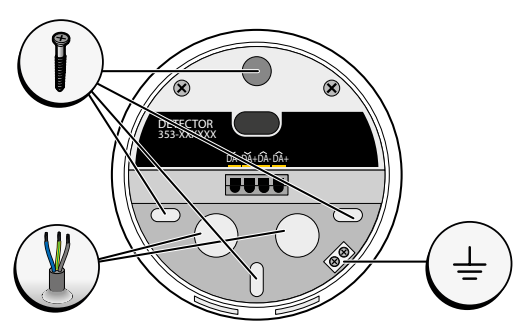
353-602021	353-652321	353-702111	353-752421	353-852011
353-602111	353-652421	353-702121	353-752521	353-852411
353-602121	353-652521	353-702221	353-752621	353-852511
353-602221	353-652621	353-752021	353-802011	353-852611
353-652021	353-702021	353-752321	353-802111	

- EN** P41/P42/P46/P47/P48/P49/M41/M42/M46/M48/M49 MR/LR/HC, 360°, for surface mounting
- NL** P41/P42/P46/P47/P48/P49/M41/M42/M46/M48/M49 MR/LR/HC, 360°, voor opbouw
- FR** P41/P42/P46/P47/P48/P49/M41/M42/M46/M48/M49 MR/LR/HC, 360°, pour montage en saillie
- DE** P41/P42/P46/P47/P48/P49/M41/M42/M46/M48/M49 MR/LR/HC, 360°, für Aufputz
- DK** P41/P42/P46/P47/P48/P49/M41/M42/M46/M48/M49 MR/LR/HC, 360°, påbygget
- SE** P41/P42/P46/P47/P48/P49/M41/M42/M46/M48/M49 MR/LR/HC, 360°, för utanpåliggande montering
- NO** P41/P42/P46/P47/P48/P49/M41/M42/M46/M48/M49 MR/LR/HC, 360°, til utenpåliggende montering
- IT** P41/P42/P46/P47/P48/P49/M41/M42/M46/M48/M49 MR/LR/HC, 360°, per montaggio a parete
- PL** P41/P42/P46/P47/P48/P49/M41/M42/M46/M48/M49 MR/LR/HC, 360°, do montażu natynkowego
- SK** P41/P42/P46/P47/P48/P49/M41/M42/M46/M48/M49 MR/LR/HC, 360°, na povrchovú montáž

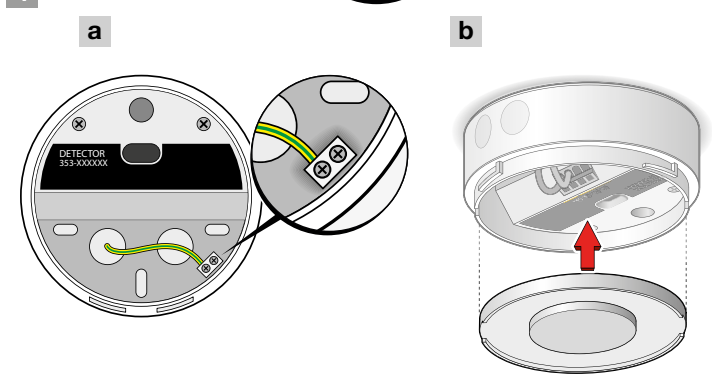
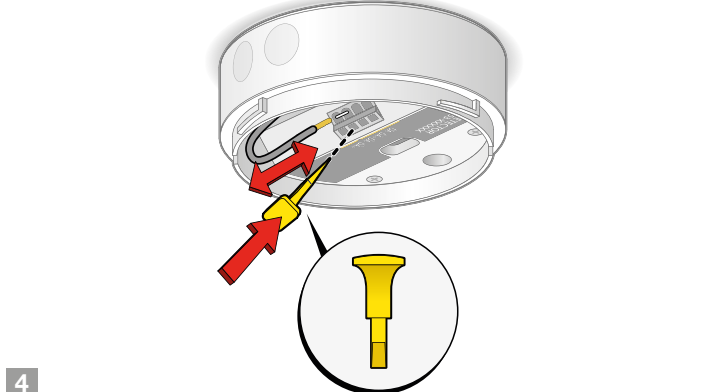
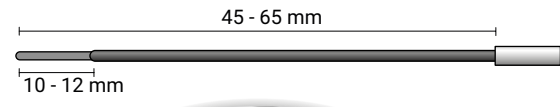
## Installation

Instalatie / Installation / Installation / Installation / Installation / Installasjon / Installazione / Instalacja / Inštalácia

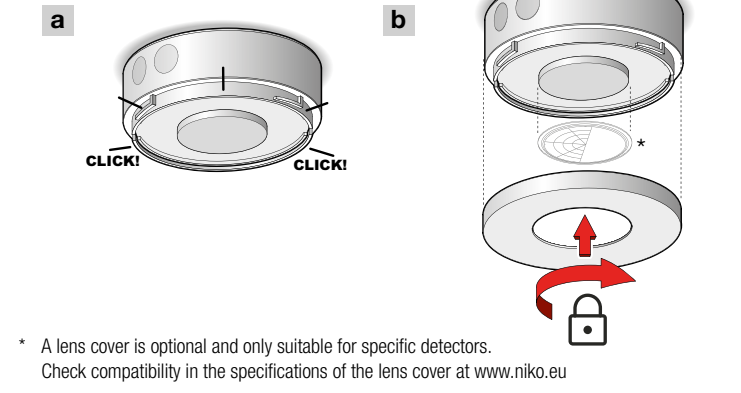
**1** **230 V – OFF / DALI power – OFF**



**3** **230 V – OFF / DALI power – OFF**



## 5

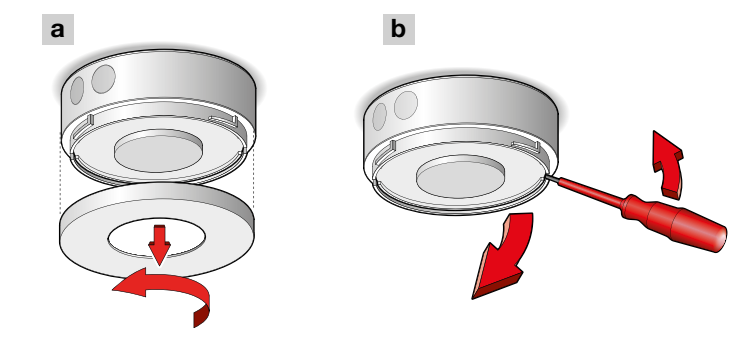


\* A lens cover is optional and only suitable for specific detectors. Check compatibility in the specifications of the lens cover at [www.niko.eu](http://www.niko.eu)

## Dismantling

Demontage / Démontage / Demontage / Demontering / Demontera / Demontering / Smontaggio / Odmontowanie / Demontáž

**1** **230 V – OFF / DALI power – OFF**



## Wiring

Aansluitschema / Schéma de raccordement / Verdrahtung / Tilslutningsskema / Kopplingschema / Ledningstilkopling / Cablaggio / Okablowanie / Inštalácia

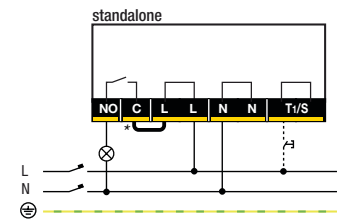
This product must be secured with a miniature circuit breaker (MCB) of max. 16 A in the electrical cabinet. The MCB rating is limited by national installation rules.

## 230 V detectors

### Standalone

**1** **230 V – OFF**

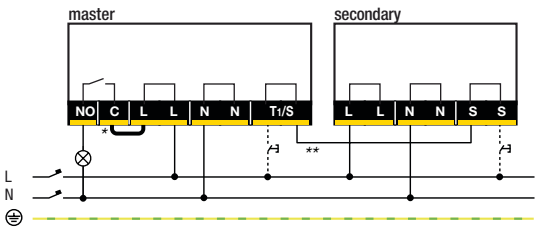
353-602111, 353-602121, 353-602221, 353-702111, 353-702121, 353-702221 or 353-802111 acts as standalone detector in the following configuration:



\* Remove if you want to use the contact as a dry contact (potential-free).

## Master – secondary

**1** **230 V – OFF**  
353-602121, 353-702121 or 353-802111 acts as master detector in the following configuration:

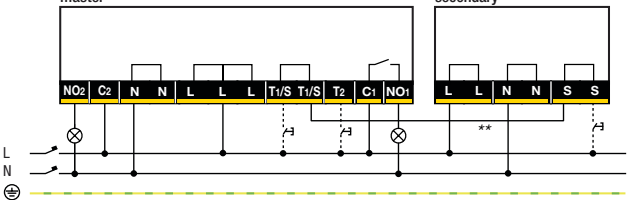


Compatible secondary detectors (surface mounting): 353-602021, 353-702021, 353-802011. For all compatible articles, see [www.niko.eu](http://www.niko.eu)

\* Remove if you want to use the contact as a dry contact (potential-free).

\*\* A wired connection between the master and secondary detector is optional. Choose either the wired connection or communication via Bluetooth®.

353-602221 or 353-702221 acts as master detector in the following configuration:



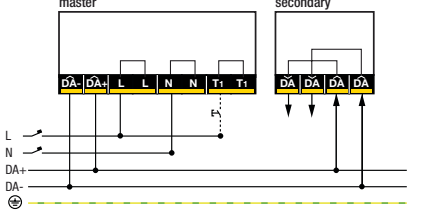
Compatible secondary detectors (surface mounting): 353-602021, 353-802011. For all compatible articles, see [www.niko.eu](http://www.niko.eu)

\*\* A wired connection between the master and secondary detector is optional. Choose either the wired connection or communication via Bluetooth®.

## DALI detectors

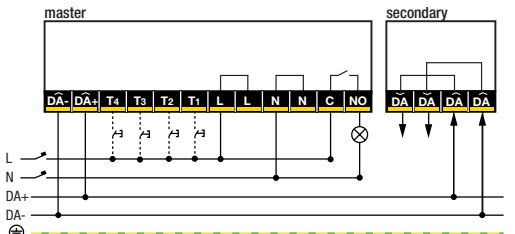
### Master – secondary

**1** **230 V – OFF / DALI power – OFF**  
353-652321 or 353-752321 acts as master detector in the following configuration:



Compatible secondary detectors (surface mounting): 353-652021, 353-652621, 353-752021, 353-752621, 353-852011, 353-852611. For all compatible articles, see [www.niko.eu](http://www.niko.eu)

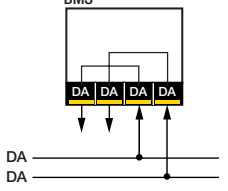
353-652421, 353-752421 or 353-852411 acts as master detector in the following configuration:



Compatible secondary detectors (surface mounting): 353-652021, 353-652621, 353-752021, 353-752621, 353-852011, 353-852611. For all compatible articles, see [www.niko.eu](http://www.niko.eu)

## BMS

**1** **DALI power – OFF**  
353-652521, 353-752521 or 353-852511 acts as BMS detector in the following configuration:



**ATTENTION !**

Do not separate the sensor and actor part! Both parts must have the same MAC address!

MAC:10:B9:F7:10:01:17	MAC:10:B9:F7:0F:83:13	MAC:10:B9:F7:0F:6D:37
MAC:10:B9:F7:10:01:17	MAC:10:B9:F7:0F:6D:37	MAC:10:B9:F7:10:6D:19



