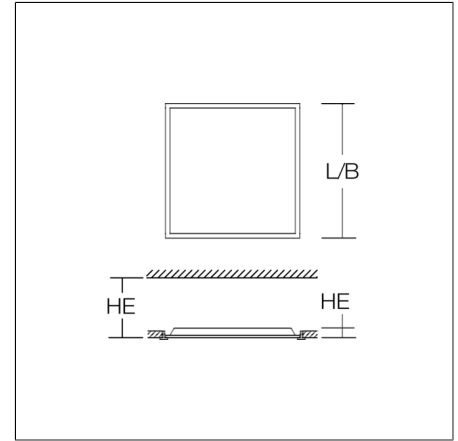




Lay-in luminaires
4068754004343
L 620, B 620

Lay-in luminaires
white



Lay-in luminaire for ceiling systems with visible mounting rails. Housing: sheet steel, powder-coated. Luminaire frame: aluminium, powder-coated. Diffuser made of non-yellowing plastic (PMMA) microprismatic. LED backlight technology for homogeneous illumination of the entire light-emitting surface. CRI >90 for the most realistic possible perception of colours of surroundings, objects and people. External driver. MultiLumen: 4 steps adjustable luminous flux. Factory setting is step 2. Perfect for office areas (UGR ≤ 19) and environments with computer screens in accordance with EN 12464-1.

Product specifications

Length L	620 mm
Width B	620 mm
Luminaire: recess height HEL	30 mm
Installation space length LE	625 mm
Installation space width BE	625 mm
Installation space height HE	160 mm
Weight	2.2 kg
Light source	LED
Colour temperature	4000 K
Rated luminous flux	3200 lm 3800 lm 4400 lm 4900 lm
System power	20 W 24 W 28 W 32 W
System efficiency	153 lm/W 157 lm/W 158 lm/W 160 lm/W
Glare evaluation UGR (4H 8H)	17,4 18 18,5 18,9
Beam angle	91°/89°
Rated life	50000 h (L80/B10)
Colour rendering index (CRI)	90
Colour tolerance	4
Photobiological safety according to EN 62471	Risk group 1
Driver	Converter, dimmable
Control	DALI
Voltage	220 - 240 V / 50 Hz, 60 Hz
Luminaires on B10A fuse	18
Luminaires on B16A fuse	28
Luminaires on C10A fuse	27
Luminaires on C16A fuse	42
Inrush current / Inrush current duration	30 A / 100 µs
CIE Flux Code / CEN Flux Code	61 88 97 100 100
Type of protection	IP 40 on room side IP 20
Protection class	II
Filament test	650 °C
Impact resistance	IK03
Ambient temperature	-10 °C ... + 35 °C
Safety marks	Do not cover the recessed luminaire!
Conformity mark	CE

KALEEA

312781.002.1.76 | Recessed luminaires

Accessories



982728.002
Surface mounting frame



982703.002
Through-wiring box



982958.002
Mounting frame for installation in suspended ceilings.