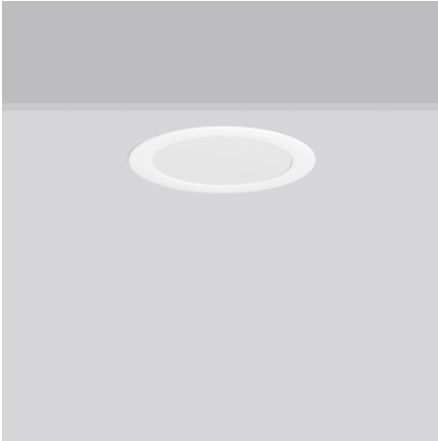


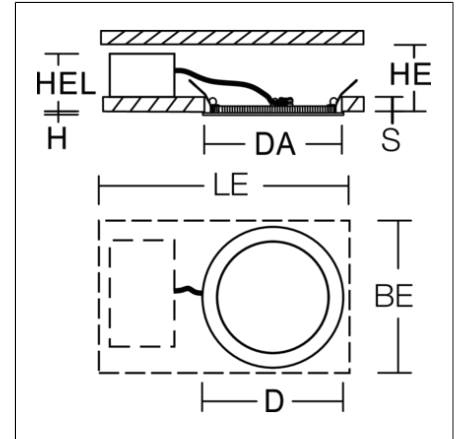
# TOLEDO FLAT round

672224.002.1 | Combined luminaires for escape route illumination



Recessed downlights  
4051859175063  
D 255, H 3

Recessed ceiling mounting  
white



Ultra thin recessed downlight. For escape route illumination. Housing: die-cast aluminium, powder-coated. Lightguide and diffuser made of non-yellowing plastic (PMMA). Diffuser opal matt plastic. Ceiling installation with spring system. Including separate LED converter with connecting cable 250 mm. Self-contained system with automatic self-test. External driver with simple plug-in locking system.

## Product specifications

Typ of emergency lighting	Self-contained system
Monitoring	Autotest
Battery	NiMh
Duration	3 h
Operating mode	maintained power mode
Diameter D	255 mm
Height H	3 mm
Cut-out diameter DA	234 mm
Installation space height HE	100 mm
Luminaire: recess height HEL	60-80 mm
Ceiling thickness S	1-20 mm
Weight	1.76 kg
Light source	LED
Colour temperature	4000 K
Rated luminous flux, mains operation	1800 lm
System power, mains operation	17 W
Rated luminous flux, emergency operation	460 lm
System efficiency	106 lm/W
Glare evaluation UGR (4H 8H)	26,8
Beam angle	109°
Colour rendering index (CRI)	80
Photobiological safety according to EN 62471	Risk group 0
Driver	Converter
Control	on/off
Voltage	100 - 240 V / 50 - 60 Hz
Luminaires on B10A fuse	36
Luminaires on B16A fuse	58
Luminaires on C10A fuse	61
Luminaires on C16A fuse	97
Inrush current / Inrush current duration	0.12 A / 100 µs
CIE Flux Code / CEN Flux Code	48 79 96 100 100
Type of protection	IP 54 on room side IP 20
Protection class	I
Impact resistance	IK03
Ambient temperature for maintained power	0 °C ... + 35 °C
Ambient temperature for non-maintained power mode	0 °C ... + 35 °C
Conformity mark	CE, EAC, UKCA