



# CorePro LEDspot MV



## LEDspot GU10 50W 830 36D 6CT

CorePro LEDspots are a perfect fit for spot lighting and deliver warm halogen-like light. These GU10 LED spot lights are compatible with most existing fixtures with a GU10 LED base and are designed as a retrofit replacement for halogen or incandescent spots. CorePro LEDspots deliver significant energy savings and minimize maintenance costs.

### Product data

General Information		Input Frequency	
Cap-Base	GU10	Input Frequency	50 to 60 Hz
Nominal lifetime	15,000 hour(s)	Power Consumption	4.7 W
Switching Cycle	15,000	Lamp Current (Nom)	38 mA
Lighting Technology	LED	Wattage Equivalent	50 W
		Starting Time (Nom)	0.5 s
		Warm-up time to 60% light	0.5 s
Light Technical		Power Factor (Fraction)	0.5
Color Code	830 [CCT of 3000K]	Voltage (Nom)	220-240 V
Beam Angle (Nom)	36 degree(s)		
Luminous Flux	345 lm	Temperature	
Luminous Intensity (Nom)	700 cd	T-Case Maximum (Nom)	75 °C
Color Designation	White (WH)		
Correlated Color Temperature (Nom)	3000 K	Controls and Dimming	
Luminous Efficacy (rated) (Nom)	73.00 lm/W	Dimmable	No
Color Consistency	<6		
Color rendering index (CRI)	80	Mechanical and Housing	
LLMF At End Of Nominal Lifetime (Nom)	70 %	Bulb Shape	PAR16
Luminous Flux in 90° Cone (Rated)	345 lm	Net Weight (Piece)	0.027 kg
Photobiological safety according to EN 62471	RG1		
Operating and Electrical		Approval and Application	
Line Frequency	50 to 60 Hz	Energy Efficiency Class	F
		Suitable For Accent Lighting	Yes

# CorePro LEDspot MV

Energy Consumption kWh/1000 h	5 kWh
EPREL Registration Number	713684
EU RoHS compliant	Yes
EyeComfort	Yes
Flickering value (PstLM) - Flickering value as per EN 61000-3-3	1
Stroboscopic effect visibility measure (SVM)	0.4

## Application Conditions

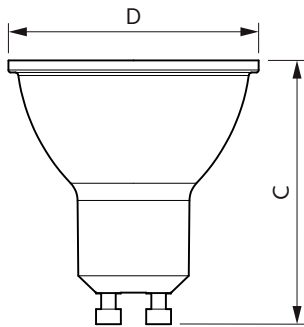
can it be used in closed luminaires	No
-------------------------------------	----

## Product Data

Order product name	LEDspot GU10 50W 830 36D 6CT
--------------------	------------------------------

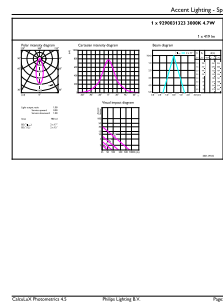
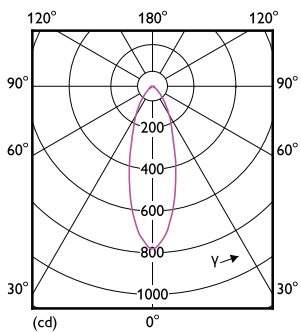
Full product name	LEDspot GU10 50W 830 36D 6CT
Full product code	871951442063200
Order code	929003132390
Material Nr. (12NC)	929003132390
Numerator - Quantity Per Pack	6
EAN/UPC - Product/Case	8719514420632
Numerator - Packs per outer box	6
EAN/UPC - Case	8719514420649

## Dimensional drawing



Product	D	C
LEDspot GU10 50W 830 36D 6CT	50 mm	54 mm

## Photometric data

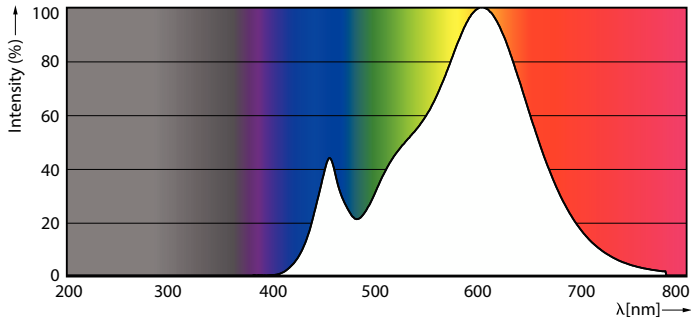


Light Distribution Diagram - LEDspot GU10 50W 830 36D 6CT

Accent Lighting Spots - LEDspot GU10 50W 830 36D 6CT

# CorePro LEDspot MV

## Photometric data

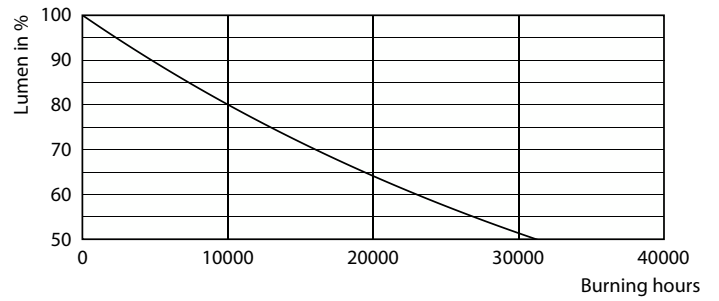


Spectral Power Distribution Colour - LEDspot GU10 50W 830 36D 6CT

## Lifetime



Life Expectancy Diagram



Lumen Maintenance Diagram - LEDspot GU10 50W 830 36D 6CT

