

# Product Data Sheet

## GW66389

68 ACS Range



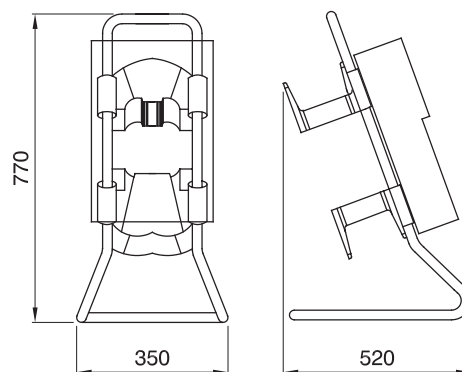
Mobile, transportable terminal boards Type COMBIBLOC are especially suitable for powering mobile tools and equipment. Each board comes with COMBIBLOC interlocked socket-outlets and floor mounting support to make extremely easy to move the board around the construction site.

Type	COMBIBLOC ACS	board type	Wired
Outer dim. LxHxD (mm)	320x360x95	Weight (kg)	11
Accordance with Standards	EN 61439-4 (ACS)	Characteristics	UV resistance (EN 62208)
IP degree	IP55	Mechanical resistance	IK08
Glow wire test	650 °C	Thermo-pressure with ball	80 °C
Insulation class	II	Power supply	Mobile plug
No. of poles	3P+N+E	MCB'S MT main RCCB	RCCB 40A 4P 0,03A - AC type
Circuits protection	MCB	Socket-outlet 2P+E 16A - IB	1
Socket-outlet 3P+N+E 16A - IB	1	Socket-outlet 3P+N+E 32A - IB	1
Cable length	5 m	Accessories supplied	Floor mounting support
Electrocod	139		

### BEHAVIOUR WITH CHEMICAL AND ATMOSPHERIC AGENTS

Saline solution	Acids		Bases		Solvents				Mineral oil	UV rays
	Concentrated	Diluted	Concentrated	Diluted	Hexane	Benzol	Acetone	Alcohol		
Limited resistance	Not resistant	Limited resistance	Limited resistance	Resistant	Resistant	Resistant	Resistant	Resistant	Resistant	Resistant

### DIMENSIONAL



### TECHNICAL SYMBOLOGY



EN 61439-4 (ACS)



UV resistance (EN 62208)

IP

IP55

IK

IK08

GWT

650 °C



80 °C



II

### STANDARDS/APPROVALS



GEWISS S.p.A. Via A. Volta, 1  
24069 Cenate Sotto - Bergamo - Italy  
tel. +39 035 94 61 11 fax +39 035 94 69 09

www.gewiss.com  
sat@gewiss.com  
Last update 20/04/2023

Data, measures, designs and pictures are shown only as informative purposes, and could be changed without previous notice