

63501020	DATA SHEET
Valid from: 17.09.2018	Panel connectors with latch

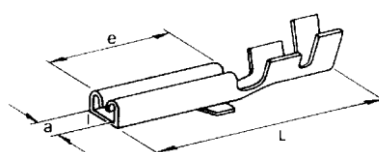
Non-insulated Panel connector with latch – male and female – for top connection by simply procedure.

Application: Automotive industry, electrical devices

Features: The connector allowed a fast, simply and safety assembling and disassembling

Panel connectors with latch, Type F
(for Panel connector sockets)

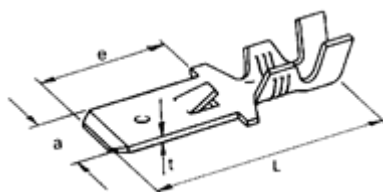
Material: Brass, blank



Part No.	Description	Wire cross-section mm ²	Blade connector mm	a mm	e mm	L mm	Thickness mm
6350 1010	B 638 F	1,0 – 2,5	6,3 x 0,8	7,6	7,7	19,2	0,35

Panel connector with latch, Type M
(for Panel connector sockets)

Material: Messing, blank

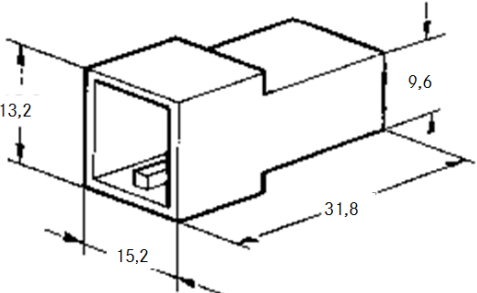
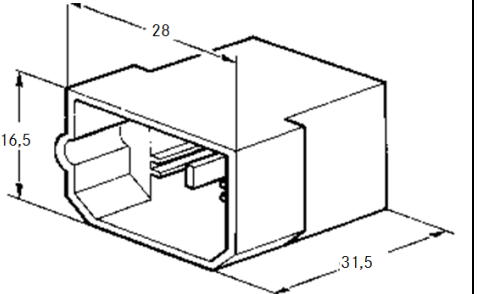
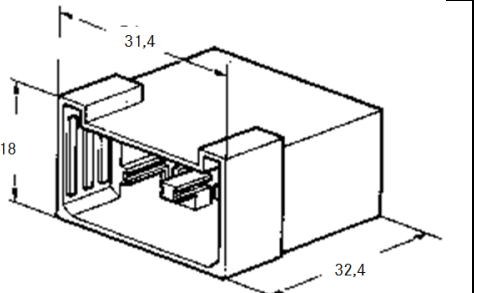
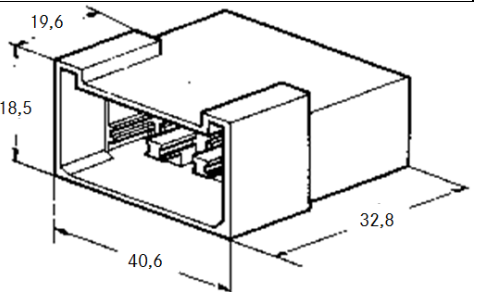


Part No.	Description	Wire cross-section mm ²	Blade connector mm	a mm	e mm	L mm	Thickness mm
6350 1020	BM 638 M	1,0 – 2,0	6,3 x 0,8	6,3	15	28	0,35

63501020	DATA SHEET
Valid from: 17.09.2018	Panel connectors with latch

Panel connector socket for Panel connectors Type M

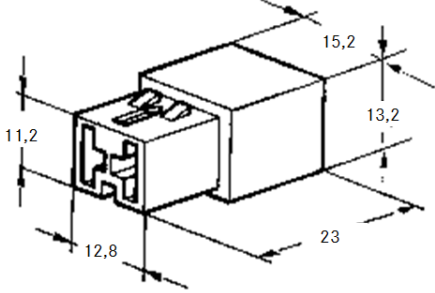
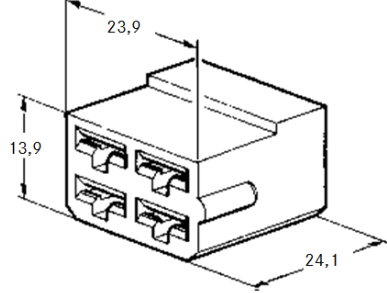
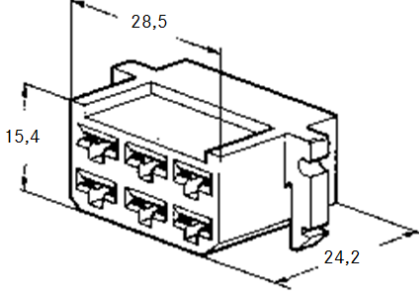
Material: Polyamide

Part No.	Description	Number of pins	Product picture
6330 0100	408 - 2M	2	
6330 0110	408 - 4M	4	
6330 0120	408 - 6M	6	
6330 0130	408 - 8M	8	

63501020	DATA SHEET
Valid from: 17.09.2018	Panel connectors with latch

Panel connector socket for Panel connectors Type F

Material: Polyamide

Part No.	Description	Number of pins	Product picture
6330 0140	408 - 2F	2	
6330 0150	408 - 4F	4	
6330 0160	408 - 6F	6	
6330 0170	408 - 8F	8	