



ELIA FL Mini is a low-power LED floodlight for indoor and outdoor architectural lighting for both residential and professional applications, such as façades, gardens, green areas and walkways. Available in 2 sizes and 3 power steps (10 W, 20 W and 30 W), the range allows for great flexibility with its multiple possible combinations: 2 colour temperature options (3,000 K warm white and 4,000 K neutral white) with a colour rendering index of more than 80, and 2 optics options (100° or asymmetrical). The fixture is equipped with an integrated On/Off electronic power supply, and it is also available with an integrated motion and luminosity sensor. The luminaire can be ceiling, wall or floor-mounted through the integrated adjustable steel bracket, and thanks to its black powder-coated die-cast aluminium body and its front glass, it is tough, durable and able to withstand harsh environmental conditions.

#### GENERAL INFORMATION

Context	Residential facades, outdoor areas and garden lighting
Luminaire	Low-power LED floodlight
Application	Indoor / Outdoor
Unique digital code (Datamatrix)	Currently not present
Colour	Black
Type of light source	LED
System power	30 W
LED Lifetime	L80B50 (Tq=25°C) > 90.000 h
Weight (kg)	0.9

Warranty	5 years
Stocking temperature	-40° +80°
Operating temperature	-30° +50°

#### MATERIALS

Body	Die-cast aluminium -
Shield type	Tempered 4mm-thick surface glass with Gewiss logo

Optic	High-efficiency lens and reflector unit
Gasket	-
Locking Hook	-
External screw	Stainless steel
Colour	Powder coating

#### STANDARDS AND APPROVALS

Classification	-
Device with reduced surface temperature	-
DIN 18032-3 certification	-
IPEA	Green Areas A5+
Insulation class	I
IP degree	IP66
Mechanical resistance	IK08
Glow Wire Test	750 °C

#### OPTIC AND ILLUMINATING FEATURES

Optic	100°
Unified Glare Rating	ULOR = 0%
Lumen output (lm)	3900
Efficacy (lm/W)	130
Colour temperature	3000 K
Colour Rendering Index	CRI 80
Standard Deviation Colour Matching	SDCM = 5
Photobiological Risk Class	RG1
Standard	EN 60598-1; EN 60598-2-5; IEC/TR 62778; EN 62493

#### ELETRICAL AND LIGHTING FEATURES

Supply voltage	220-240 V
Rated frequency (Hz)	50/60 Hz
Driver	Built-in
Driver failure rate	F10 (Tq=25°C) > 80.000 h
Overvoltage protection	DM 1KV / CM 2KV

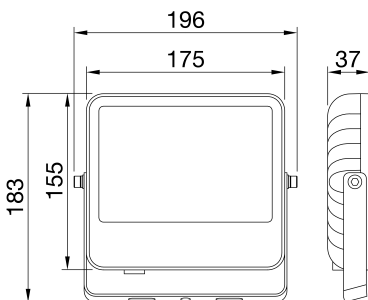
#### CONTROL SYSTEM

Control System	ON / OFF
----------------	----------

#### INSTALLATION AND MAINTENANCE

Mounting and installation	Ceiling - Wall - Floor
Tilt	Rotation on bracket
Wiring	With power cable
Fixing	Via integrated bracket
Light source replaceability	Non-replaceable
Controlgear replaceability	Non-replaceable
Driver Box	Built-in
Maximum surface exposed to the wind	0,03 m2

### DIMENSIONAL



### PHOTOMETRIC DISTRIBUTION

### TECHNICAL SYMBOLOGY





Product Data Sheet  
**GWF1100CL830**

ELIA FL Mini

STANDARDS/APPROVALS

