



CorePro LEDspot LV

CorePro LED spot ND 2.9-20W MR16 827 36D

CorePro LEDspots are a perfect fit for spot lighting and deliver warm halogen-like light. They are compatible with most existing fixtures with MR16 GU5.3 holders and are designed as a retrofit replacement for halogen or incandescent spots. CorePro LEDspots deliver huge energy savings and minimize maintenance cost.

Product data

General Information	
Cap-Base	GU5.3 [GU5.3]
Nominal lifetime	15,000 hour(s)
Switching Cycle	50,000
Lighting Technology	LED
Flux measurement reference	Narrow Cone
Light Technical	
Color Code	827 [CCT of 2700K]
Beam Angle (Nom)	36 degree(s)
Luminous Flux	230 lumen
Luminous Intensity (Nom)	560 cd
Color Designation	Warm White (WW)
Correlated Color Temperature (Nom)	2700 K
Luminous Efficacy (rated) (Nom)	79.00 lm/W
Color Consistency	<6
Color rendering index (CRI)	80
LLMF At End Of Nominal Lifetime (Nom)	70 %
Luminous Flux in 90° Cone (Rated)	230 lumen
Operating and Electrical	
Line Frequency	- Hz
Input Frequency	- Hz

Power Consumption	2.9 W
Lamp Current (Nom)	340 mA
Wattage Equivalent	20 W
Starting Time (Nom)	0.5 s
Warm-up time to 60% light	0.5 s
Power Factor (Fraction)	0.6
Voltage (Nom)	ac electronic 12 V

Temperature	
T-Case Maximum (Nom)	75 °C

Controls and Dimming	
Dimmable	No

Mechanical and Housing	
Bulb Shape	MR16 [2inch/50mm]

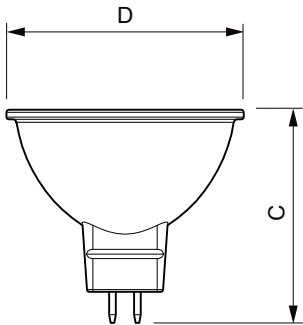
Approval and Application	
Suitable For Accent Lighting	Yes
Energy Consumption kWh/1000 h	3 kWh
EPREL Registration Number	421.456
CE mark	Yes

CorePro LEDspot LV

EU RoHS compliant	Yes
Product Data	
Full product code	871951430704900
Order product name	CorePro LED spot ND 2.9-20W MR16 827 36D
Order code	929002494502
Numerator - Quantity Per Pack	1

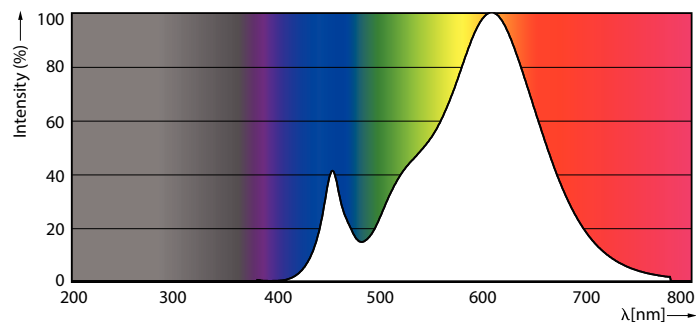
Numerator - Packs per outer box	10
Material number (12NC)	929002494502
Full product name	CorePro LED spot ND 2.9-20W MR16 827 36D
EAN/UPC - Case	8719514307056

Dimensional drawing

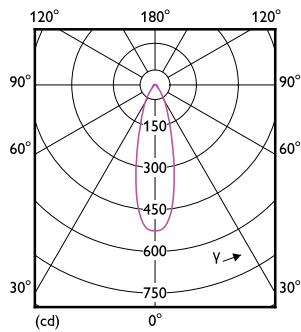


Product	D	C
CorePro LED spot ND 2.9-20W MR16 827 36D	50.5 mm	45.5 mm

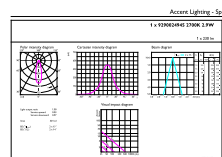
Photometric data



Spectral Power Distribution Colour - CorePro LED spot ND 2.9-20W MR16 827 36D



Light Distribution Diagram - CorePro LED spot ND 2.9-20W MR16 827 36D



CorePro LEDspot LV

Lifetime



Life Expectancy Diagram - CorePro LED spot ND 2.9-20W MR16 827 36D

Lumen Maintenance Diagram - CorePro LED spot ND 2.9-20W MR16 827 36D

