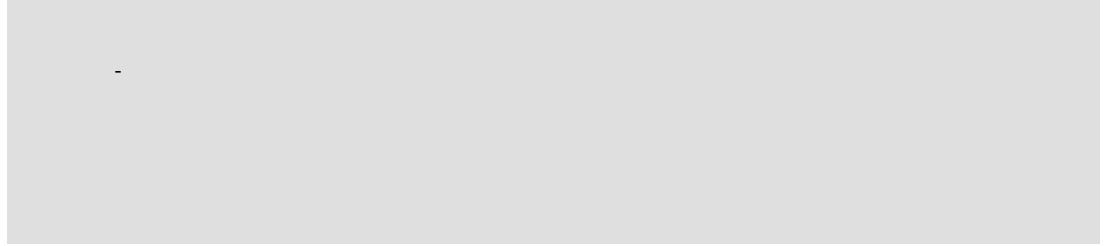
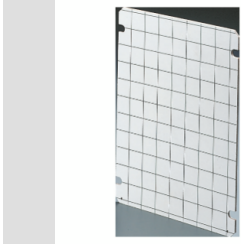


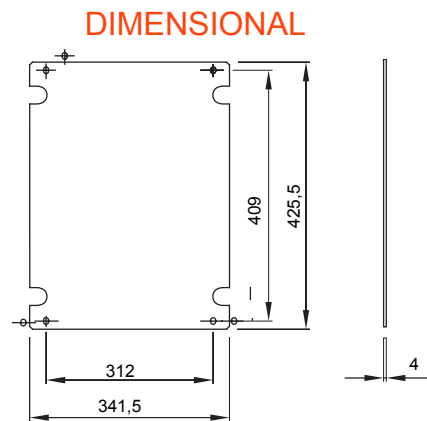
Product Data Sheet

GW44649

46 Range



| | | | |
|---------------------|------------|------------|--------|
| For boards LxH (mm) | 396x474 | For boards | 44 CEP |
| Type of material | Insulation | Electrocod | 1320 |



STANDARDS/APPROVALS

