

HVI P LO ASS RAV KF 27 V2A (819 149)

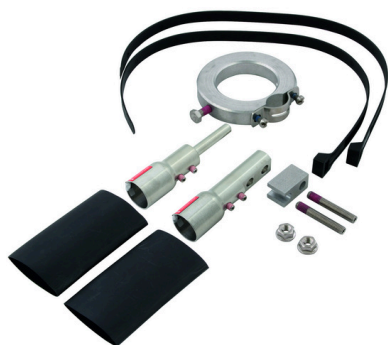
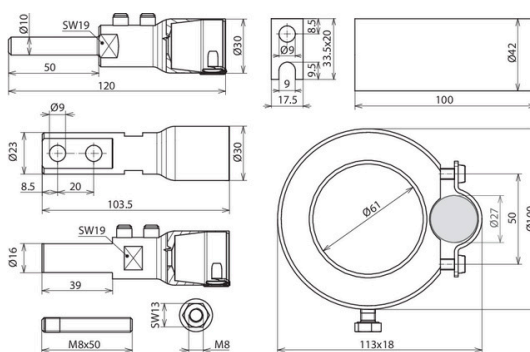


Figure without obligation



Connection kit for HVI power Conductor for installation on HVI power supporting tubes GRP / Al consisting of connection elements, threaded pins, connection part, heat-shrinkable sleeve, cable ties and fixing ring with a slotted conductor holder (Ø27 mm).

Type	HVI P LO ASS RAV KF 27 V2A
Part No.	819 149
Material	StSt
Connection	bolt Ø10 mm, L 50 mm
Outside diameter Ø	30 mm
Screw	threaded bolt M6 x 8 mm
Standard	DIN IEC/TS 62561-8 (VDE V 0185-561-8)
Weight	800 g
Customs tariff number	85389099
GTIN	4013364272057
PU	1 Stk

We reserve the right to introduce changes in performance, configuration and technology, dimensions, weights and materials in the course of technical progress. The figures are shown without obligation.