



CoreLine Recessed

RC136B 28S_34S_40S/830 PSU W60L60 NOC W3

830 warm white - Power supply unit

CoreLine recessed delivers on the CoreLine promise of innovative, easy-to-use, high-quality luminaires. The high-quality CoreLine recessed is designed to replace existing recessed luminaires with T8 or T5 technology. This family features an innovative new choice of multiple lumen outputs in one single luminaire, called MultiLumen. Instant energy savings and a longer lifetime, make this is an environmentally friendly and cost saving solution. With a quick-connector feature, our recessed luminaires are simple and easy to install. Also available within the range are Interact Ready luminaires with integrated wireless communications, fully compatible with Interact gateways, sensors and software.

Warnings and Safety

- The product is IPX0 & as such is not protected against water ingress & as such we strongly recommend that The environment in which The luminaire is to be installed is suitably checked
- If the above advice is not taken and the luminaires are subject to water ingress, Philips / Signify cannot guarantee safe failure & product warranty will become void

Product data

General Information		Connection	
Beam angle of light source	- °	Connection unit	3-pole
Light source color	830 warm white	Cable	Cord with plug Wieland/Adels compatible 3-pole
Light source replaceable	No	Protection class IEC	Safety class I
Number of gear units	1 unit	Glow-wire test	Temperature 650 °C, duration 30 s
Driver/power unit/transformer	Power supply unit	Flammability mark	For mounting on normally flammable surfaces
Driver included	Yes	CE mark	CE mark
Optic type	Beam angle 100°	ENEC mark	ENEC mark
Luminaire light beam spread	100°	Warranty period	5 years
Control interface	-		

CoreLine Recessed

Constant light output	No
Number of products on MCB of 16 A type B	35
Photobiological risk	Photobiological risk group 0 @ 200mm to EN62471
EU RoHS compliant	Yes
Service tag	No
Unified glare rating CEN	25

Light Technical

Saturated Red (R9)	<50
--------------------	-----

Operating and Electrical

Input Voltage	220 to 240 V
Input Frequency	50 or 60 Hz
Initial CLO power consumption	- W
Average CLO power consumption	- W
Inrush current	15.3 A
Inrush time	0.29 ms
Power Factor (Min)	0.9

Controls and Dimming

Dimmable	No
----------	----

Mechanical and Housing

Housing Material	Steel
Reflector material	Polycarbonate
Optic material	Polycarbonate
Optical cover/lens material	Polymethyl methacrylate
Fixation material	-
Optical cover/lens finish	Diamond
Overall length	597 mm
Overall width	597 mm
Overall height	44 mm
Color	White
Dimensions (Height x Width x Depth)	44 x 597 x 597 mm (1.7 x 23.5 x 23.5 in)

Approval and Application

Ingress protection code	IP20/44 [Finger-protected; wire-protected, splash-proof]
-------------------------	-----------------------------------------------------------

Mech. impact protection code	IK03 [0.3 J]
------------------------------	---------------

Initial Performance (IEC Compliant)

Initial luminous flux (system flux)	2800 3400 4000 lm
Luminous flux tolerance	+/-10%
Initial LED luminaire efficacy	130 lm/W
Init. Corr. Color Temperature	3000 K
Init. Color Rendering Index	>80
Initial chromaticity	(0.43, 0.40) SDCM ≤3
Initial input power	22 26 31 W
Power consumption tolerance	+/-10%

Over Time Performance (IEC Compliant)

Control gear failure rate at median useful life	5 %
50000 h	
Lumen maintenance at median useful life*	L80
50000 h	

Application Conditions

Ambient temperature range	-10 to +40 °C
Performance ambient temperature Tq	25 °C
Maximum dim level	Not applicable
Suitable for random switching	Not applicable

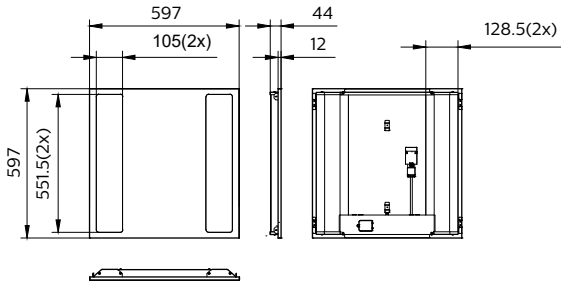
Product Data

Full product code	871951451224500
Order product name	RC136B 28S_34S_40S/830 PSU W60L60 NOC W3
EAN/UPC - Product	8719514512245
Order code	911401881081
Numerator - Quantity Per Pack	1
Numerator - Packs per outer box	1
Material Nr. (12NC)	911401881081
Net Weight (Piece)	3.600 kg



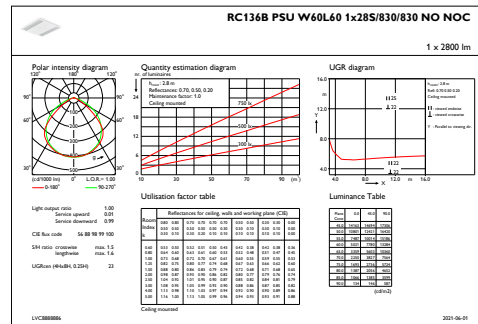
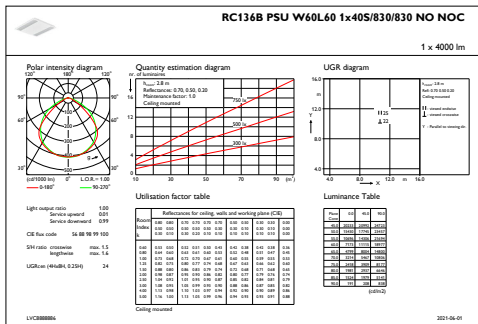
CoreLine Recessed

Dimensional drawing



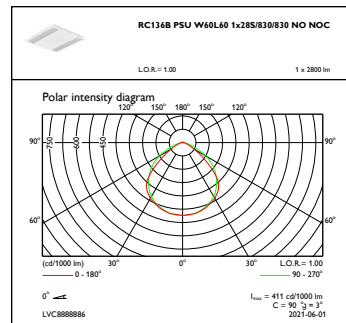
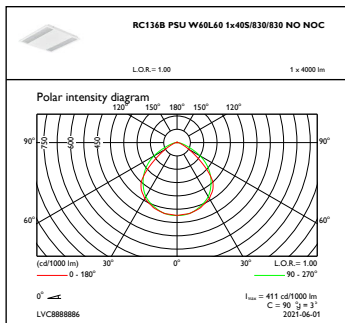
CoreLine Recessed RC134B/RC135B

Photometric data



IFGU1_

IFGU1_



OFPC1_

OFPC1_

CoreLine Recessed

Photometric data

