

# MONA 4

W0JP05533

LED luminaire MONA 4, with a power of 27 W. It is made of high-quality components, supported by a 5-year warranty. It also stands out for its very high colour rendering index RA>95. Narrow beam angle 60° gives directional light so that selected objects or surfaces can be better exposed. Designed for recessed mounting.

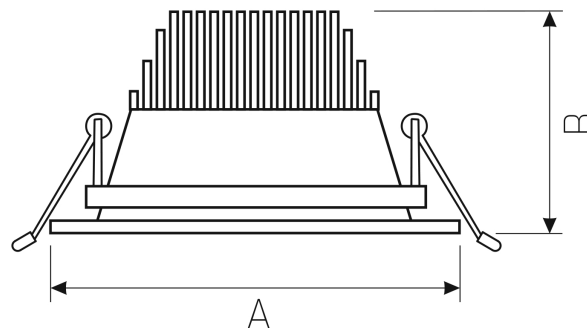


Power **27 W**  
Colour of light **CHEESE**  
Degree of protection (IP) **IP20**

Voltage **230 V**  
Beam angle **60 °**


## Technical data

|                              |                |
|------------------------------|----------------|
| Code                         | WQJP05533      |
| Power                        | 27 W           |
| Nominal current              | 129 mA         |
| Voltage                      | 230 V          |
| Energy consumption           | 27 kWh/1000h   |
| Frequency                    | 50HZ Hz        |
| Protection class             | II             |
| Power supply included        | +              |
| Manufacturer of power supply | BOKE           |
| Power factor                 | 0.93           |
| Useful luminous flux*        | 2565 lm (360°) |
| Luminous flux**              | 2295 lm (360°) |
| Lamp efficacy                | 95 lm/W        |
| Colour of light              | CHEESE         |
| Beam angle                   | 60 °           |
| RA                           | 95             |
| Light source included        | +              |
| Producer of LED diodes       | CITIZEN        |
| Uniformity of color SDCM max | 3              |
| Dimmable                     | 1-10V          |
| Working temperature range    | -20/+40 °      |
| Lifespan                     | 50000 h        |
| Housing material             | Aluminum       |
| Degree of protection (IP)    | IP20           |
| Colour                       | White          |
| Dimension (AxBxC)            | 193x130 mm     |
| Mounting hole                | Ø160 mm        |
| For use                      | Inside         |
| Assembly method              | Recessed       |
| Application                  | Inside         |
| Made in                      | PL             |



## Related documents



 Photometric file