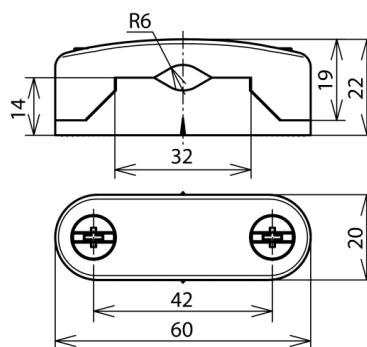


### LH 6.13 FL30 B10 K GR (277 130)



Figure without obligation



Type	LH 6.13 FL30 B10 K GR
Part No.	277 130
Conductor support Rd / Fl	6-13 / 30 x 4 mm
Fixing	Ø10 and 6 x 19 mm
Material	plastic
Colour	grey
Screw	⚙ M6 x 16 mm
Material of screw	StSt
Type	UV stabilised
Weight	28 g
Customs tariff number	85389099
GTIN	4013364022669
PU	50 Stk

We reserve the right to introduce changes in performance, configuration and technology, dimensions, weights and materials in the course of technical progress. The figures are shown without obligation.