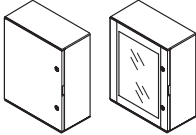
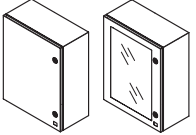
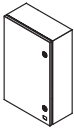
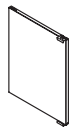

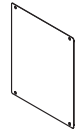
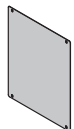

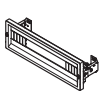
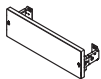
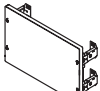
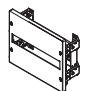
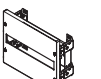
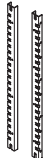


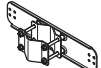




| |  QP-IP66 |  QM-IP55 |  QX-IP55 |  Fe |  UP |  |  |  |
|----------------------|--|--|--|---|---|---|---|---|
| 300x250x160 | GW 46 001F GW 46 201F | GW 46 031 | | | | GW 46 401 | GW 46 408 | GW 46 461 |
| 425x310x160 36M | GW 46 001F GW 46 202F | GW 46 032 GW 46 232 | GW 46 052 | GW 46 564 | GW 46 414 | GW 46 402 | GW 46 409 | GW 46 462 |
| 500x405x200 54M | GW 46 003F GW 46 203F | GW 46 033 GW 46 233 | | GW 46 565 | GW 46 415 | GW 46 403 | GW 46 410 | GW 46 463 |
| 650x405x200 72M | GW 46 004F GW 46 204F | GW 46 034 GW 46 234 | GW 46 054 | GW 46 566 | GW 46 416 | GW 46 404 | GW 46 411 | GW 46 464 |
| 650x515x250 96M | GW 46 005F GW 46 205F | GW 46 035 GW 46 235 | | GW 46 567 | GW 46 417 | GW 46 405 | GW 46 412 | GW 46 465 |
| 800x585x300 140M | GW 46 006F GW 46 206F | GW 46 036 GW 46 236 | GW 46 056 | GW 46 568 | GW 46 418 | GW 46 406 | GW 46 413 | GW 46 466 |
| 1060x800x350 180M | GW 46 007F GW 46 207F | GW 46 037 GW 46 237 | | GW 46 569 | GW 46 419 | GW 46 407 | | GW 46 467 |

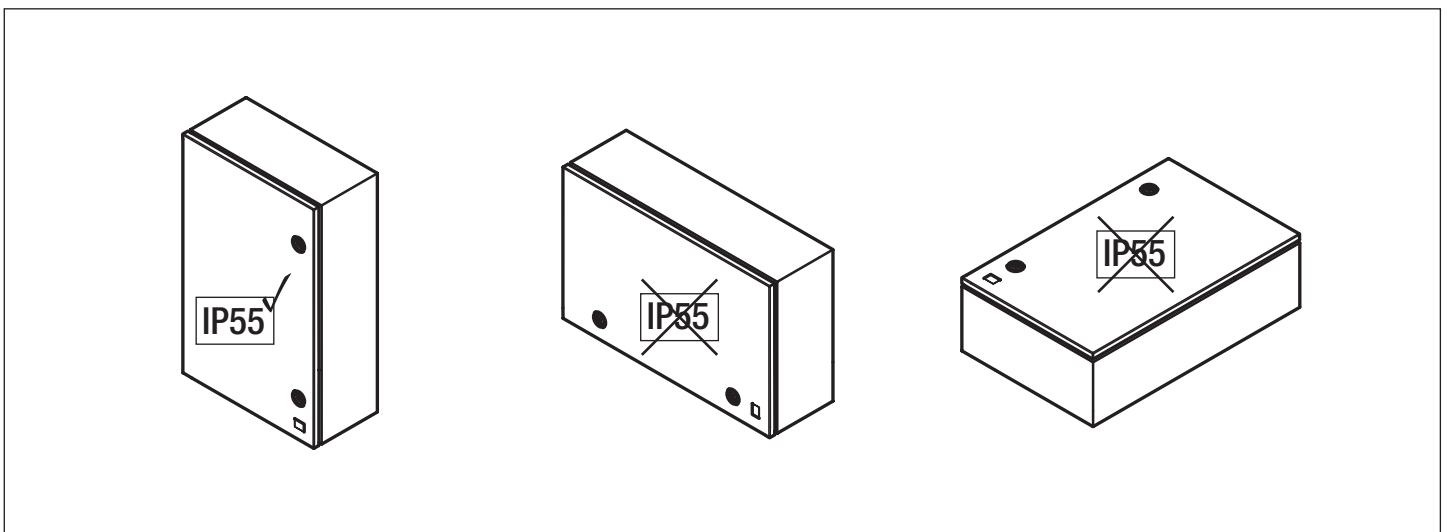
| |  |  |  |  |  |  |  |  |  |
|----------------------|---|---|---|---|---|--|---|---|---|
| 300x250x160 | | | | | | | | | GW 46 551 |
| 425x310x160 36M | GW 46 420F | GW 46 425F | GW 46 475F | | | GW 46 435F | GW 46 530F | GW 46 430F | GW 46 552 |
| 500x405x200 54M | GW 46 421F | GW 46 526F | GW 46 476F | GW 46 570F | | GW 46 436F | GW 46 531F | GE 46 431F | GW 46 553 |
| 650x405x200 72M | GW 46 421F | GW 46 426F | GW 46 476F | GW 46 570F | | GW 46 437F | GW 46 531F | GW 46 431F | GW 46 553 |
| 650x515x250 96M | GW 46 422F | GW 46 427F | GW 46 477F | GW 46 571F | GW 46 577F | GW 46 437F | GW 46 532F | GW 46 432F | GW 46 554 |
| 800x585x300 140M | GW 46 423F | GW 46 428F | GW 46 478F | GW 46 572F | GW 46 578F | GW 46 438F | GW 46 533F | GW 46 433F | GW 46 555 |
| 1060x800x350 180M | GW 46 424F | GW 46 429F | GW 46 479F | GW 46 573F | GW 46 579F | GW 46 439F | GW 46 534F | GW 46 434F | |



| | | | | |
|----------------------|-----------|-----------|-----------|-----------|
| | | | | |
| 300x250x160 | | | | |
| 425x310x160 36M | GW 46 540 | GW 46 580 | GW 46 440 | GW 46 480 |
| 500x405x200 54M | GW 46 541 | GW 46 581 | GW 46 441 | GW 46 481 |
| 650x405x200 72M | GW 46 541 | GW 46 581 | GW 46 441 | GW 46 481 |
| 650x515x250 96M | GW 46 542 | GW 46 582 | GW 46 442 | GW 46 482 |
| 800x585x300 140M | GW 46 543 | GW 46 583 | GW 46 443 | GW 46 483 |
| 1060x800x350 180M | GW 46 544 | GW 46 584 | GW 46 444 | GW 46 484 |

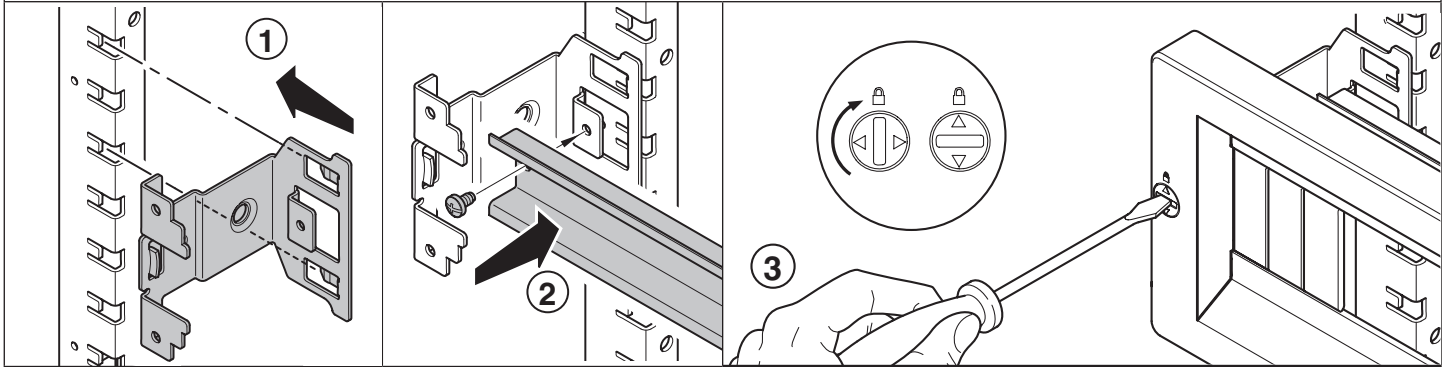
| | | |
|-----------|-----------|---|
| | | <p>GW 46 557F</p> <p>GW 46 446 Fe/Zn GW 46 451 INOX</p> |
| GW 46 447 | GW 46 448 | |
| | | <p>GW 46 591</p> |
| GW 46 449 | GW 46 445 | |

| | M8 | M6 | M4 | Ø8 | Ø6 | M6 | M4 | | | | | | | | | | |
|-------------------------------------|----|----|----|----|----|----|-----|---|---|---|---|---|---|---|---|---|--|
| | | | | | | | | | | | | | | | | | |
| | A | B | C | D | E | F | G+S | H | I | L | M | N | O | P | Q | R | |
| GW 46 031 | 8 | 7 | | 8 | 7 | | | | | 4 | 3 | | 1 | 4 | 2 | 1 | |
| GW 46 032 GW 46 052 GW 46 232 | 8 | 6 | | 8 | 6 | | 4 | | | 4 | 2 | 4 | 1 | 4 | 6 | 1 | |
| GW 46 033 GW 46 233 | 8 | 7 | | 8 | 7 | | 4 | | | 4 | 3 | 4 | 1 | 4 | 6 | 1 | |
| GW 46 034 GW 46 054 GW 46 234 | 8 | 7 | | 8 | 7 | | 4 | | | 4 | 3 | 4 | 1 | 4 | 6 | 1 | |
| GW 46 035 GW 46 235 | 4 | 7 | 6 | 4 | 7 | 4 | 4+6 | 4 | 4 | | 3 | 4 | 1 | 4 | 6 | 1 | |
| GW 46 036 GW 46 056 GW 46 236 | 4 | 7 | 6 | 4 | 7 | 4 | 4+6 | 4 | 4 | | 3 | 4 | 1 | 4 | 7 | 1 | |
| GW 46 037 GW 46 237 | 4 | 7 | 6 | 4 | 7 | 4 | 4+6 | 4 | 4 | | 3 | 4 | 1 | 4 | 7 | 1 | |

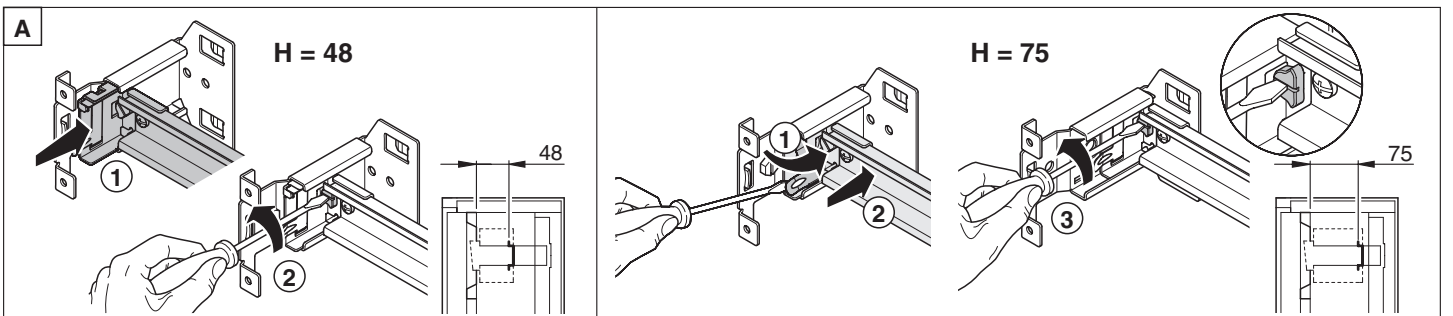
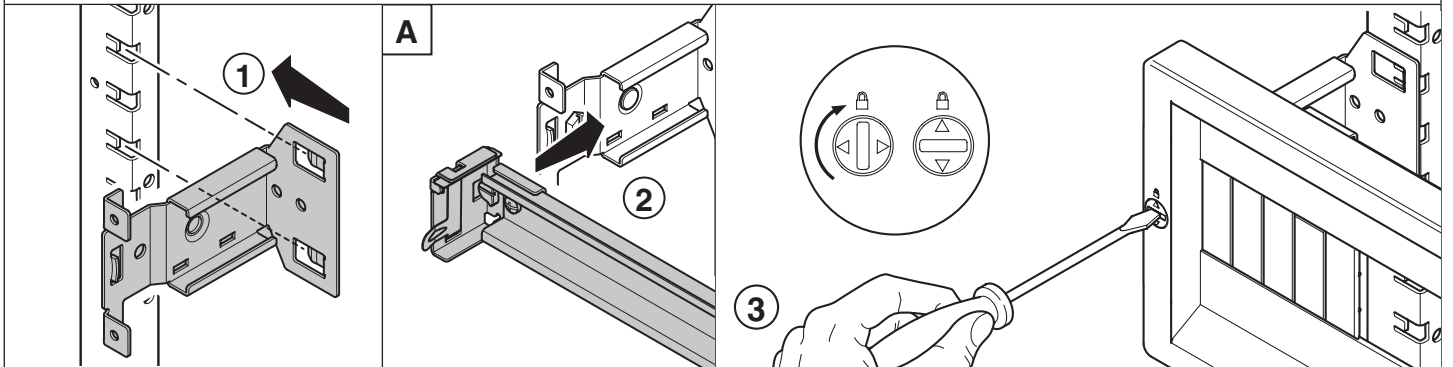




GW 46 032 - GW 46 232



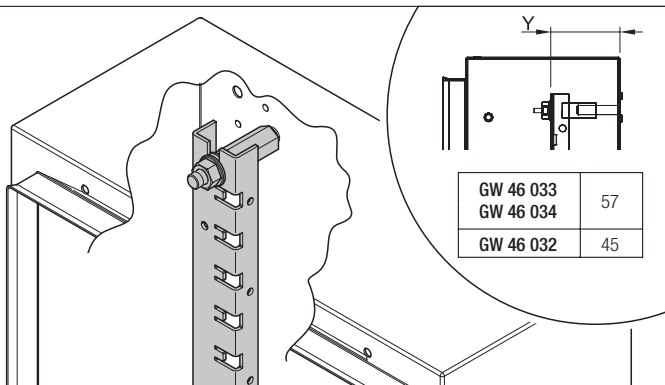
GW 46 033 GW 46 034 GW 46 035 GW 46 036 GW 46 037
 GW 46 233 GW 46 234 GW 46 235 GW 46 236 GW 46 237



GW 46 032
 GW 46 033
 GW 46 034

GW 46 232
 GW 46 233
 GW 46 234

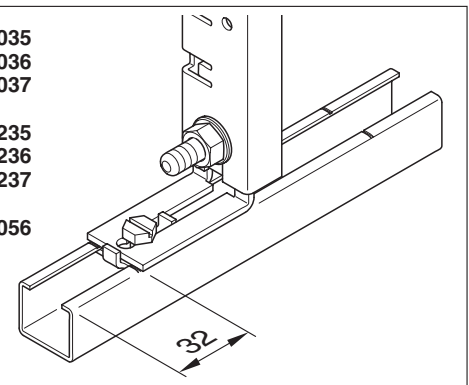
GW 46 052
 GW 46 054

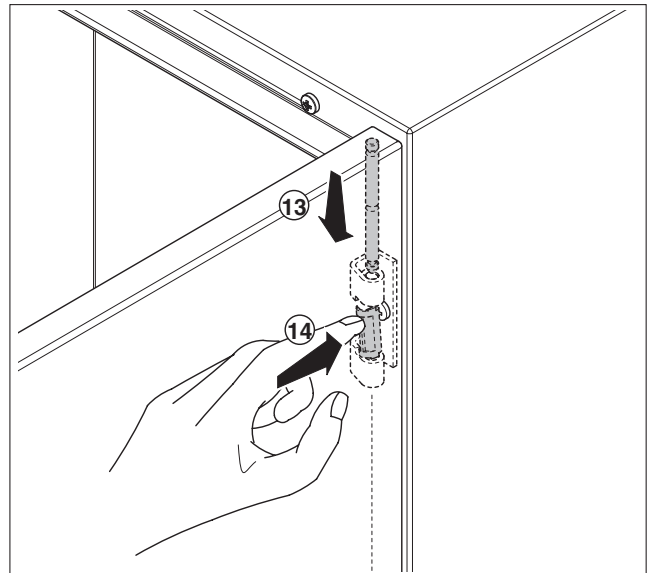
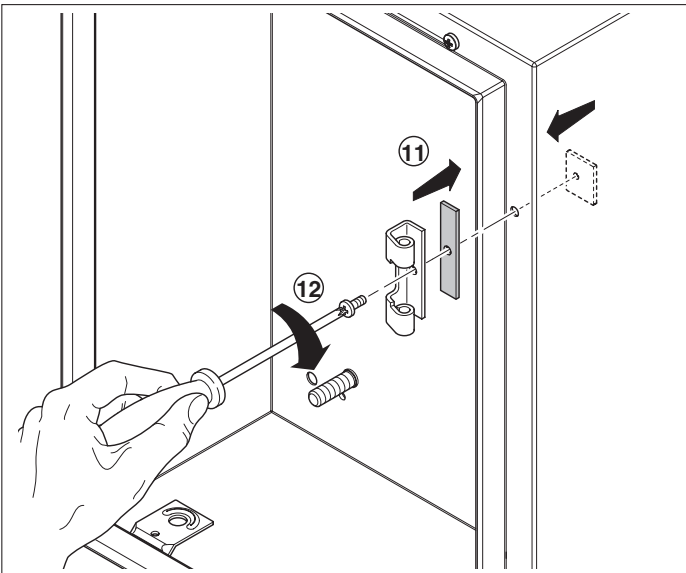
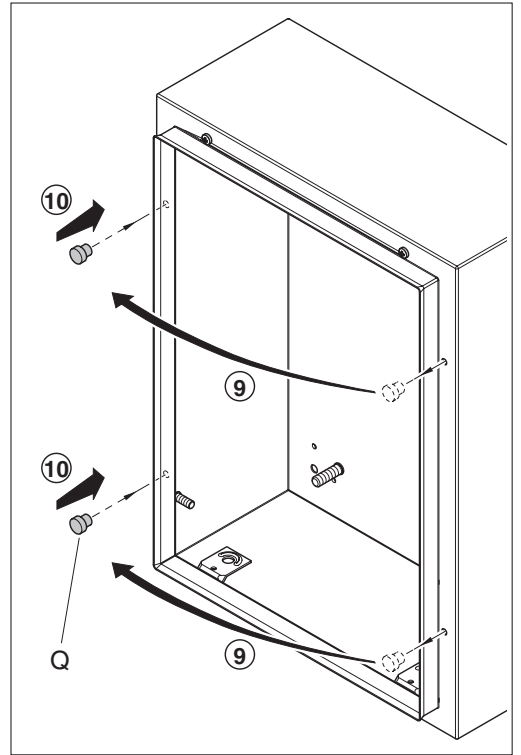
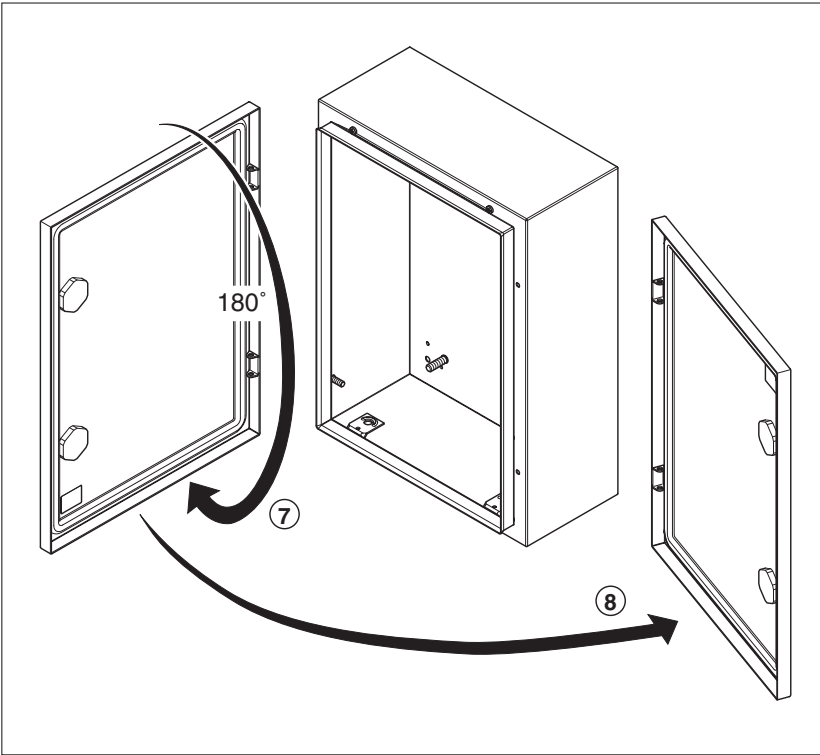
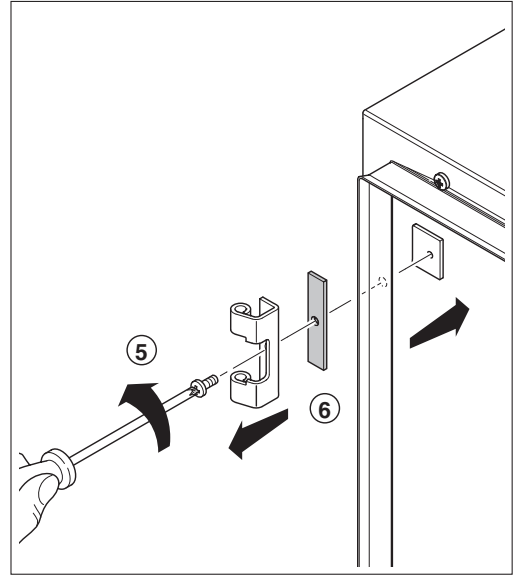
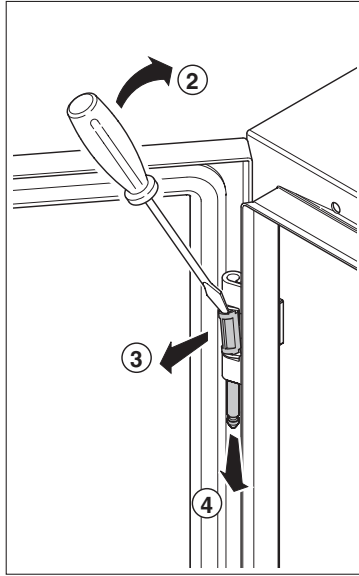
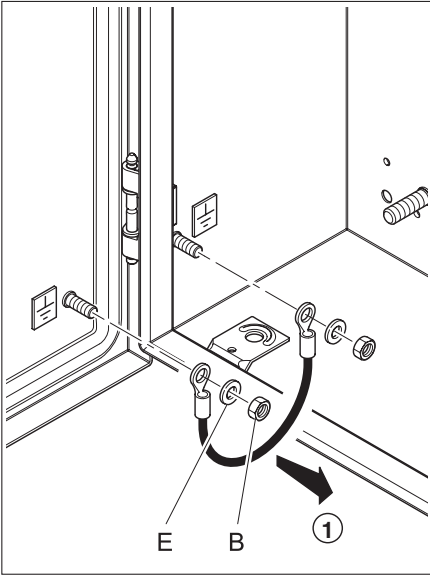


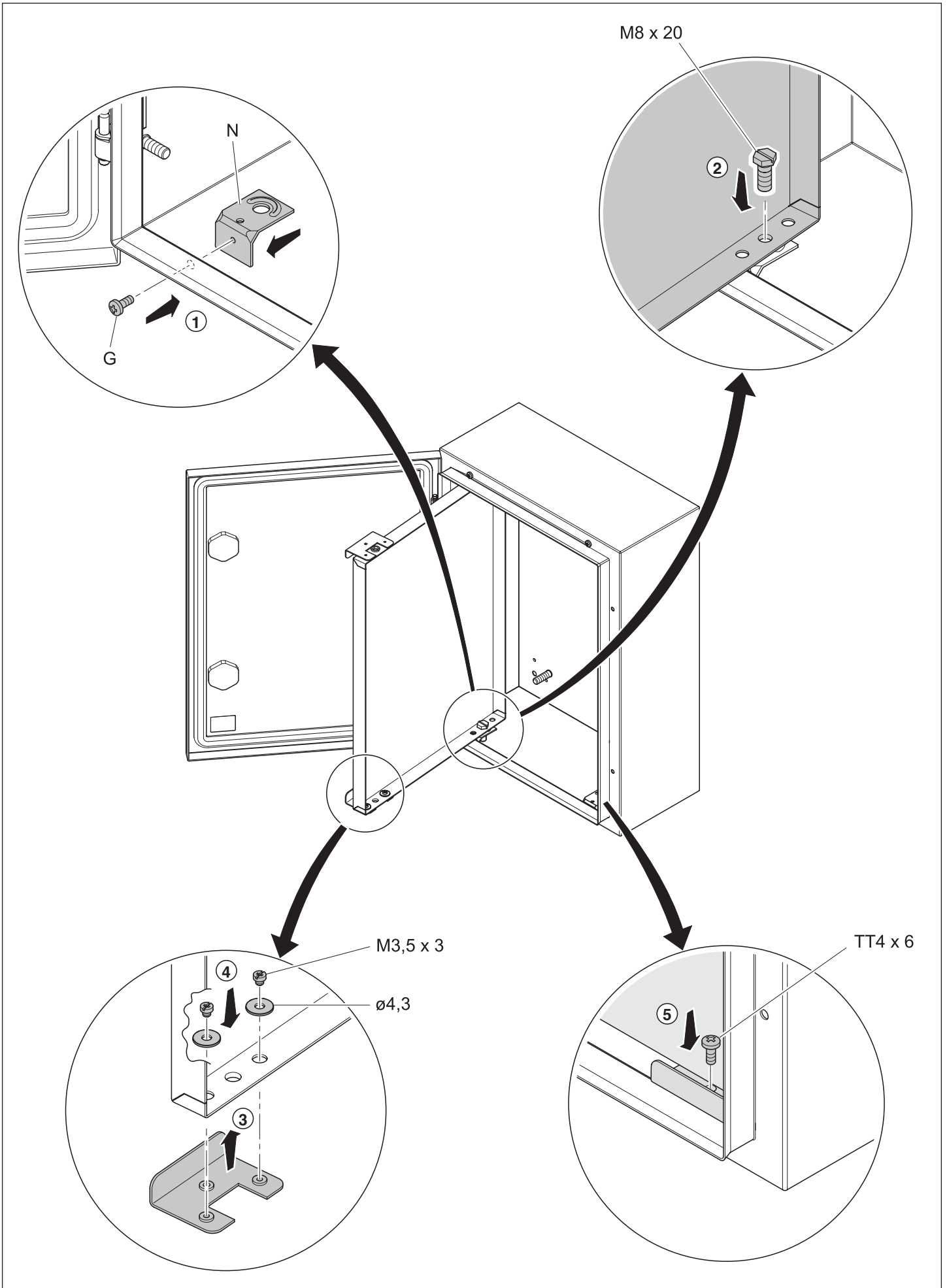
GW 46 035
 GW 46 036
 GW 46 037

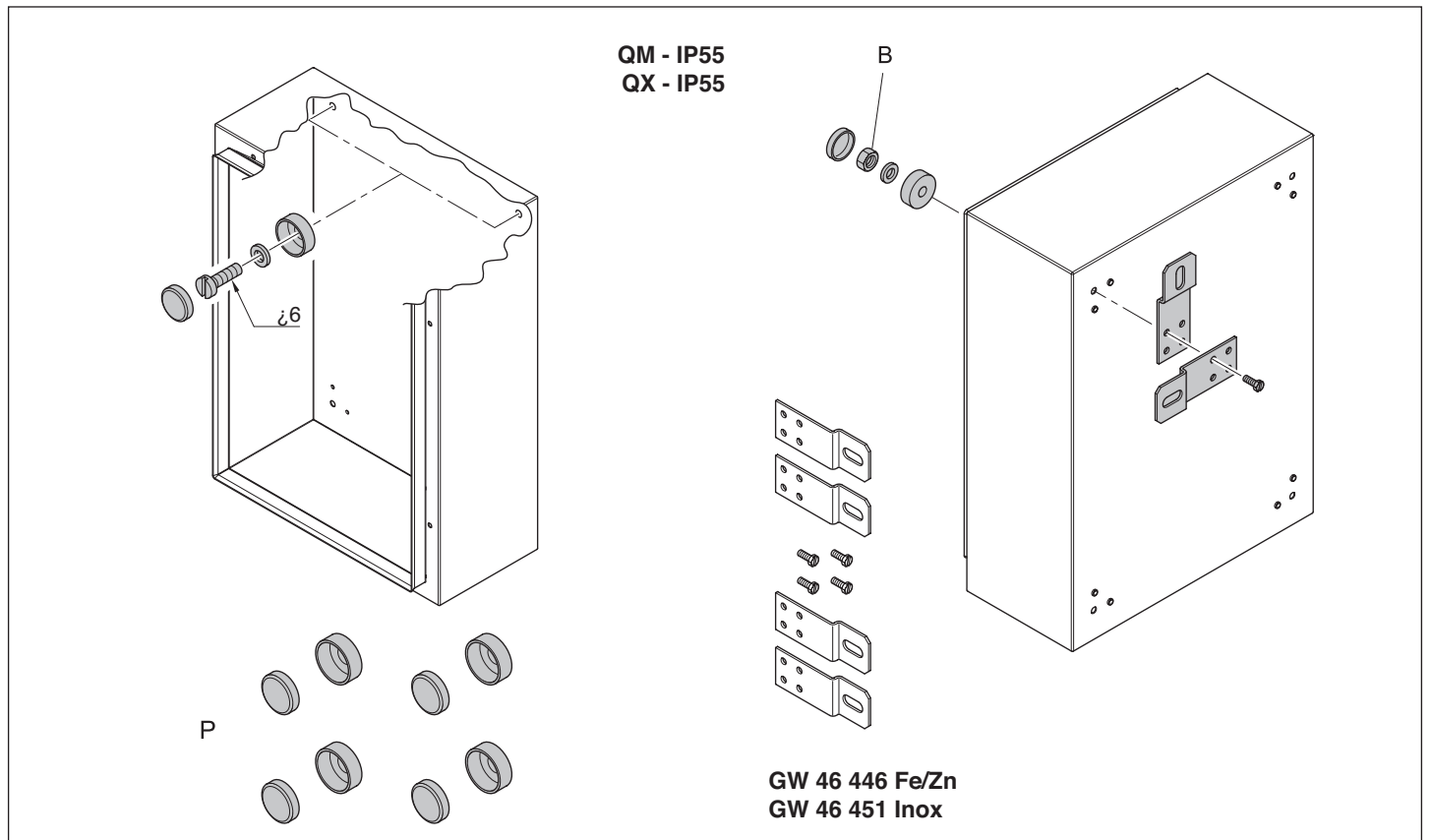
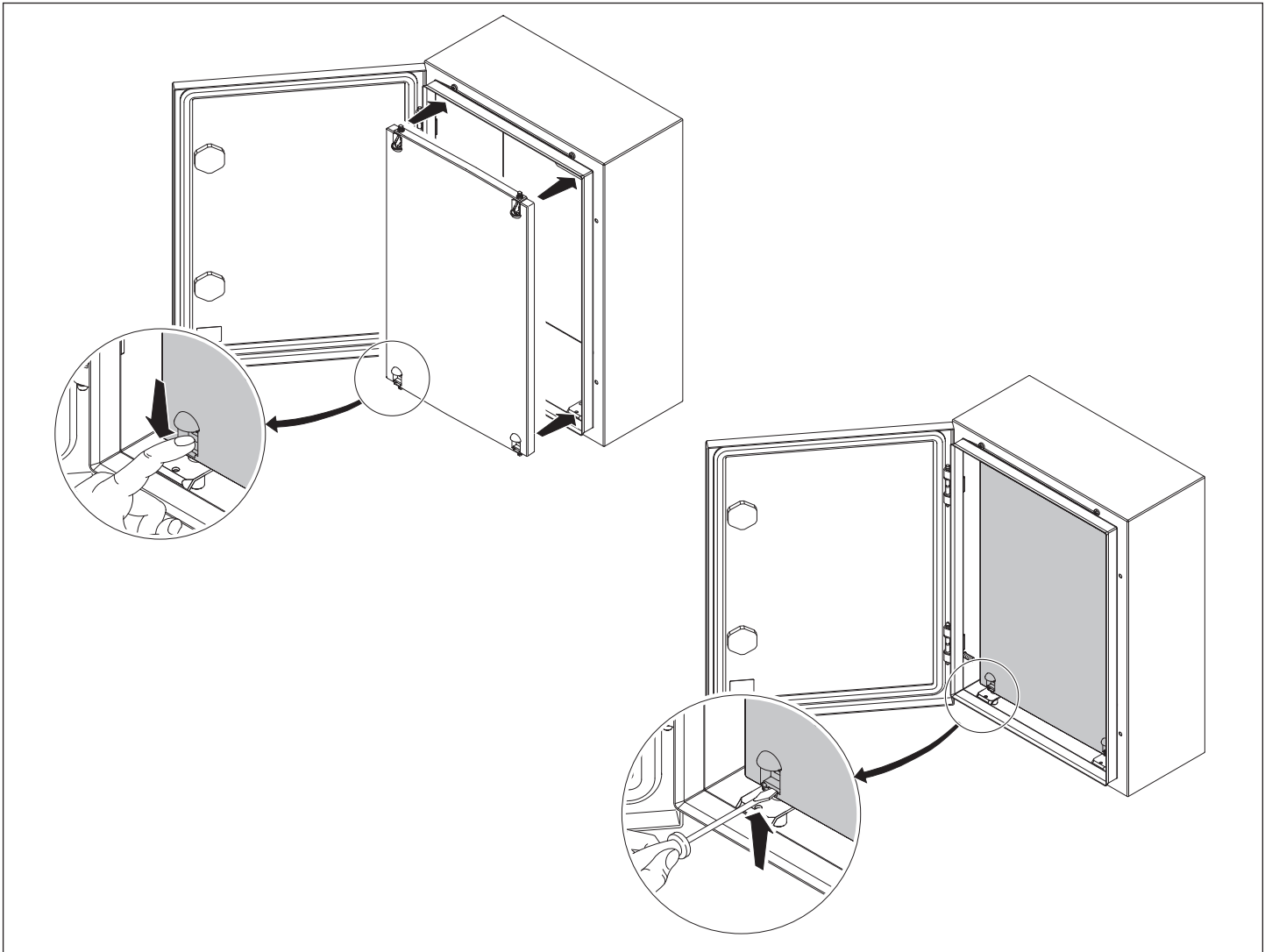
GW 46 235
 GW 46 236
 GW 46 237

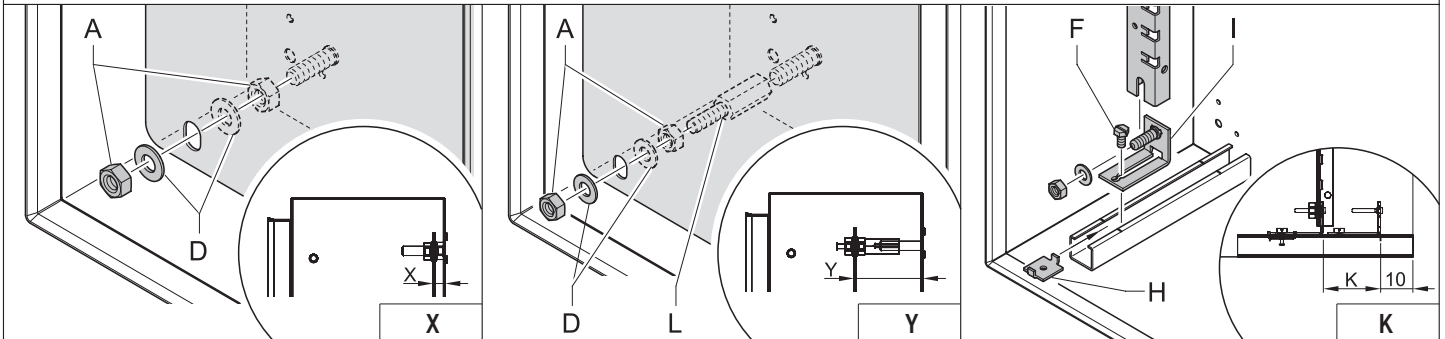
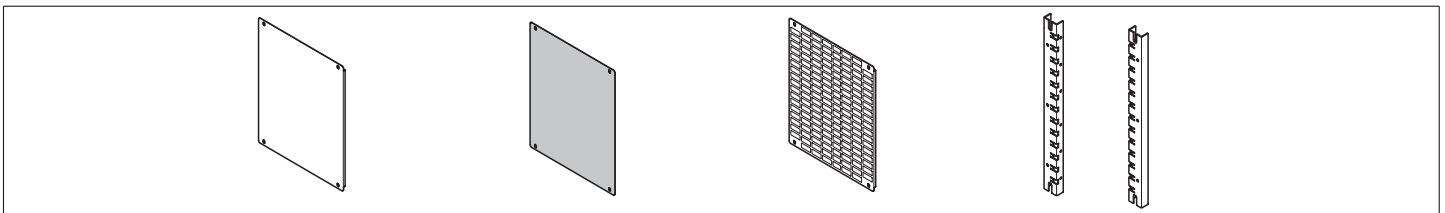
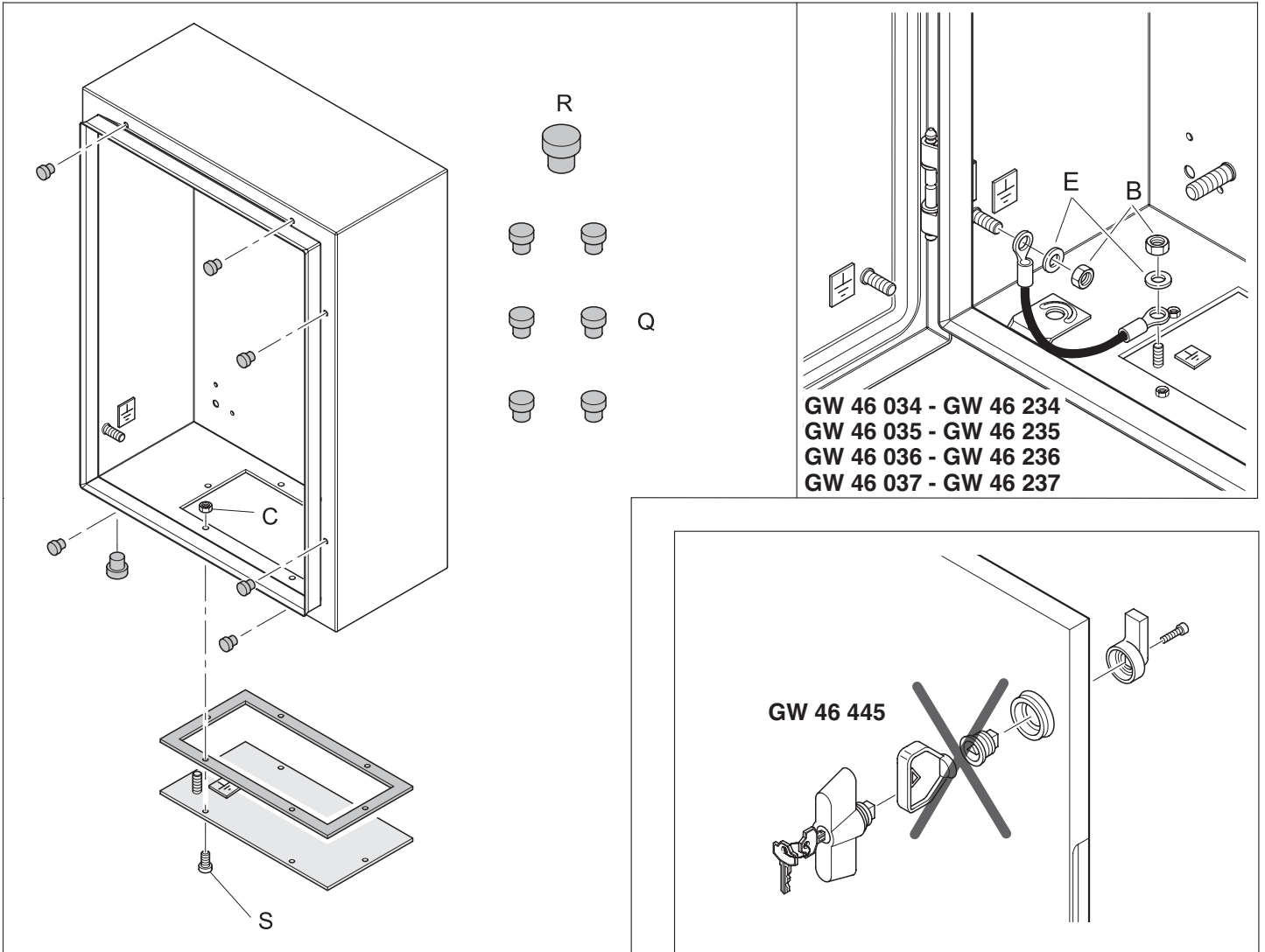
GW 46 056







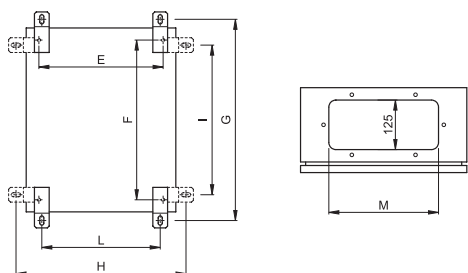
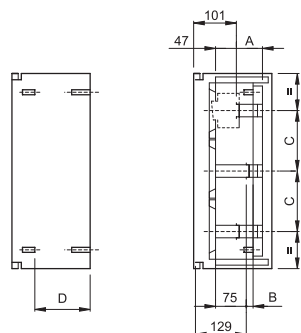
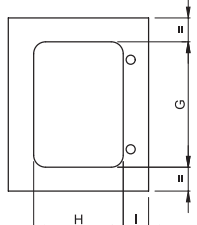
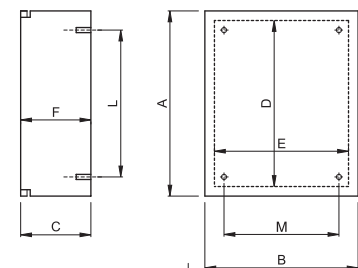




| | | | | | | | | | | | |
|-----------|-----------|-----------|------|-----------|-----------|-----------|-------|-----------|-----------|-----------|-----|
| GW 46 031 | - | - | | GW 46 031 | - | - | | GW 46 035 | GW 46 235 | - | 175 |
| GW 46 033 | GW 46 233 | - | 0÷31 | GW 46 033 | GW 46 233 | - | 50÷69 | GW 46 036 | GW 46 236 | GW 46 056 | 225 |
| GW 46 034 | GW 46 234 | GW 46 054 | | GW 46 034 | GW 46 234 | GW 46 054 | | GW 46 037 | GW 46 237 | - | 275 |
| GW 46 032 | GW 46 232 | GW 46 052 | 0÷19 | GW 46 032 | GW 46 232 | GW 46 052 | 38÷57 | - | - | - | - |

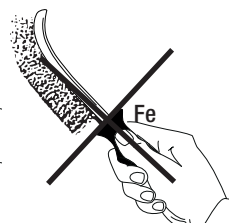
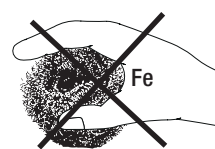
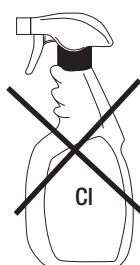
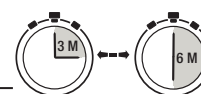


QM - IP55 / QX - IP55



| | GW 46 031 | GW 46 032 GW 46 232 | GW 46 033 GW 46 233 | GW 46 034 GW 46 234 | GW 46 035 GW 46 235 | GW 46 036 GW 46 236 | GW 46 037 GW 46 237 | GW 46 052 | GW 46 054 | GW 46 056 |
|---|-----------|------------------------|------------------------|------------------------|------------------------|------------------------|------------------------|-----------|-----------|-----------|
| A | 296 | 420 | 495 | 645 | 645 | 795 | 1045 | 420 | 645 | 795 |
| B | 246 | 309 | 402 | 402 | 510 | 582 | 762 | 309 | 402 | 582 |
| C | 160 | 160 | 200 | 200 | 250 | 300 | 350 | 160 | 200 | 300 |
| D | 256 | 380 | 455 | 605 | 605 | 755 | 1005 | 380 | 605 | 755 |
| E | 206 | 269 | 362 | 362 | 470 | 542 | 722 | 269 | 362 | 542 |
| F | 157 | 157 | 197 | 197 | 247 | 297 | 347 | 157 | 197 | 297 |
| G | - | 320 | 370 | 520 | 520 | 660 | 850 | - | - | - |
| H | - | 165 | 253 | 253 | 366 | 430 | 582 | - | - | - |
| I | - | 80 | 80 | 80 | 80 | 80 | 90 | - | - | - |
| L | 203 | 327 | 402 | 552 | - | - | - | 327 | 552 | - |
| M | 141 | 202 | 297 | 297 | - | - | - | 202 | 297 | - |

| | GW 46 031 | GW 46 032 GW 46 232 | GW 46 033 GW 46 233 | GW 46 034 GW 46 234 | GW 46 035 GW 46 235 | GW 46 036 GW 46 236 | GW 46 037 GW 46 237 | GW 46 052 | GW 46 054 | GW 46 056 |
|---|-----------|------------------------|------------------------|------------------------|------------------------|------------------------|------------------------|-----------|-----------|-----------|
| A | - | 55 | 95 | 95 | 145 | 195 | 245 | 55 | 95 | 195 |
| B | - | 27 | 67 | 67 | 117 | 167 | 217 | 27 | 67 | 167 |
| C | - | 125 | 150 | 150 | 150 | 150 | 200 | 125 | 150 | 150 |
| D | 65 | 65 | 65 | 65 | 200 | 250 | 300 | 65 | 65 | 250 |
| E | 191 | 254 | 347 | 347 | 453 | 527 | 699 | 254 | 347 | 527 |
| F | 228 | 352 | 427 | 577 | 577 | 725 | 968 | 352 | 577 | 725 |
| G | 348 | 472 | 547 | 697 | 695 | 845 | 1088 | 472 | 697 | 845 |
| H | 311 | 374 | 467 | 467 | 573 | 643 | 819 | 374 | 467 | 643 |
| I | 208 | 332 | 407 | 557 | 557 | 705 | 948 | 332 | 557 | 705 |
| L | 171 | 234 | 327 | 327 | 433 | 507 | 679 | 234 | 327 | 507 |
| M | - | - | - | 270 | 270 | 335 | 335 | - | 270 | 335 |



Punto di contatto indicato in adempimento ai fini delle direttive e regolamenti UE applicabili:

Contact details according to the relevant European Directives and Regulations:

GEWISS S.p.A. Via A.Volta, 1 IT-24069 Cenate Sotto (BG) Italy tel: +39 035 946 111 E-mail: qualitymarks@gewiss.com



+39 035 946 111
8.30 - 12.30 / 14.00 - 18.00
lunedì - venerdì - monday - friday



+39 035 946 260



sat@gewiss.com
www.gewiss.com